

24406 - 1/4"	20x1-1/2"
24455 - 1/4"	20x2"
24463 - 1/4"	20 x 3"
24414 - 5/16"	18x2"
24422 - 5/16"	18x2-1/2"
24430 - 5/16"	18 x 3
24448 - 3/8"	16x3"

FEATURES:

- made from steel
- diameters in 1/4, 5/16 and 3/8"
- lengths of 1-1/2", 2, 2-1/2 and 3"
- can be used with teenuts, threaded inserts, corner braces and clinch nut plates
- can be used with steel corner braces or clinch nut plates for table leg and rail construction

APPLICATIONS:

A hanger bolt that can be used with various types of fasteners to give stability and strength to leg and rail construction.

INSTALLATION:

Note: The procedure of installation will vary for each type of fastening device used with the hanger bolts. The following steps are for the hanger bolt installation into wooden legs.

1. Determine position of hanger bolt, mark and indent location.
2. Drill pilot holes (See Chart A and Fig. 1) for size and depth of hole.
3. Install hanger bolt. (See Fig. 3)

Note: Put two (2) nuts on the hanger bolt and tighten them against each other. You now can use a wrench on the nuts and turn the bolt into the pilot hole. Paraffin or soap may be used as a lubricant for this step.

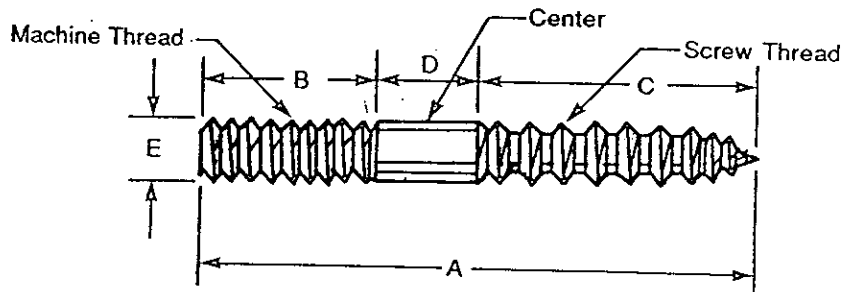
SPECIFICATIONS:

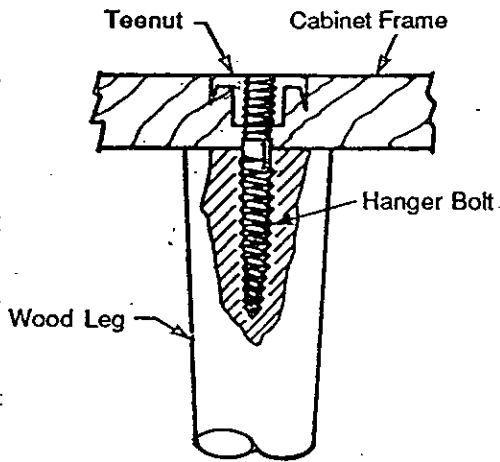
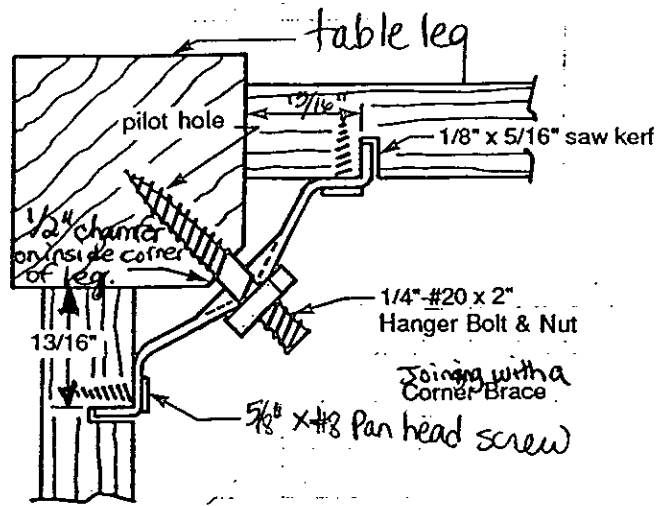
Drawing and Chart Fig. 1

<u>Dimensions</u>	<u>24406</u>	<u>24455</u>	<u>24463</u>	<u>24414</u>	<u>24422</u>	<u>24430</u>	<u>24448</u>
Length A	1-1/2"	2"	3"	2"	2-1/2"	3"	3"
Machine Threading B	1/2"	3/4"	7/8"	3/4"	3/4"	7/8"	1-1/6"
Lag Thread Length C	11/16"	15/16"	1-5/8"	7/8"	1-3/8"	1-9/16"	1-9/16"
Center D	5/16"	5/16"	1/2"	3/8"	3/8"	3/8"	3/8"
Diameter E	1/4"	1/4"	1/4"	5/16"	5/16"	3/8"	3/8"
Machine Threads	#20	#20	#20	#18	#18	#16	#16

Softwood Hardwood

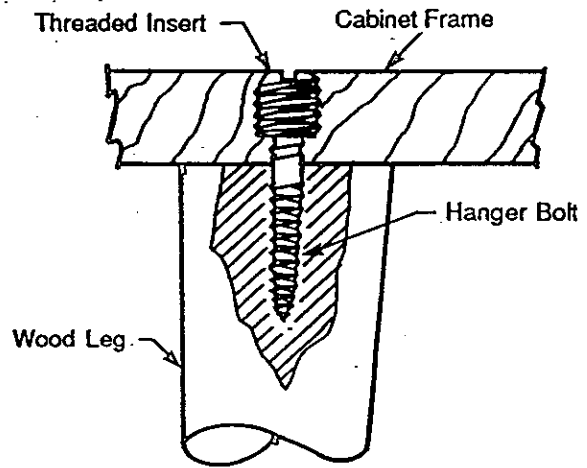
1/4"	7/32"	15/64"
5/16"	9/32"	19/64"
3/8"	11/32"	23/64"





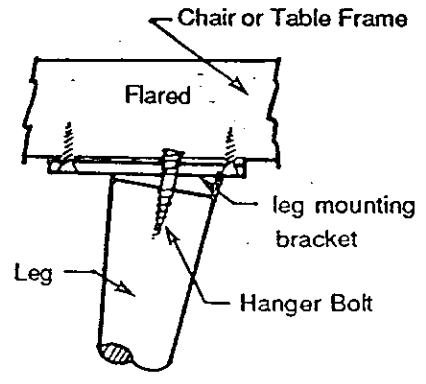
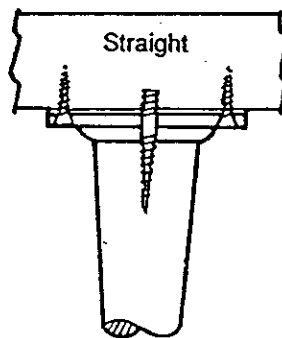
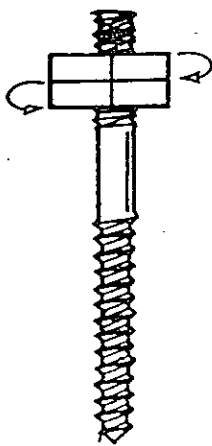
Joining Legs to Wood or Metal Frame

A.



Joining With a Threaded Insert

B.



Joining With A Mounting Bracket