

# PRECISION KNIFE HINGE (L-STYLE)

26260-286

26260 - 5/8" x 1-3/8"

26278 - 3/8" x 1-7/8"

26286 - 1/2" x 2-1/4"

## FEATURES:

- made of solid brass stock
- for flush inset doors
- 240° door opening for doors overlaying cabinet sides
- heavy duty with take-a-part feature
- requires mortising for inset of hinge leaves
- use 5/15" hinge (26260) for small doors up to 12" x 48"
- use 3/8" hinge (26278) for medium doors up to 24" x 36"
- use 1/2" hinges (26286) for large, heavy, full-length doors with glass or wardrobe doors with mirrors

## APPLICATIONS:

A hinge that gives clean lines for finely crafted pieces of contemporary furniture.

## SPECIFICATIONS:

## INSTALLATION:

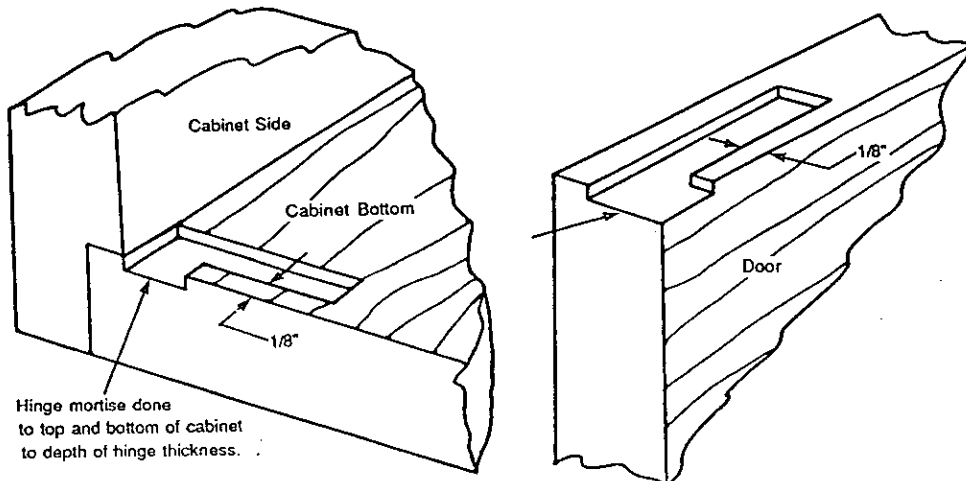
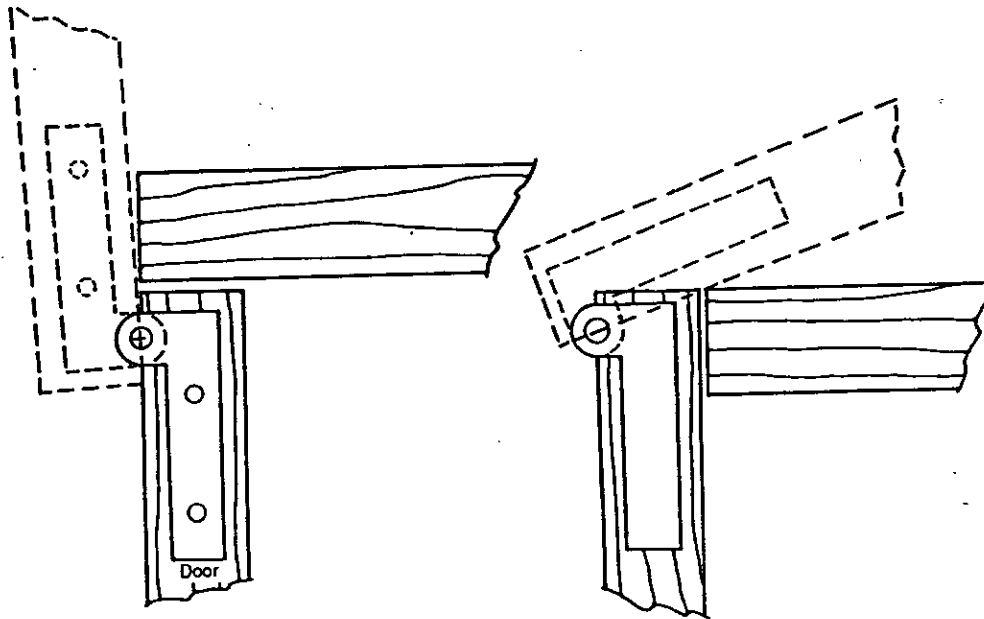
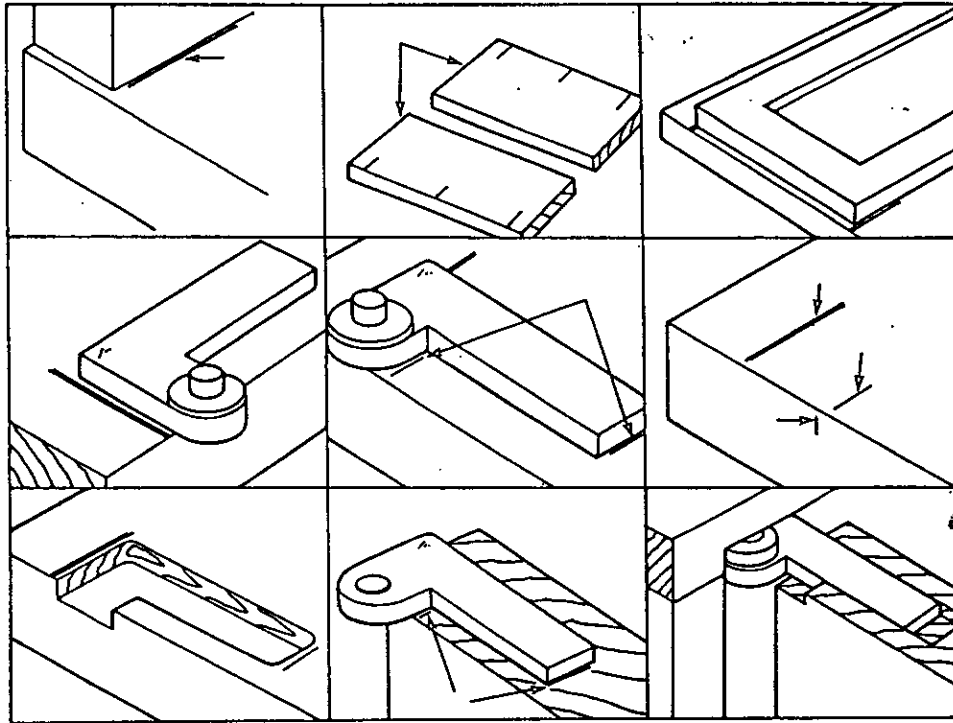
Introduction: This hinge can be used for inset and modified overlay doors. Figure 2 shows inset application and figure 3 shows overlay application. Overlay construction has top and bottom cabinet members extended 3/4" beyond front edges of cabinet sides. The following instructions will show how these hinges are installed in an inset application.

### WIDE L KNIFE HINGE FOR INSET DOOR (NO FACE FRAMING)

1. Cut out cabinet sides & top and bottom to specified dimensions. Using either the rabbet, dowel butt or tongue and groove joint methods for assembly of cabinet members.
2. Dry assemble cabinet and hold sides, top and bottom together by using strap or band clamps, or other available clamps that can hold cabinet parts together.
3. Cut door to fit cabinet opening with a light friction fit. Now reduce door size dimensions by machining 1/8" off width and length.
4. Determine whether door is to be hinged right or left. Place separated hinge leaf with pine on lower corners of cabinet where hinge is to be installed. Position leaf to dimensions as shown in figure 1. Hold or clamp hinge leaf in correct location and mark outline of hinge with pencil onto cabinet top. Repeat operation for top of cabinet after turning cabinet upside down.
5. Disassemble cabinet and chisel out mortise to thickness of hinge leaf. A router with straight bit sized to hinge width can be used. Complete mortising will look like figure 3.
6. Dry assemble cabinet and hold together with strap clamps. Place hinge leaf with pine into mortises (upper/lower). Drill pilot and shank holes and attach leaf to cabinet with screws provided.
7. Clamp door in woodworkers vise. Place hinge leaf with hole on corner of door positioned 1/8" from door outside face and l part flush to edge of door. With hinge being held securely or clamped, mark outline of hinge with a sharp pencil. (See Fig. 2)
8. Mortise door by use of hand chisel or router. (See Fig. 7)
9. Place hinge leaf in door mortises. Drill pilot and shank holes and attach leaf to door with screws.
10. Take out screws from both leafs of bottom hinge and remove hinge parts from mortises.
11. Assemble lower hinge. Place door up to cabinet opening (near vertical position). Engage upper hinge pin into hole of matching leaf. Keep slight upward pressure on door and carefully rotate door to 180 degree open position.
12. Assemble lower hinge and open hinge to 180 degree. Place hinge leafs into respective mortises. This is accomplished with lower part of door (180 degree) slightly pulled away from cabinet.
13. When hinge leafs are into respective mortises, secure hinge to door/cabinet with screws.
14. Check door for proper fit and alignment. If door adjustment is necessary, see special notes for further procedures.

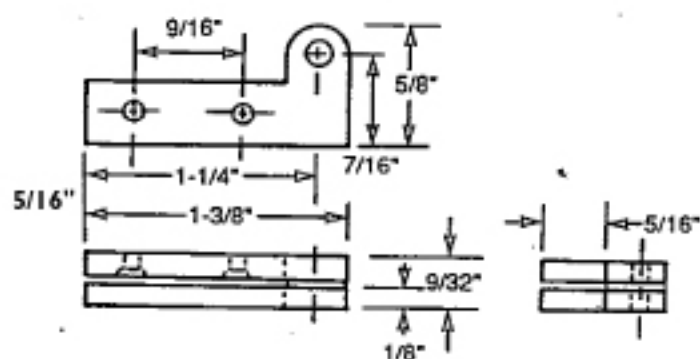
### \*Special Notes To Installer

1. If hinge offer resistance when door is pivoted; vertical clearance for hinges may need to be increased. Slightly loosen screws of hinge leafs in door mortises. If door movement now operates more freely, than increase slightly the depth of door mortises to correct problems.
2. If hinge edge of door has insufficient clearance to cabinet when closed, hinge leafs on door must be slightly reset outward of door edge.
3. It is suggested that when going through the hanging/adjustment procedure that substitute screws of steel be used as supplied brass screws will otherwise show wear and tear on screw slots.
4. If cabinet front edges need to be veneered with wood tape, this operation must be considered when hanging door. The preferred procedure would be to veneer cabinet edges prior to hanging door.

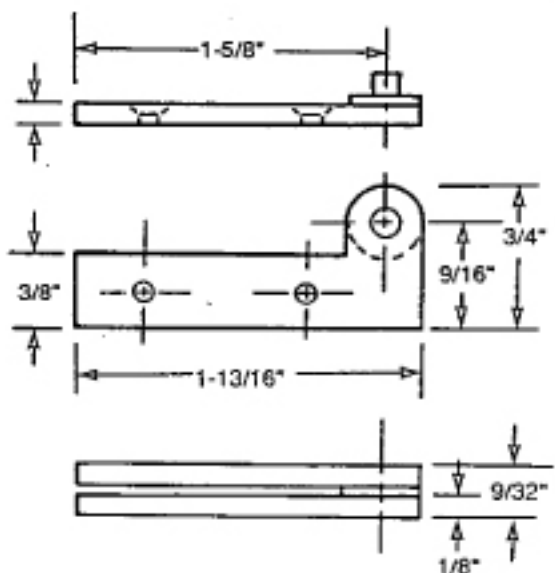


Hinge mortise done to top and bottom of cabinet to depth of hinge thickness.

26260



screws supplied 8 F.H. Brass #1 x 1/2"



screws supplied 8 F. H. Brass #4 x 3/4"

26278

26286

