

26534 - Single
26542 - Double

FEATURES:

- strong magnetic holding power
- catches have statuary bronze finish
- provided with installation screws and strike
- for installation on wood cabinets (case furniture)
- has floating magnetic plates
- double catch comes with 1 large strike plant and 2 small strike plates

APPLICATIONS:

A magnetic catch for single or double doors to hold free swinging doors secured in the closed position.

SPECIFICATIONS:

INSTALLATION:

Introduction: Magnetic catches can be installed on underside of shelf that is near the vertical center of door where front edge of shelf meets inner face of door in the closed position. When a center shelf cannot be used for mounting catch, then the best location would be to mount catch to bottom shelf of cabinet. Illustrations A & B are examples that show flush and lipped doors. When two (2) doors share a common cabinet opening, the double catch is used by straddling the meeting line of the two (2) doors. Strike plates should always contact the magnetic plates that extend out beyond the magnetic rubber core.

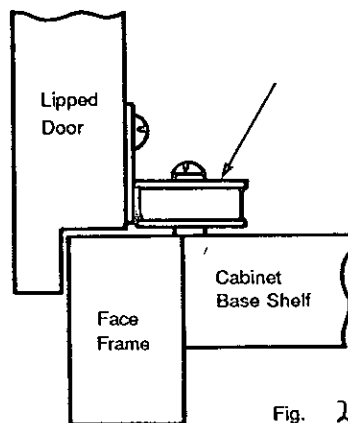
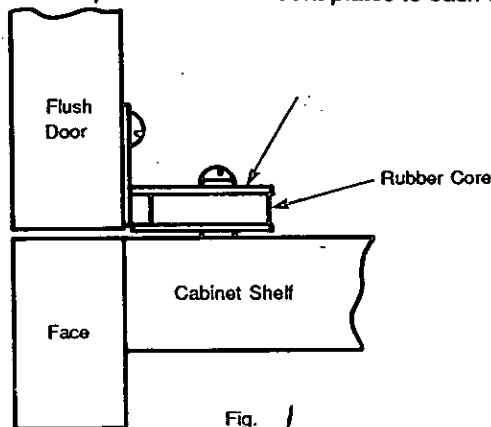
STEPS OF PROCEDURE

Single Door- (See Fig 1)

1. Position magnet and strike plate (attached) to be in line with inner face of door when in the closed position. Set magnetic catch approximately 1" from edge of door. Mark screw hole position with pencil or a scratch awl.
2. Drill pilot hole and attach magnet.
3. Drill strike plate pilot hole and attach to door.

Double Door- (See Fig 2)

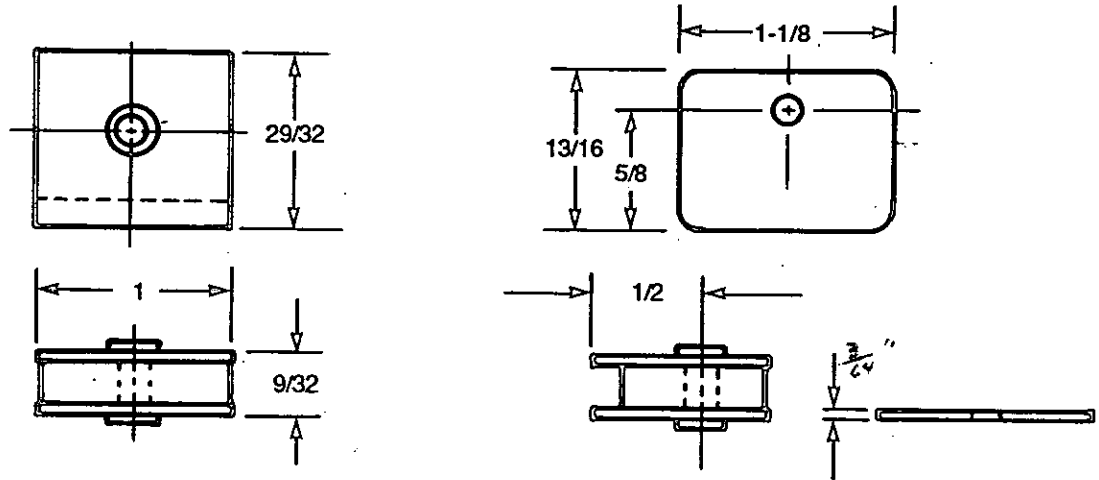
1. Place double magnetic catch to straddle door meeting line. Magnetic catch with strike plates attached to magnet should be in line with inner surface of door in the close position.
2. Mark screw hole locations with pencil or scratch awl.
3. Drill screw pilot holes and mount catch to cabinet.
4. Position strike plates on door to be lined up with catch when close. Mark strike plate screw centers with pencil.
5. Drill screw pilot holes and mount plates to each door.



SPECIFICATIONS:

26534-542

26534 - Single



26542 - Double

