

FEATURES:

- lock surface mounts to inside of chest
- lid released by pressing plunger
- lever tumbler lock furnished keyed alike
- furnished with one key
- stamped steel housing/cadmium plated
- antique brass finish
- for stock thickness of 3/4" to 7/8"
- screws supplied

APPLICATIONS:

A surface mounted locking device for use on cedar chests.

SPECIFICATIONS:

PLUNGER OPERATION: Turn key in lock cylinder clockwise one full turn to unlock. Lid is released by pressing plunger button at end of lock cylinder. In locked position, plunger button will not depress and release the strike.

INSTALLATION:

STEPS OF PROCEDURE

1. Layout center of lock cylinder on front of chest. Center of hole should be located 1-3/16" down from selvedge edge of chest. (See Fig. 2)
2. Bore 9/16" hole on center through front of chest.
3. Slide cylinder of lock through bored hole from inside of chest.
4. Align top of lock to chest edge.
5. Mark and drill pilot holes in four corners of lock flange for screws.
6. Attach lock to chest with supplied screws.
7. Unlock by turning key in tumbler one full turn clockwise. Place strike into lock throat opening. Strike when engaged to lock will have mounting plate aligned to lock body.
8. Lower lid until underside of lid presses against strike plate mounting prongs. Press lid against prongs until an impression is made to underside of lid.
9. Raise lid and remove strike from lock. Place strike into prong marks on underside of lid. Make certain strike position is not turned 180° out of alignment.
10. Drill pilot holes for strike and attach strike to front inside of lid.

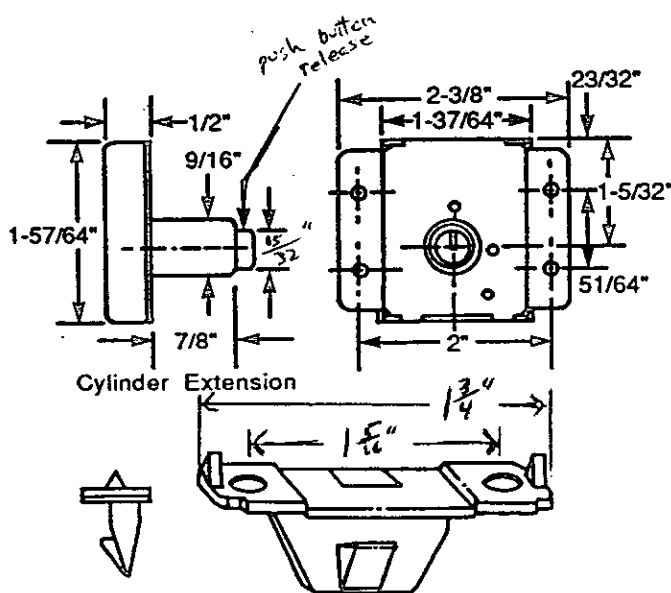
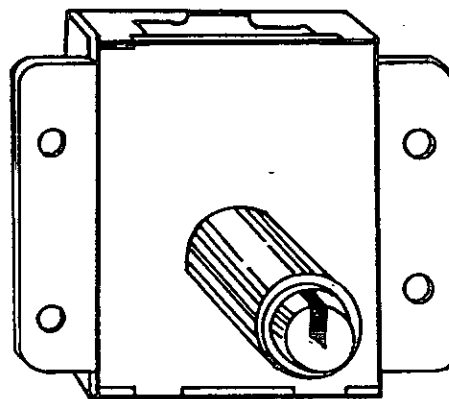
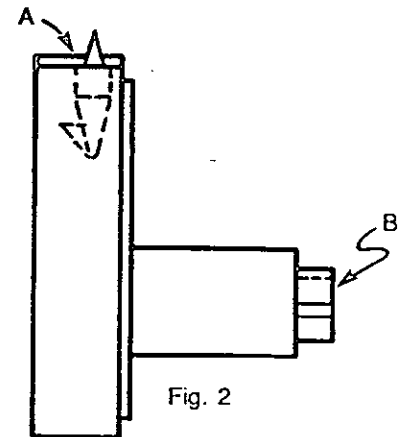
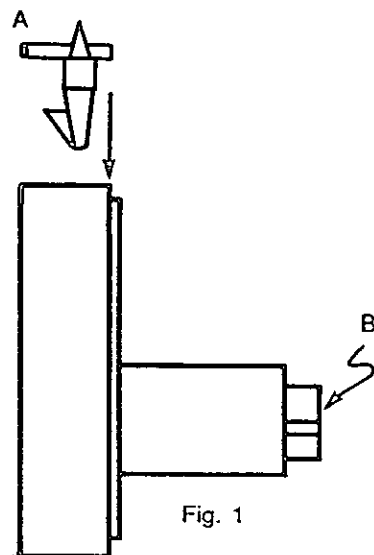
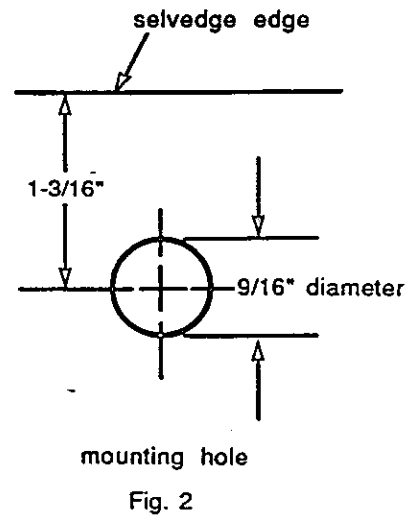
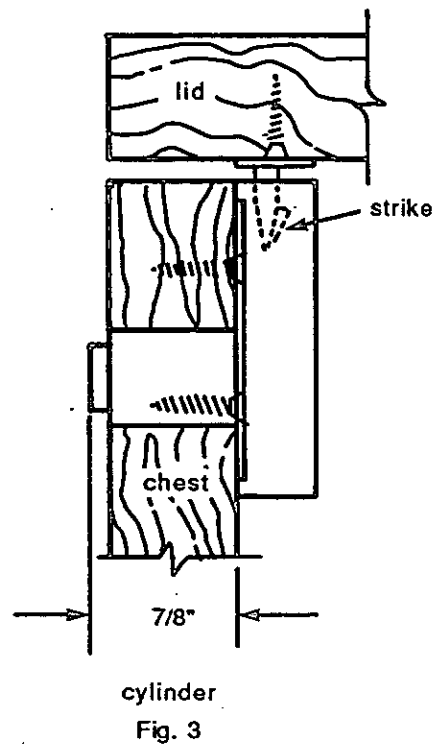


Fig. 1





USE OF CEDAR CHEST LOCK (D3302)

(Lock-Unlock Procedure)

1. Insert strike (A) into case of lock until it latches (Fig. 1)
2. Push in on cylinder bolt.
Note: (B) will not push in if it is locked.

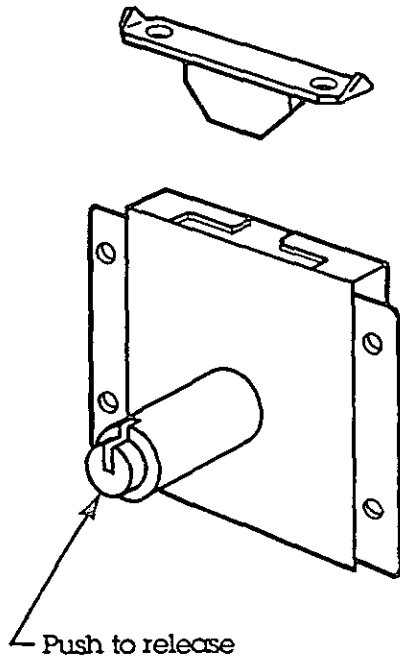
If Locked

3. Insert key into (B) cylinder as shown in Fig. 2
4. Turn key clockwise one complete turn and remove key.
5. Push in (B) Fig. 1 and pull up on strike (A) (it should release).

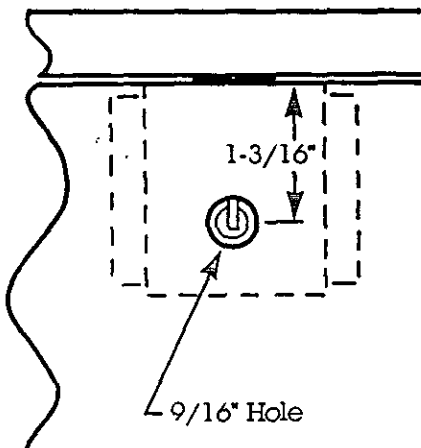
To Lock

6. Push in strike A until it latches (Fig. 1 and 2).
7. Insert key into (B) (Fig. 2)
8. Turn key counter-clockwise one complete turn and remove key. (Strike should be locked into place.)

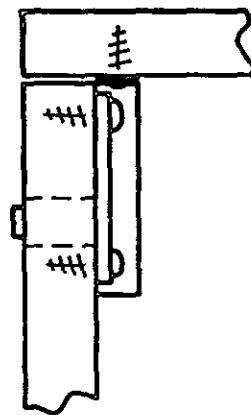
Cedar Chest Lock



Front View



Side View



© The Woodworkers' Store 1988