

GLASS DOOR PIVOT HINGE (INSET)

29108-124

29108 - Black
29116 - Nickel
29124- Brass

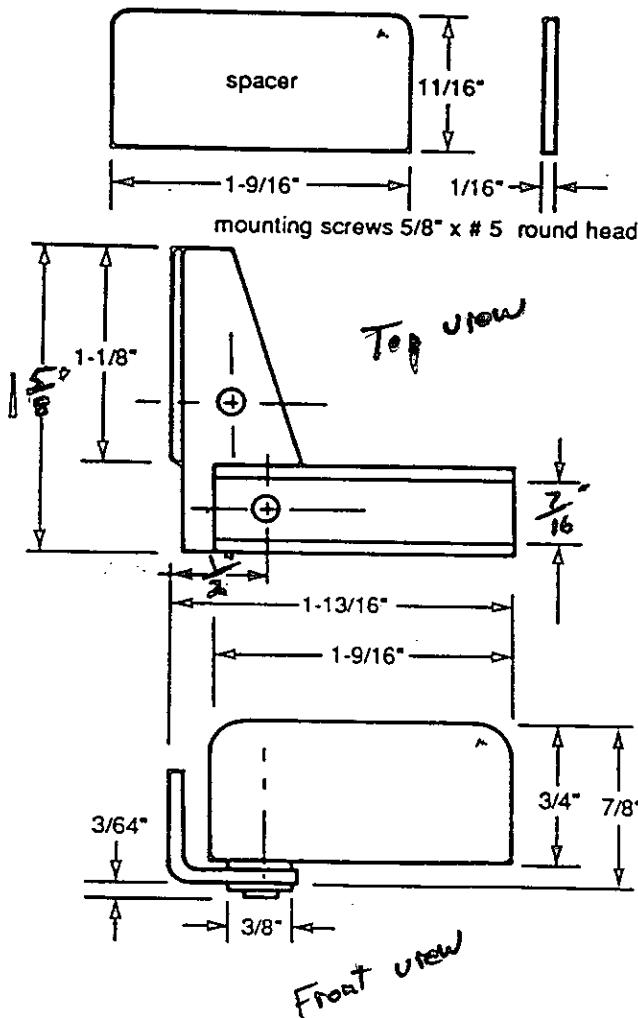
FEATURES:

- for glass inset doors ($3/16'' - 1/4''$), free swing
- available in black or chrome finish
- glass mounting channel made of .079" stamped steel and side wall leaf is made of .060" steel
- one pair consists of one top and one bottom mounting hinge
- does not have ant adjustment features
- door flush mounted to front of cabinet will allow 150° degree opening, greater inset decreases opening angle
- has bakelite liner adhesive coated on one side to hold glass from slipping or moving in hinge channel
- # 5 x $5/8''$ round head screws provided
- load rating of 22 lbs (note: 1 sq.ft. of $1/4''$ glass=3.4 lbs.)

APPLICATION:

A no-bore, free swing inset hinge for glass doors.

SPECIFICATIONS:



INSTALLATION:

1. Place hinge into lower cabinet corner with hinge channel flush to front edge of cabinet. To prevent hinge mis alignment, place a cardboard shim (.040" thickness) under cabinet side while holding hinge in position. Repeat for upper hinge.
2. Drill pilot holes and attach hinges to cabinet. It is best to keep cardboard shims under hinge leaf.
3. Measure for vertical glass door size from bottom to bottom of hinge channels. Measure cabinet horizontal opening and deduct $1/8''$ for single door clearance and $3/32''$ (minimum) off of $1/2$ the cabinet width for double glass door clearance
4. Remove paper covering self-stick on spacers and place spacers on hinge corners of glass. Spacers will be used against channel set screws.
5. Open hinges to 90° and turn channel set screws out so screw tips clear channel opening.
6. Place door into upper and lower channels. Door edge should project $3/32''$ out of channel towards cabinet side. Tighten (1) set screw in each hinge. Check an adjust for clearances. Tighten 2nd set screw when clearances are correct. Drive 3rd hinge mounting screw into cabinet bottom shelf.

