

BRASS DROP FRONT SUPPORT

32110-128

32110-Right
32128-Left

FEATURES:

- made of solid brass
- highly polished with protective lacquer coat
- supplied with 5/8" x #7 F.H. brass screws for mounting
- total arm length is 9-1/2", each arm is 4-3/4"
- fine quality for heavy loads

APPLICATION:

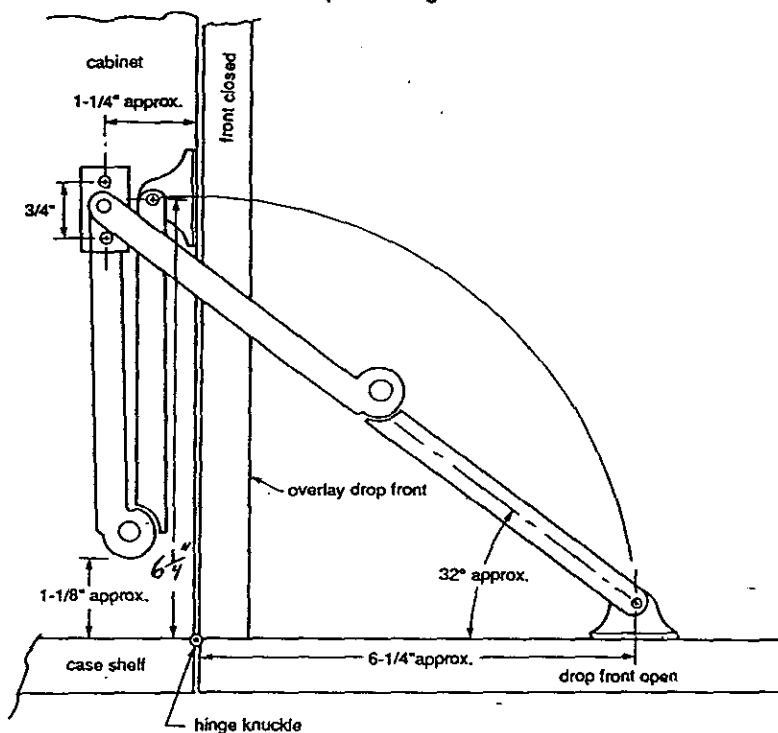
A folding stay for lift fronts or drop fronts.

SPECIFICATIONS:

INSTALLATION:

1. Locate mounting holes of case sidewall swivel bracket. See figure 2.
2. Drill pilot holes for sidewalls swivel bracket and attach left and right supports to cabinet sidewall.
3. Unfold arms to straight position. Let front brackets of unfolded arms rest on open drop front. Drop front must be horizontal or aligned to shelf.
4. Mark off screw hole centers on front using swivel brackets as template. Drill pilot holes in front.
5. Attach front swivel brackets with supplied screws.

Note: The following steps show dimensions for installing supports for an overlay drop front hinged at the bottom with butt or piano hinge.



32110-128

