

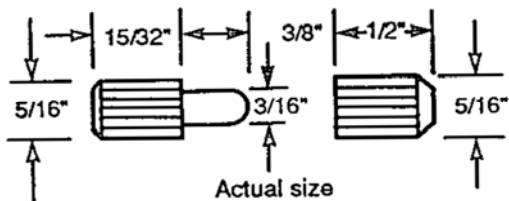
**FEATURES:**

- made of solid brass
- both pieces are fluted to friction fit a bored hole
- for wood at least 1/2" thick
- no dimensional change due to humidity
- 8 sets of 2 per package

**APPLICATION:**

This pin and socket is used for alignment and positioning of table leaves in expandable dining room tables.

**SPECIFICATIONS:**



**INSTALLATION:**

1. Align table halves. Make a mark across the joint. Insert and align leaves, and transfer the marks onto each leaf (the best arrangement is to lay out the pins in a symmetrical pattern.)
2. Drill 5/16" diameter by 1/2" deep holes at each marked location. Use a drill guide or doweling jig to get the holes centered on the edge of each panel.
3. Glue base end of pins into all holes on panel edges facing the right.
4. Check fit panel edges with pins into the facing edges.



Table Pin and Socket

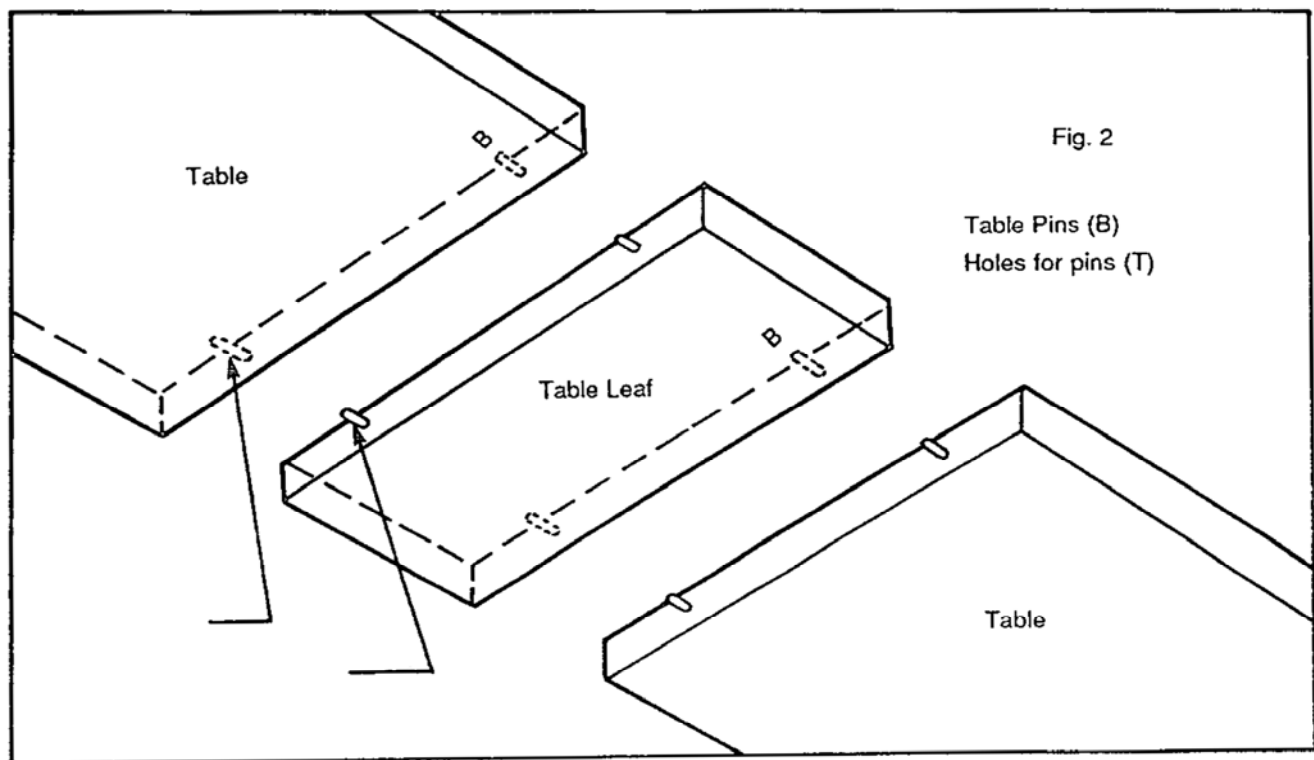


Fig. 2

Table Pins (B)  
Holes for pins (T)