



Router Fence Storage Tray Instructions

Effective January 2020

PLEASE SEE OTHER SIDE FOR IMPORTANT SAFETY WARNINGS

⚠ CAUTION

- > Tray contents must **NOT** exceed 5 lbs. in weight.
- > If using the tray to hold a push block, do **NOT** store anything else in the tray. **Fig. 1**. Other items could fall onto the router table when the push block is retrieved, potentially causing a hazard.
- > Maintain awareness of sharp router bits stored in the Router Fence Storage Tray so as to not cut your hands.

NOTICE

The Router Fence Storage Tray can be used with Bench Cookie 2" T-Track Risers (46311, sold separately) in top-facing router fence T-Tracks only. Two regular 5/16"-18 nuts, not included but available at most home centers, are required.

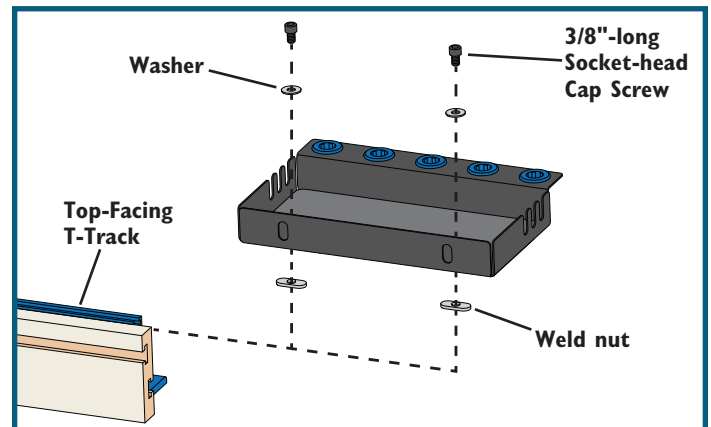
The Router Fence Storage Tray also may be mounted to the side of a bench or cabinet with appropriate user-provided hardware.



Fig. 1

Mounting to a Fence with Top-Facing T-Track

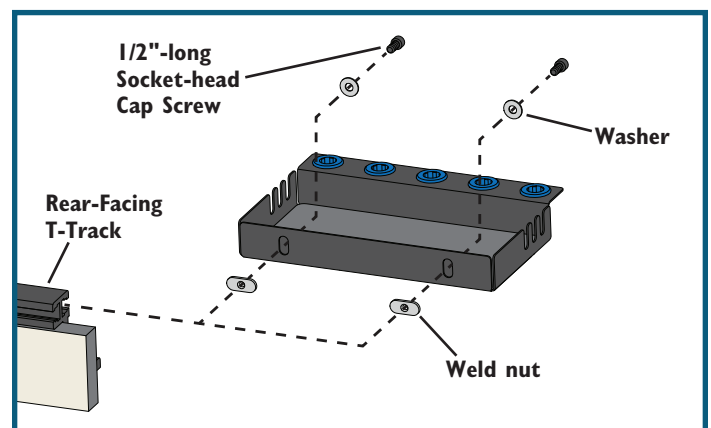
1. Fit a washer on each 3/8"-long socket-head cap screw. Insert the socket-head cap screws in the holes in the bottom of the tray.
2. Thread a weld nut onto the bottom of each socket-head cap screw, just far enough for the threads to engage.
3. Fit the weld nuts into the top-facing T-track on the router table fence and slide the tray to the desired position. Use the included hex wrench to fully tighten the socket-head cap screws.



Mounting to a Fence with Top-Facing T-Track

Mounting to a Fence with Rear-Facing T-Track

1. Fit a washer on each 1/2"-long socket-head cap screw. Insert the socket-head cap screws in the oblong holes in the front side of the tray.
2. Thread a weld nut onto the bottom of each socket-head cap screw, just far enough for the threads to engage.
3. Fit the weld nuts into the rear-facing T-track on the router table fence and slide the tray to the desired position. Use the included hex wrench to fully tighten the socket-head cap screws.



Mounting to a Fence with Rear-Facing T-Track

Check Rockler.com for updates. If you have further questions, please contact our Technical Support Department at 1-800-260-9663 or support@rockler.com

GENERAL SAFETY WARNINGS

This product is designed only for specific applications as defined in the instructions and should not be modified or used for any manner not described in these instructions. Use only recommended accessories. Before using the Router Fence Storage Tray: **READ, UNDERSTAND** and **FOLLOW ALL INSTRUCTIONS AND SAFETY WARNINGS. KEEP THESE INSTRUCTIONS READILY AVAILABLE FOR FUTURE REFERENCE.**

- > Always confirm that you are using the most recent version of the Instructions and safety warnings for your product (see the Instructions link on the product page at Rockler.com).
- > Before using another tool with this product, always read, understand and follow the instructions and safety warnings in the owner's manual for that tool. If you do not have the owner's manual, obtain one from the tool's manufacturer before using it with this product.
- > Before using any chemical with this product, always read, understand and follow all safety warnings and guidelines in the manufacturer's Safety Data Sheet (SDS; formerly called "MSDS"), especially regarding:
 - How to safely use the chemical, including potential hazards and recommended first aid measures;
 - Personal safety equipment required to safely use the chemical (e.g. gloves, eye protection, mask/respirator, etc.);
 - Proper and safe handling, storage and disposal of the chemical.
- > Before using this product, review and verify that all tools to be used with it have safety equipment installed and are in proper working order as defined by the tool's owner's manual.
- > Do not use this product until you have read and are confident you understand the instructions.
- > The user assumes all risk and responsibility for the proper and safe use of this product and for ensuring product suitability for the intended application.
- > It is the sole responsibility of the purchaser of this product to ensure that any anyone you allow to use this product reads and complies with all instructions and safety precautions outlined in this manual prior to use.
- > Follow all standard shop safety practices, including:
 - Keep children and bystanders away from the tool operating area;
 - Do **NOT** use power tools in explosive environments, or in the presence of flammable liquids, fumes or dust;
 - **TURN OFF AND UNPLUG** all power tools **BEFORE** making any adjustments or changing accessories;
 - Remain alert and use good judgment. Do not use this product if you are in any way impaired by medications, alcohol, drugs or fatigue;
 - Keep your work area well lit and clean;
 - Dress appropriately. Secure loose clothing, remove all jewelry and tie up long hair before using this product;
 - **ALWAYS** wear safety glasses, hearing protection and respiratory protection that complies with NIOSH/OSHA/ANSI safety standards;
 - Use dust collection tools and dust face masks to reduce exposure to dust;
 - Use safety equipment such as featherboards, push sticks and push blocks, etc., when appropriate;
 - Maintain proper footing at all times and do not overreach;
 - Do **NOT** force woodworking tools.
- > These warnings and instructions do **NOT** represent the total of all information available regarding tool safety, use and technique. Always seek out opportunities to learn more and improve your skills and knowledge.

⚠ WARNING: Drilling, sawing, sanding or machining wood products can expose you to wood dust, a substance known to the State of California to cause cancer. Avoid inhaling wood dust or use a dust mask or other safeguards for personal protection. For more information go to www.P65Warnings.ca.gov/wood.

⚠ DANGER

Danger indicates a hazardous situation that, if not avoided, will result in death or serious injury.

⚠ WARNING

Warning indicates a hazardous situation that, if not avoided, could result in death or serious injury.

⚠ CAUTION

Caution indicates a hazardous situation that, if not avoided, may result in minor or moderate injury or property damage.

NOTICE

Notice indicates important or helpful information and/or user tips.