

IMPORTANT:
Read Before Using

IMPORTANT :
Lire avant usage

IMPORTANTE:
Leer antes de usar



Operating/Safety Instructions
Consignes de fonctionnement/sécurité
Instrucciones de funcionamiento y seguridad

1250DEVS



BOSCH

**Call Toll Free for
Consumer Information
& Service Locations**

**Pour obtenir des informations
et les adresses de nos centres
de service après-vente,
appelez ce numéro gratuit**

**Llame gratis para
obtener información
para el consumidor y
ubicaciones de servicio**

1-877-BOSCH99 (1-877-267-2499) www.boschtools.com

**For English Version
See page 2**

**Version française
Voir page 11**

**Versión en español
Ver la página 20**



General Power Tool Safety Warnings

▲ WARNING Read all safety warnings and instructions. Failure to follow the warnings and instructions may result in electric shock, fire and/or serious injury.

SAVE ALL WARNINGS AND INSTRUCTIONS FOR FUTURE REFERENCE

The term “power tool” in all of the warnings refers to your mains-operated (corded) power tool or battery-operated (cordless) power tool.

Work area safety

Keep work area clean and well lit. Cluttered or dark areas invite accidents.

Do not operate power tools in explosive atmospheres, such as in the presence of flammable liquids, gases or dust. Power tools create sparks which may ignite the dust or fumes.

Keep children and bystanders away while operating a power tool. Distractions can cause you to lose control.

Electrical safety

Power tool plugs must match the outlet. Never modify the plug in any way. Do not use any adapter plugs with earthed (grounded) power tools. Unmodified plugs and matching outlets will reduce risk of electric shock.

Avoid body contact with earthed or grounded surfaces such as pipes, radiators, ranges and refrigerators. There is an increased risk of electric shock if your body is earthed or grounded.

Do not expose power tools to rain or wet conditions. Water entering a power tool will increase the risk of electric shock.

Do not abuse the cord. Never use the cord for carrying, pulling or unplugging the power tool. Keep cord away from heat, oil, sharp edges or moving parts. Damaged or entangled cords increase the risk of electric shock.

When operating a power tool outdoors, use an extension cord suitable for outdoor use. Use of a cord suitable for outdoor use reduces the risk of electric shock.

If operating the power tool in damp locations is unavoidable, use a Ground Fault Circuit Interrupter (GFCI) protected supply. Use of an GFCI reduce the risk of electric shock.

Personal safety

Stay alert, watch what you are doing and use common sense when operating a

power tool. Do not use a power tool while you are tired or under the influence of drugs, alcohol or medication. A moment of inattention while operating power tools may result in serious personal injury.

Use personal protective equipment. Always wear eye protection. Protective equipment such as dust mask, non-skid safety shoes, hard hat, or hearing protection used for appropriate conditions will reduce personal injuries.

Prevent unintentional starting. Ensure the switch is in the off-position before connecting to power source and / or battery pack, picking up or carrying the tool. Carrying power tools with your finger on the switch or energizing power tools that have the switch on invites accidents.

Remove any adjusting key or wrench before turning the power tool on. A wrench or a key left attached to a rotating part of the power tool may result in personal injury.

Do not overreach. Keep proper footing and balance at all times. This enables better control of the power tool in unexpected situations.

Dress properly. Do not wear loose clothing or jewelry. Keep your hair, clothing and gloves away from moving parts. Loose clothes, jewelry or long hair can be caught in moving parts.

If devices are provided for the connection of dust extraction and collection facilities, ensure these are connected and properly used. Use of dust collection can reduce dust-related hazards.

Power tool use and care

Do not force the power tool. Use the correct power tool for your application. The correct power tool will do the job better and safer at the rate for which it was designed.

Do not use the power tool if the switch does not turn it on and off. Any power tool that cannot be controlled with the switch is dangerous and must be repaired.





Disconnect the plug from the power source and/or the battery pack from the power tool before making any adjustments, changing accessories, or storing power tools. Such preventive safety measures reduce the risk of starting the power tool accidentally.

Store idle power tools out of the reach of children and do not allow persons unfamiliar with the power tool or these instructions to operate the power tool. Power tools are dangerous in the hands of untrained users.

Maintain power tools. Check for misalignment or binding of moving parts, breakage of parts and any other condition that may affect the power tool's operation. If damaged, have the power tool repaired before use. Many accidents are caused by poorly maintained power tools.

Keep cutting tools sharp and clean. Properly maintained cutting tools with sharp cutting edges are less likely to bind and are easier to control.

Use the power tool, accessories and tool bits etc. in accordance with these instructions, taking into account the working conditions and the work to be performed. Use of the power tool for operations different from those intended could result in a hazardous situation.

Service

Have your power tool serviced by a qualified repair person using only identical replacement parts. This will ensure that the safety of the power tool is maintained.

Additional Safety Warnings

GFCI and personal protection devices like electrician's rubber gloves and footwear will further enhance your personal safety.

Do not use AC only rated tools with a DC power supply. While the tool may appear to work, the electrical components of the AC rated tool are likely to fail and create a hazard to the operator.

Keep handles dry, clean and free from oil and grease. Slippery hands cannot safely control the power tool.

Use clamps or other practical way to secure and support the workpiece to a stable platform. Holding the work by hand or against your body is unstable and may lead to loss of control.

Develop a periodic maintenance schedule for your tool. When cleaning a tool be careful not to disassemble any portion of the tool since internal wires may be misplaced or pinched or safety guard return springs may be improperly mounted. Certain cleaning agents such as gasoline, carbon tetrachloride, ammonia, etc. may damage plastic parts.

Risk of injury to user. The power cord must only be serviced by a Bosch Factory Service Center or Authorized Bosch Service Station.

⚠ WARNING **Some dust created by power sanding, sawing, grinding, drilling, and other construction activities contains chemicals known to cause cancer, birth defects or other reproductive harm. Some examples of these chemicals are:**

- Lead from lead-based paints,
- Crystalline silica from bricks and cement and other masonry products, and
- Arsenic and chromium from chemically-treated lumber.

Your risk from these exposures varies, depending on how often you do this type of work. To reduce your exposure to these chemicals: work in a well ventilated area, and work with approved safety equipment, such as those dust masks that are specially designed to filter out microscopic particles.





Safety Rules for Orbital Sanders

Unplug the sander before changing accessories. Accidental start-ups may occur if sander is plugged in while changing an accessory.

If your tool is equipped with a dust bag, dust canister, or a vacuum hose dust port, empty the dust container frequently and after completion of sanding. Be extremely careful of dust disposal, materials in fine particle form may be explosive. Do not throw sanding dust on an open fire. Spontaneous combustion, may in time, result from mixture of oil or water with dust particles.

Always wear eye protection and a dust mask for dusty applications and when sanding overhead. Sanding particles can be absorbed by your eyes and inhaled easily and may cause health complications.

Use special precautions when sanding chemically pressure treated lumber, paint that may be lead based, or any other materials that may contain carcinogens. A suitable breathing respirator and protective clothing must be worn by all persons entering the work area. Work area should be sealed by

plastic sheeting and persons not protected should be kept out until work area is thoroughly cleaned.

Do not wet sand with this sander. Liquids entering the motor housing is an electrical shock hazard.

Do not use PSA pad on random orbit sanders whose speed exceeds 12,000/min. Exceeding the maximum operating speed of pad may cause pad to rupture or fly apart during use striking user or bystanders.

Do not use sandpaper intended for larger sanding pads. Larger sandpaper will extend beyond the sanding pad causing snagging, tearing of the paper or kick-back. Extra paper extending beyond the sanding pad can also cause serious lacerations.


Clamp or secure workpiece when sanding. Clamping the workpiece prevents it from being ejected from under the sander and leaves both hands to control the tool.

Keep the cord away from the spinning pad and sandpaper. The cord can become entangled with the pad.



Symbols

IMPORTANT: Some of the following symbols may be used on your tool. Please study them and learn their meaning. Proper interpretation of these symbols will allow you to operate the tool better and safer.

Symbol	Name	Designation/Explanation
V	Volts	Voltage (potential)
A	Amperes	Current
Hz	Hertz	Frequency (cycles per second)
W	Watt	Power
kg	Kilograms	Weight
min	Minutes	Time
s	Seconds	Time
∅	Diameter	Size of drill bits, grinding wheels, etc.
n ₀	No load speed	Rotational speed, at no load
.../min	Revolutions or reciprocation per minute	Revolutions, strokes, surface speed, orbits etc. per minute
0	Off position	Zero speed, zero torque...
1, 2, 3, ... I, II, III,	Selector settings	Speed, torque or position settings. Higher number means greater speed
0 ▽	Infinitely variable selector with off	Speed is increasing from 0 setting
➔	Arrow	Action in the direction of arrow
~	Alternating current	Type or a characteristic of current
≡	Direct current	Type or a characteristic of current
~	Alternating or direct current	Type or a characteristic of current
□	Class II construction	Designates Double Insulated Construction tools.
⊕	Earthing terminal	Grounding terminal
⚠	Warning symbol	Alerts user to warning messages
	Li-ion RBRC seal	Designates Li-ion battery recycling program



This symbol designates that this tool is listed by Underwriters Laboratories.



This symbol designates that this tool is listed by the Canadian Standards Association, to United States and Canadian Standards.



This symbol designates that this tool is listed by the Canadian Standards Association.



This symbol designates that this tool is listed by Underwriters Laboratories, to United States and Canadian Standards.



This symbol designates that this tool is listed by the Intertek Testing Services, to United States and Canadian Standards.

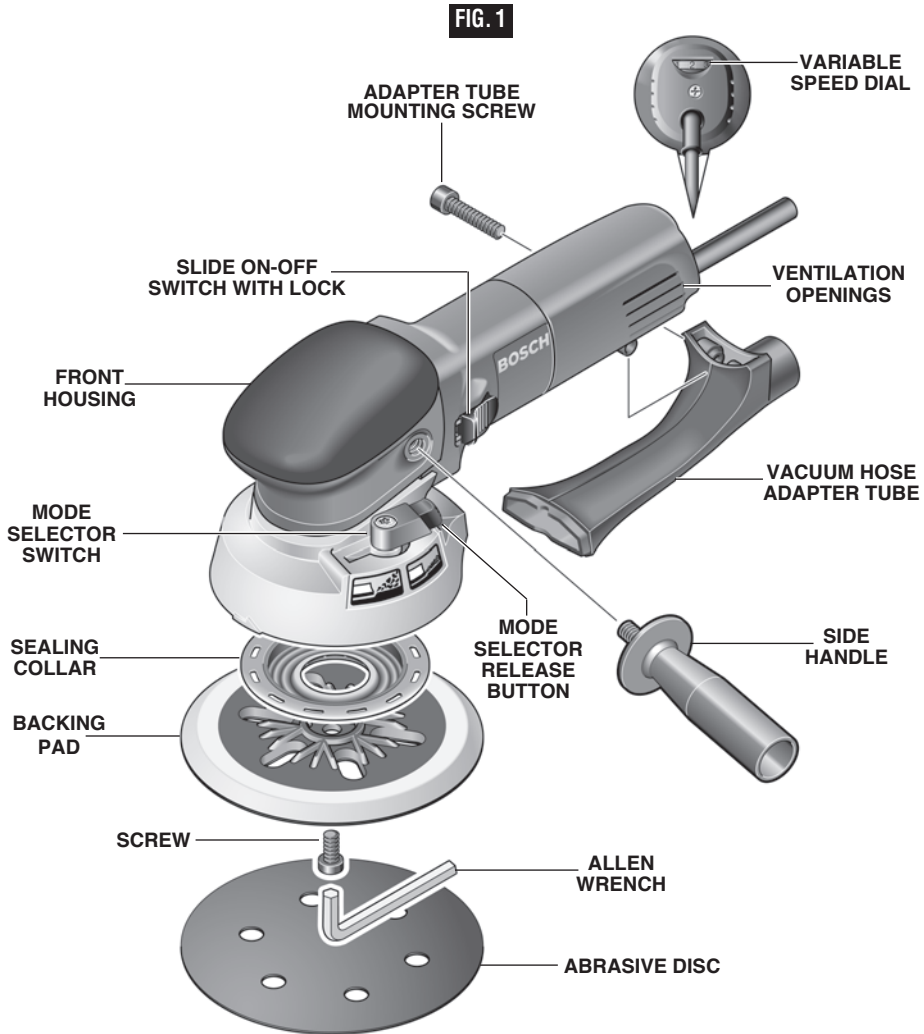


This symbol designates that this tool complies to NOM Mexican Standards.

Functional Description and Specifications

⚠ WARNING Disconnect the plug from the power source before making any assembly, adjustments or changing accessories. Such preventive safety measures reduce the risk of starting the tool accidentally.

Random Orbit Sander/Polisher



Model number	1250DEVS	No load speed	n_0 3,100-6,650/min
Voltage rating	120 V ~ 50 - 60Hz	Pad diameter	6" (150 mm)
Amperage rating	6.5 A	Abrasive diameter	6" (150 mm)

Assembly

BACKING PAD INSTALLATION

The random orbit sander is equipped with a backing pad of soft hardness, which is suitable for general service. Harder and softer pads are available for other purposes, and in general are used as follows;

Extra soft pad - Polishing or sanding large or curved surfaces.

Soft pad - All purpose general sanding and polishing.

Hard pad - Heavy sanding on flat surfaces, especially with coarser abrasives.

To change backing pad, hold pad firmly and turn screw counterclockwise with 5mm allen wrench provided. Remove old pad, and place new pad over locating pins on drive spindle. Replace screw and securely tighten in a clockwise direction with the allen wrench. Damaged or worn backing pads must be replaced immediately (Fig. 1).

INSTALLING ACCESSORIES

The random orbit sander uses hook-and-loop backed accessories, which firmly grip the pad when applied with moderate pressure. To change the accessory, merely peel off the old accessory, remove dust from the pad if necessary, and press the new accessory in place. Be sure to align the sanding disc holes with the holes in the backing pad to allow the dust extraction system to function.

After considerable service the pad surface will become worn, and the pad must be replaced

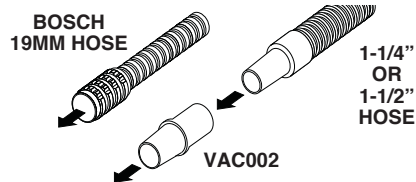
when it no longer offers a firm grip. If you are experiencing premature wearout of the pad facing, decrease the amount of pressure you are applying during operation of the tool.

DUST EXTRACTION

Your sander is equipped with a removable vacuum hose adapter tube for dust and chip extraction. The vacuum hose adapter tube serves as the connector to the (optional) vacuum hose.

To use this feature, attach vacuum hose adapter tube to footplate with the screw provided (Fig. 1).

For vacuuming, a Bosch Air Sweep vacuum hose or vacuum hose adapter (optional accessories) can be directly connected to the vacuum hose adapter tube.



SIDE HANDLE

The side handle used to guide and balance the tool can be threaded into the front housing on either side of the tool, depending on personal preference and comfort. Use the side handle for safe control and ease of operation.

Operating Instructions

SLIDE ON-OFF SWITCH WITH LOCK

The tool is switched "ON" by the switch button located at the side of the motor housing. The switch can be locked in the "ON" position, a convenience for long sanding and polishing operations.

TO TURN THE TOOL "ON" without locking it, slide the switch button forward by applying pressure ONLY at the REAR portion of the button. When pressure is released the switch button will snap to "OFF" position.

TO LOCK THE SWITCH "ON", slide the switch button forward and press "IN" the FRONT portion.

TO UNLOCK THE SWITCH, simply press and release the REAR portion of the button. Switch is spring loaded and will snap back automatically.

⚠ WARNING

Hold the tool with both hands while starting the tool, since torque from the motor can cause the tool to twist.

Start the tool before applying to work and let the tool come to full speed before contacting the workpiece. Lift the tool from the work before releasing the switch. DO NOT turn the switch "ON" and "OFF" while the tool is under load; this will greatly decrease the switch life.

MODE SELECTOR SWITCH

Your tool is equipped with a mode selector switch which allows you change the removal performance of your sander.

To change operating modes, press mode selector release button and turn switch until you hear it latch near desired operating symbol.

WARNING To prevent personal injury. Do not change the mode selector switch while the sander is in operation.



Operating Mode 1

This operating mode is recommended for fast material removal on very rough, insensitive surfaces as well as for buffing.



Operating Mode 2

This operating mode is recommended for sensitive surfaces as well as for fine polishing.

ELECTRONIC FEEDBACK CIRCUITRY (EFC)

The internal electronic feedback system provides a "soft start", which will reduce the stresses that occur from a high torque start. The system also helps to keep the no load speed virtually constant between no-load and load conditions.

VARIABLE SPEED WITH DIAL SETTING

Your sander is also equipped with a variable speed dial. The sander's orbital pad speed can be preset from zero to maximum nameplate OPM by rotating the dial in the housing. The dial may be set on or between any of six positions (1=low through 6=high).

The following table may be used as a general guide for abrasive and backing pad selection, but the best results will be obtained by sanding a test sample of the workpiece first.

Material	Rough sanding	Fine sanding	Switch setting	Backing pad
Woods:	Grit size	Grit size		
Softwoods	40/60	240	5-6	extra soft/soft
Hardwoods	40/60	180/240	5-6	soft
Veneers	240	320/400	5	extra soft/soft
Metals:				
Steel	80/180	400	5	hard
Stainless	120	240	5	soft
Aluminum	80	240/400	4-5	soft
Rust spots	40	120	6	soft
Synthetic paint:				
Sanding	180	400	4-5	soft
Scratches	120	220	3-4	hard
Stripping	40/60	80/120	5-6	soft
Acrylic paint:				
Sanding	180	320/400	4-5	soft
Scratches	120	240	4-5	hard
Stripping	40/60	80/120	2-3	soft
Plastics				
PC/polystyrene	120	240	3-5	extra soft/soft
Thermoplastics	60	180	1-3	soft
Glass fiber reinforced plastics	80/120	240/400	1-3	soft/hard
Solid Surfaces	120	180/400	4-6	soft

Tool Tips

SANDING: open-coat aluminum oxide sanding discs are recommended for most wood or metal sanding applications, as this synthetic material cuts quickly and wears well. Some applications, such as plastics, glass, or stone require silicon carbide discs, which have a very sharp cutting edge. For best results, use Bosch sanding and polishing accessories which are of superior quality and are carefully selected to produce professional quality results with your sander.

With the workpiece firmly secured, depress switch while applying the pad to the work surface. **DO NOT** apply excessive pressure as this will slow the pad action, and **DO NOT** start the tool and bring it up to speed before applying to the work; swirl marks will result in either case. In general, higher speeds and moderate pressure will give the best results. If faster removal is desired, **DO NOT INCREASE PRESSURE ON THE TOOL**; use a coarser grade of abrasive. Move the sander in long sweeping strokes, parallel to the grain using some lateral motion to overlap the strokes by as much as 75%. The random orbit action allows cross-grain sanding, but be careful not to tilt the sander near edges, or undesirable rounding may result.

If the surface is rough, begin with coarser grits and then complete the surfacing with medium and fine abrasives. Because the random orbit action is so effective, it is often possible to begin sanding with a medium grit disc and go directly to fine finishing. To avoid uneven results, do not skip more than one grit size when going from coarser to finer, and do not sand in one area for too long. When the job is completed, release switch, and gently lift the tool from the work surface at the same time.

POLISHING: for most polishing, the extra soft backing pad will give the best results. The random orbit sander may be fitted with a foam buffing pad or sponge applicator pad (optional accessories) to polish or remove scratches from painted or finished surfaces, plastics, and even glass. The tool is operated in much the same way as when sanding, but the following points should be observed;

Apply the compound to the surface, and use the sponge applicator pad with light pressure and a circular motion to remove scratches and restore weathered finishes. Use only as much compound as necessary, and clean the sponge frequently during use.

When initial polishing is completed, wipe away any excess compound with a soft towel, and then polish the surface to its final finish with the buffing pad. Use smooth overlapping strokes for best results.

It is important to note that the orbit speed of the random orbit sander is not the same as the RPM of a standard right-angle polisher. The random orbit action is much like a powerful hand polishing action, and therefore does not have the high speeds at the edge of the pad which can burn the work surface. For this reason, it is possible to select a higher OPM for the random orbit sander than the recommended RPM for a standard polisher. Practice on a hidden area or test surface until you have determined the tool is suitable for your polishing application.

Clean the buffing pad and sponge applicator pad with mild detergents and warm water. **DO NOT** use solvents.

Maintenance

Service



WARNING Preventive maintenance performed by unauthorized personnel may result in misplacing of internal wires and components which could cause serious hazard. We recommend that all tool service be performed

by a Bosch Factory Service Center or Authorized Bosch Service Station.

TOOL LUBRICATION

Your Bosch tool has been properly lubricated and is ready to use. It is recommended that tools with gears be regreased with a special gear lubricant at every brush change.

CARBON BRUSHES

The brushes and commutator in your tool have been engineered for many hours of dependable service. To maintain peak efficiency of the motor, we recommend every two to six months the brushes be examined. Only genuine Bosch replacement brushes specially designed for your tool should be used.

BEARINGS

After about 300-400 hours of operation, or at every second brush change, the bearings should be replaced at Bosch Factory Service Center or Authorized Bosch Service Station. Bearings which become noisy (due to heavy load or very abrasive material cutting) should be replaced at once to avoid overheating or motor failure.

Cleaning

⚠ WARNING To avoid accidents always disconnect the tool from the power supply before cleaning or performing any maintenance. The tool may be cleaned most effectively with compressed dry air. **Always wear safety goggles when cleaning tools with compressed air.**

Ventilation openings and switch levers must be kept clean and free of foreign matter. Do not attempt to clean by inserting pointed objects through openings.

⚠ CAUTION Certain cleaning agents and solvents damage plastic parts. Some of these are: gasoline, carbon tetrachloride, chlorinated cleaning solvents, ammonia and household detergents that contain ammonia.

Accessories

⚠ WARNING If an extension cord is necessary, a cord with adequate size conductors that is capable of carrying the current necessary for your tool must be used. This will prevent excessive voltage drop, loss of power or overheating. Grounded tools must use 3-wire extension cords that have 3-prong plugs and receptacles.

NOTE: The smaller the gauge number, the heavier the cord.

RECOMMENDED SIZES OF EXTENSION CORDS 120 VOLT ALTERNATING CURRENT TOOLS

Tool's Ampere Rating	Cord Size in A.W.G.				Wire Sizes in mm ²			
	Cord Length in Feet				Cord Length in Meters			
	25	50	100	150	15	30	60	120
3-6	18	16	16	14	0.75	0.75	1.5	2.5
6-8	18	16	14	12	0.75	1.0	2.5	4.0
8-10	18	16	14	12	0.75	1.0	2.5	4.0
10-12	16	16	14	12	1.0	2.5	4.0	—
12-16	14	12	—	—	—	—	—	—

(* = standard equipment)

(** = optional accessories)

- * Allen wrench 6mm
- * Auxiliary Handle
- * Sanding disc
- * Soft backing pad

- * Vacuum hose adapter tube
- ** Vacuum hose adapter
- ** Extra soft backing pad
- ** Hard backing pad
- ** Vacuum hoses
- ** Foam buffing pad
- ** Sponge applicator pad



Avertissements généraux concernant la sécurité des outils électroportatifs

A AVERTISSEMENT

Veillez lire tous les avertissements et toutes les consignes de sécurité. Si l'on n'observe pas ces avertissements et ces consignes de sécurité, il existe un risque de choc électrique, d'incendie et/ou de blessures corporelles graves.

CONSERVEZ TOUS LES AVERTISSEMENTS ET TOUTES LES CONSIGNES DE SÉCURITÉ POUR RÉFÉRENCE FUTURE.

Dans tous les avertissements, le terme « outil électroportatif » se rapporte à des outils branchés sur le secteur (avec fil) ou à des outils alimentés par piles (sans fil).

Sécurité du lieu de travail

Maintenez le lieu de travail propre et bien éclairé. Les risques d'accident sont plus élevés quand on travaille dans un endroit encombré ou sombre.

N'utilisez pas d'outils électroportatifs dans des atmosphères explosives, comme par exemple en présence de gaz, de poussières ou de liquides inflammables. Les outils électroportatifs produisent des étincelles qui risquent d'enflammer les poussières ou les vapeurs.

Éloignez les enfants et les visiteurs quand vous vous servez d'un outil électroportatif. Vous risquez une perte de contrôle si on vous distrait.

Sécurité électrique

Les fiches des outils électroportatifs doivent correspondre à la prise. Il ne faut absolument jamais modifier la fiche. N'utilisez pas d'adaptateur de prise avec des outils électroportatifs munis d'une fiche de terre. Le risque de choc électrique est moindre si on utilise une fiche non modifiée sur une prise qui lui correspond.

Évitez tout contact du corps avec des surfaces reliées à la terre tels que tuyaux, radiateurs, gazinières ou réfrigérateurs. Le risque de choc électrique augmente si votre corps est relié à la terre.

N'exposez pas les outils électroportatifs à la pluie ou à l'humidité. Si de l'eau pénètre dans un outil électroportatif, le risque de choc électrique augmente.

Ne maltraitez pas le cordon. Ne vous en servez jamais pour transporter l'outil électroportatif, pour le tirer ou pour le débrancher. Éloignez le cordon de la chaleur, des huiles, des arêtes coupantes ou des pièces mobiles. Les cordons abîmés ou emmêlés augmentent les risques de choc électrique.

Si vous utilisez un outil électroportatif à l'extérieur, employez une rallonge conçue pour l'extérieur. Ces rallonges sont faites pour l'extérieur et réduisent le risque de choc électrique.

S'il est absolument nécessaire d'utiliser l'outil électroportatif dans un endroit humide, utilisez une alimentation protégée par un disjoncteur de fuite de terre (GFCI). L'utilisation d'un disjoncteur GFCI réduit les risques de choc électrique.

Sécurité personnelle

Restez concentré, faites attention à ce que vous faites, et servez-vous de votre bon sens lorsque vous utilisez un outil électroportatif. N'employez pas d'outils électroportatifs quand vous êtes fatigué ou sous l'emprise de drogues, d'alcool ou de médicaments. Quand on utilise des outils électroportatifs, il suffit d'un moment d'inattention pour causer des blessures corporelles graves.

Utilisez des équipements de sécurité personnelle. Portez toujours une protection oculaire. Le port d'équipements de sécurité tels que des masques antipoussières, des chaussures de sécurité antidérapantes, des casques de chantier et des protecteurs d'oreilles dans des conditions appropriées réduira le risque de blessure corporelle.

Évitez les démarrages intempestifs. Assurez-vous que l'interrupteur est dans la position arrêt (Off) avant de brancher l'outil dans une prise de courant et/ou un bloc-piles, de le ramasser ou de le transporter. Le transport d'un outil électroportatif avec le doigt sur la gâchette ou le branchement de cet outil quand l'interrupteur est en position de marche (ON) est une invite aux accidents.

Enlevez toutes les clés de réglage avant de mettre l'outil électroportatif en marche. Si on laisse une clé sur une pièce tournante de l'outil électroportatif, il y a risque de blessure corporelle.

Ne vous penchez pas. Conservez toujours une bonne assise et un bon équilibre. Ceci vous permettra de mieux maîtriser l'outil électroportatif dans des situations inattendues.

Habillez-vous de manière appropriée. Ne portez pas de vêtements amples ou de bijoux. Attachez les cheveux longs. N'approchez pas les cheveux, les vêtements ou les gants des pièces en mouvement. Les vêtements amples, les bijoux ou les cheveux longs risquent d'être happés par les pièces en mouvement.

Si l'outil est muni de dispositifs permettant le raccordement d'un système d'aspiration et de collecte des poussières, assurez-vous que ces dispositifs sont raccordés et utilisés correctement. L'utilisation d'un dépoussiéreur peut réduire les dangers associés à l'accumulation de poussière.





Utilisation et entretien des outils électroportatifs

Ne forcez pas sur l'outil électroportatif. Utilisez l'outil électroportatif qui convient à la tâche à effectuer. L'outil qui convient à la tâche fait un meilleur travail et est plus sûr à la vitesse pour lequel il a été conçu.

Ne vous servez pas de l'outil électroportatif si son interrupteur ne parvient pas à le mettre en marche ou à l'arrêter. Tout outil électroportatif qui ne peut pas être commandé par son interrupteur est dangereux et doit être réparé.

Débranchez la fiche de la prise ou enlevez le bloc-pile de l'outil électroportatif avant tout réglage, changement d'accessoires ou avant de ranger l'outil électroportatif. De telles mesures de sécurité préventive réduisent le risque de démarrage intempestif de l'outil électroportatif.

Rangez les outils électroportatifs dont vous ne vous servez pas hors de portée des enfants et ne permettez pas à des personnes qui ne connaissent pas l'outil électroportatif ou qui ignorent ces consignes de s'en servir. Les outils électroportatifs sont dangereux dans les mains d'utilisateurs inexpérimentés.

Entretenez les outils électroportatifs. Vérifiez que les pièces mobiles sont alignées correctement et ne coincent pas. Vérifiez qu'il n'y a pas de pièces cassées ou d'autre circonstance qui risquent d'affecter le fonctionnement de l'outil électroportatif. Si l'outil est abîmé, faites-le réparer avant de l'utiliser. De nombreux accidents sont causés par des outils électroportatifs mal entretenus.

Maintenez les outils coupants affûtés et propres. Les outils coupants entretenus correctement et dotés de bords tranchants affûtés sont moins susceptibles de coincer et sont plus faciles à maîtriser.

Utilisez l'outil électroportatif, les accessoires et les embouts d'outil, etc. conformément à ces instructions, en tenant compte des conditions de travail et des travaux à réaliser. L'emploi d'outils électroportatifs pour des tâches différentes de celles pour lesquelles ils ont été prévus peut résulter en une situation dangereuse.

Entretien

Faites réparer votre outil électroportatif par un agent de service qualifié n'utilisant que des pièces de rechange identiques. Ceci assure que la sécurité de l'outil électroportatif est préservée.

Avertissements supplémentaires concernant la sécurité

L'emploi d'un GFCI et de dispositifs de protection personnelle tels que gants et chaussures d'électricien en caoutchouc améliorent votre sécurité personnelle.

N'utilisez pas un outil conçu uniquement pour le C.A. sur une alimentation en C.C. Même si l'outil semble fonctionner, les composants électriques d'un outil prévu pour le C.A. tomberont probablement en panne et risquent de créer un danger pour l'utilisateur.

Maintenez les poignées sèches et exemptes d'huile et de graisse. On ne peut pas maîtriser un outil électroportatif en toute sécurité quand on a les mains glissantes.

Utilisez des brides ou d'autres moyens pratiques de brider ou de supporter la pièce sur une plate-forme stable. Tenir la pièce à la main ou contre le corps est instable et risque de résulter en une perte de contrôle.

Créez un agenda d'entretien périodique pour votre outil. Quand vous nettoyez un outil, faites attention de n'en démonter aucune pièce car il est toujours possible de mal remonter ou de pincer les fils internes ou de remonter incorrectement les ressorts de rappel des capots de protection. Certains agents de nettoyage tels que l'essence, le tétrachlorure de carbone, l'ammoniaque, etc. risquent d'abîmer les plastiques.

Risque de blessure pour l'utilisateur. Le cordon d'alimentation électrique ne doit être réparé que par un Centre de service usine de Bosch ou par une Station service agréée de Bosch.

⚠ AVERTISSEMENT Les travaux à la machine tel que ponçage, sciage, meulage, perçage et autres travaux du bâtiment peuvent créer des poussières contenant des produits chimiques qui sont des causes reconnues de cancer, de malformation congénitale ou d'autres problèmes reproductifs. Ces produits chimiques sont, par exemple :

- Le plomb provenant des peintures à base de plomb,
- Les cristaux de silices provenant des briques et du ciment et d'autres produits de maçonnerie, et
- L'arsenic et le chrome provenant des bois traités chimiquement.

Le niveau de risque dû à cette exposition varie avec la fréquence de ces types de travaux. Pour réduire l'exposition à ces produits chimiques, il faut travailler dans un lieu bien ventilé et porter un équipement de sécurité approprié tel que certains masques à poussière conçus spécialement pour filtrer les particules microscopiques.





Consignes de sécurité de la ponceuse à orbite aléatoire

Débranchez la ponceuse avant de changer les accessoires. Une mise en marche accidentelle peut survenir si la ponceuse est branchée pendant le changement d'un accessoire.

Si votre outil est équipé d'un sac ou d'un récipient à poussière, ou d'un orifice pour tuyau d'aspiration de la poussière, videz le collecteur de poussière fréquemment, et après toute opération de ponçage. Procédez extrêmement soigneusement dans l'évacuation de la poussière, les matières sous forme de particules fines peuvent être explosives. Ne jetez pas le bran de scie sur des flammes nues. Une combustion spontanée peut parfois résulter d'un mélange d'huile ou d'eau avec des particules de poussière.

Portez toujours des lunettes de protection et un masque anti-poussières pour les applications poussiéreuses et lors du ponçage au-dessus de la tête. Des particules de ponçage peuvent être absorbées par vos yeux et inhalées facilement et peuvent causer des problèmes de santé.

Utilisez des précautions spéciales en ponçant le bois d'oeuvre traité chimiquement par pression, la peinture pouvant contenir du plomb, ou tout autre matériau qui peut contenir des agents cancérigènes. Toutes les personnes pénétrant dans la zone de travail doivent porter un respirateur et des vêtements protecteurs adéquats. L'aire de travail doit être scellée par des feuilles en plastique, et les personnes non protégées

doivent être maintenues à l'extérieur jusqu'à ce que l'aire de travail soit dûment nettoyée.

Ne poncez pas par voie humide à l'aide de cette ponceuse. La pénétration de liquides dans le carter du moteur constitue un risque de secousses électriques.

N'utilisez pas le patin autocollant sur les ponceuses à orbite aléatoire dont la vitesse dépasse 12 000 tr/min. Si la vitesse de service maximale du patin est dépassée, le patin peut se briser ou voler en éclats durant l'usage, frappant ainsi l'utilisateur ou les personnes présentes.

N'utilisez pas du papier de verre destiné à des blocs de ponçage plus gros. Le papier de verre de dimensions plus grandes fera saillie au-delà du bloc de ponçage entraînant ainsi des accrocs, un déchirement du papier ou un rebond. Le papier supplémentaire faisant saillie au-delà du bloc de ponçage peut également causer des lacérations graves.

Fixez à l'aide de brides ou assujettissez l'ouvrage en ponçant. La fixation de l'ouvrage à l'aide de brides l'empêche d'être éjecté depuis le dessous de la ponceuse et laisse les deux mains libres pour contrôler l'outil.

Tenez le cordon à l'écart du bloc en rotation et du papier de verre. Le cordon peut s'emmêler avec le bloc.



Symboles

IMPORTANT : Certains des symboles suivants peuvent être utilisés sur votre outil. Veuillez les étudier et apprendre leur signification. Une interprétation appropriée de ces symboles vous permettra d'utiliser l'outil de façon plus efficace et plus sûre.

Symbole	Nom	Désignation/Explication
V	Volts	Tension (potentielle)
A	Ampères	Courant
Hz	Hertz	Fréquence (cycles par seconde)
W	Watt	Puissance
kg	Kilogrammes	Poids
min	Minutes	Temps
s	Secondes	Temps
∅	Diamètre	Taille des mèches de perceuse, meules, etc.
n_0	Vitesse à vide	Vitesse de rotation, à vide
.../min	Tours ou mouvement alternatif par minute	Tours, coups, vitesse en surface, orbites, etc., par minute
0	Position d'arrêt	Vitesse zéro, couple zéro ...
1, 2, 3, ... I, II, III, ...	Réglages du sélecteur	Réglages de vitesse, de couple ou de position. Un nombre plus élevé signifie une vitesse plus grande
	Sélecteur variable à l'infini avec arrêt	La vitesse augmente depuis le réglage 0
	Flèche	Action dans la direction de la flèche
	Courant alternatif	Type ou caractéristique du courant
	Courant continu	Type ou caractéristique du courant
	Courant alternatif ou continu	Type ou caractéristique du courant
	Construction classe II	Désigne des outils construits avec double isolation
	Borne de terre	Borne de mise à la terre
	Symbole d'avertissement	Alerte l'utilisateur aux messages d'avertissement.
	Sceau Li-ion RBRC	Désigne le programme de recyclage des piles Li-ion.



Ce symbole signifie que cet outil est approuvé par Underwriters Laboratories.



Ce symbole signifie que cet outil est approuvé par l'Association canadienne de normalisation selon les normes des États-Unis et du Canada.



Ce symbole signifie que cet outil est approuvé par l'Association canadienne de normalisation.



Ce symbole signifie que cet outil est approuvé par Underwriters Laboratories selon les normes des États-Unis et du Canada.



Ce symbole signifie que cet outil est approuvé par Intertek Testing Services selon les normes des États-Unis et du Canada



Ce symbole signifie que cet outil se conforme aux normes mexicaines NOM.

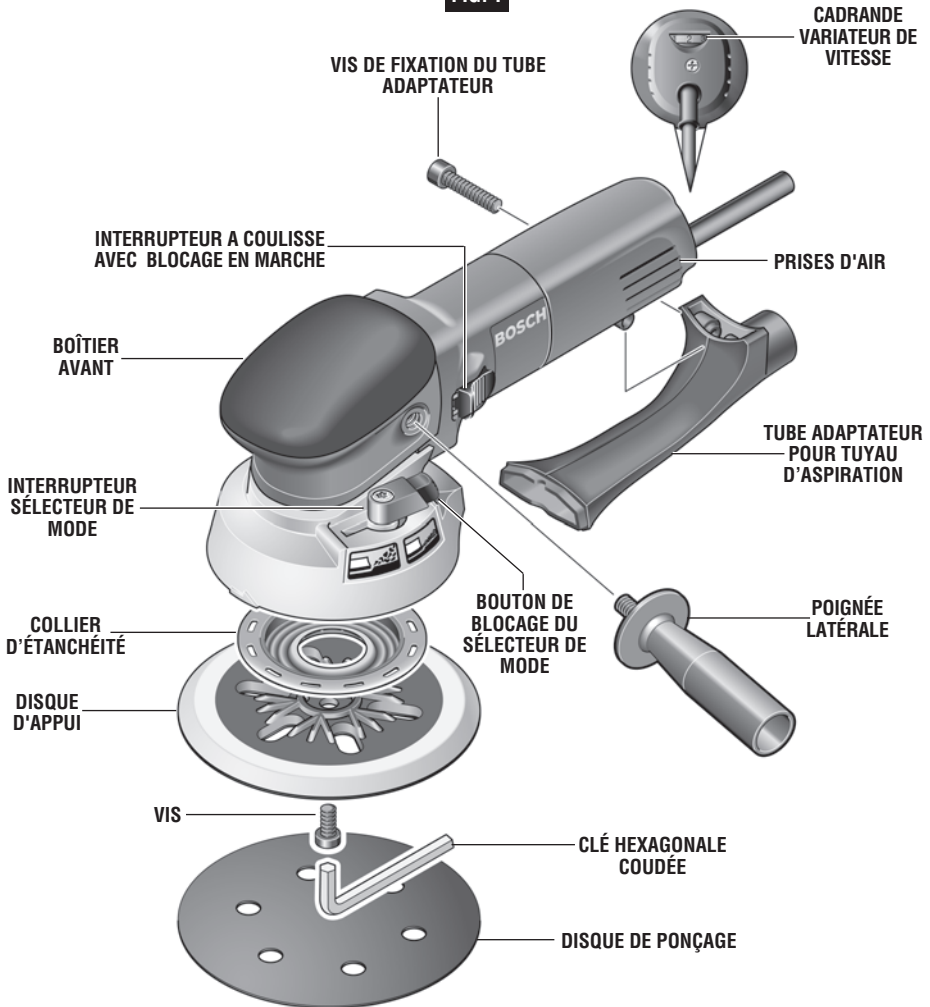
Description fonctionnelle et spécifications



AVERTISSEMENT Débranchez la fiche de la prise de courant avant d'effectuer quelque assemblage ou réglage que ce soit ou de changer les accessoires. Ces mesures de sécurité préventive réduisent le risque d'une mise en marche accidentelle de l'outil.

Ponceuse/lustreuse à mouvement orbital aléatoire

FIG. 1



Numéro de modèle
Tension nominale
Intensité nominale

1250DEVS
120 V ~ 50 - 60Hz
6,5 A

Vitesse à vide
Diamètre du disque
Diamètre abrasif

n_0 3 100-6 650/min
6 po (150 mm)
6 po (150 mm)

Assemblage

POSE DU DISQUE D'APPUI

La ponceuse à orbite aléatoire est équipée d'un disque d'appui de consistance souple qui convient aux applications générales. Les disques d'appui plus souples et plus fermes sont surtout réservés aux applications particulières.

Disque d'appui extra souple - Polissage et ponçage des surfaces plus grandes et incurvées.

Disque d'appui souple - Tous les polissages et ponçages généraux.

Disque d'appui ferme - Gros ponçage de surfaces plates, spécialement avec abrasif à gros grains.

Pour changer le disque d'appui, tenez-le fermement et, au moyen de la clé hexagonale coudée, tournez la vis dans le sens contraire des aiguilles d'une montre. Déposez le vieux disque d'appui et placez celui de rechange sur les chevilles de centrage de l'arbre de commande. Remettez la vis en place et serrez-la fermement dans le sens des aiguilles d'une montre avec la clé hexagonale. Les disques d'appui usés ou autrement endommagés doivent être remplacés immédiatement (Fig. 1).

POSE DES ACCESSOIRES

La ponceuse à orbite aléatoire utilise des accessoires à attaches qui s'accrochent fermement au disque d'appui à la moindre poussée. En cas de substitution, pelez simplement le présent accessoire, essuyez la poussière du disque s'il y a lieu et enfoncez l'accessoire de rechange à sa place. Ayez soin d'aligner les ouvertures du disque abrasif avec celles du disque d'appui si vous voulez que le dispositif d'extraction de la poussière fonctionne efficacement.

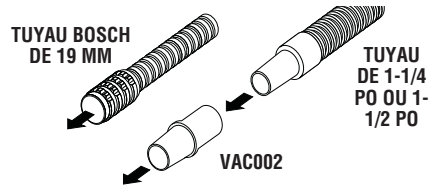
La surface du disque d'appui s'use avec le temps et il devra être remplacé quand il ne tient plus adéquatement. Si vous êtes en mesure d'observer l'usure prématurée de la surface du disque d'appui, appuyez moins fort sur la ponceuse.

RAMASSAGE DES POUSSIÈRES

Votre ponceuse est munie d'un tube amovible pour adapter un tuyau d'aspiration afin de ramasser la poussière et les copeaux. Le tube adaptateur pour tuyau d'aspiration sert de raccord pour le tuyau d'aspiration (en option).

Pour utiliser ce système, fixez le tube adaptateur pour tuyau d'aspiration à la semelle à l'aide de la vis fournie (Fig. 1).

Pour aspirer, un tuyau d'aspiration ou adaptateur pour tuyau d'aspiration Bosch Air Sweep (accessoires en option) peut être raccordé directement au tube adaptateur pour tuyau d'aspiration.



POIGNÉE LATÉRALE

La poignée latérale servant à guider et à équilibrer l'outil peut être vissée d'un côté ou l'autre du carter avant selon la préférence de l'utilisateur et la position la plus confortable. Servez-vous de la poignée latérale pour votre sécurité et la facilité d'utilisation.

Consignes de fonctionnement

INTERRUPTEUR A COULISSE AVEC BLOCAGE EN MARCHÉ

L'outil se met en marche à l'aide du bouton d'interrupteur situé sur le côté du carter du moteur. L'interrupteur peut être bloqué en position de marche, fonction commode pour les longues opérations de ponçage et polissage.

Pour mettre l'outil en marche sans le verrouiller, glissez l'interrupteur vers l'avant en appuyant SEULEMENT sur la partie ARRIÈRE du bouton. Au relâchement, le bouton retournera à la position d'arrêt.

POUR BLOQUER L'INTERRUPTEUR EN MARCHÉ, glissez l'interrupteur vers l'avant et appuyez sur la partie AVANT du bouton.

POUR DÉBLOQUER L'INTERRUPTEUR, appuyez simplement sur la partie ARRIÈRE du bouton et relâchez-le aussitôt. Étant donné que l'interrupteur est à ressort, il reviendra automatiquement.



AVERTISSEMENT

Tenez l'outil à deux mains à la mise en marche car le couple du moteur peut transmettre une certaine torsion.

Mettez l'outil en marche avant de le poser sur la pièce. De même, soulevez-le avant d'en relâcher l'interrupteur. Pour prolonger la durée de l'interrupteur, évitez de le mettre sous tension et hors tension pendant que l'outil est à l'oeuvre.

INTERRUPTEUR SÉLECTEUR DE MODE

Votre outil est muni d'un interrupteur sélecteur de mode qui vous permet de changer les caractéristiques d'enlèvement de matière de votre ponceuse.

Pour changer le mode de fonctionnement, appuyez sur le bouton de blocage du sélecteur de mode et tournez l'interrupteur jusqu'à ce que vous l'entendiez se verrouiller près du symbole désiré.

AVERTISSEMENT Pour éviter les blessures corporelles, ne changez pas de mode de fonctionnement pendant que la ponceuse est en marche.



Mode de fonctionnement 1

Ce mode de fonctionnement est conseillé pour enlever rapidement la matière sur des surfaces très rugueuses et peu délicates ainsi que pour lustrer.



Mode de fonctionnement 2

Ce mode de fonctionnement est conseillé pour les surfaces délicates aussi bien que pour le polissage fin.

CIRCUIT DE REACTION ELECTRONIQUE (CRE)

Le dispositif de réaction interne assure un « départ en douceur », réduisant ainsi les contraintes que procure un départ à couple élevé. Le système aide également à garder la vitesse à vide essentiellement constante entre les conditions à vide et de charge.

VARIATEUR DE VITESSE A CADRAN

Votre ponceuse est aussi équipée d'un variateur de vitesse à cadran. En tournant le cadran du boîtier, il est possible de régler la vitesse orbitale du disque d'appui depuis le repos jusqu'au nombre maximal d'orbites par minute inscrit sur la plaquette emblématique. Le cadran peut être réglé sur ou entre n'importe lequel des six repères (1 = lent à 6 = rapide).

Généralement, vous pouvez vous guider sur le tableau suivant quant au choix des disque abrasif et disque d'appui, mais un essai préalable sur une retaille produira de meilleurs résultats.

Matériau	Ponçage grossier	Ponçage fin	Réglage du cadran	Disque d'appui
Bois:	N° du grain	N° du grain		
Bois mous	40/60	240	5-6	extra souple/souple
Bois durs	40/60	180/240	5-6	souple
Contreplaqué	240	320/400	5	extra souple/souple
Métaux:				
Acier	80/180	400	5	ferme
Acier inoxydable	120	240	5	souple
Aluminium	80	240/400	4-5	souple
Aaches de rouille	40	120	6	souple
Peinture synthétique				
Ponçage	180	400	4-5	souple
Égratignures	120	220	3-4	ferme
Décapage	40/60	80/120	5-6	souple
Peinture acrylique				
Ponçage	180	320/400	4-5	souple
Égratignures	120	240	4-5	ferme
Décapage	40/60	80/120	2-3	souple
Plastiques				
PC / polystyrène	120	240	3-5	extra souple/souple
Thermoplastiques	60	180	1-3	souple
Plastiques renforcés fibre de verre	80/120	240/400	1-3	souple/ferme
Bétons de résine	120	180/400	4-6	souple



Conseils pratiques

PONÇAGE : L'usage de disques de ponçage d'alumine à revêtement ouvert est recommandé pour la plupart des travaux de ponçage du bois ou des métaux, étant donné que ce matériel synthétique est passablement résistant et travaille en rapidité. Certains travaux, tels que la finition des plastiques, du verre ou de la pierre exigent l'usage de disques au carbure de silicone dont le rebord est très coupant. Pour de meilleurs résultats, utilisez les accessoires de ponçage et de polissage Bosch qui sont de qualité supérieure et sont choisis soigneusement de manière à produire des résultats de qualité professionnelle avec votre ponceuse.

Quand le matériau est fermement en place, appuyez sur la gâchette alors que vous vous apprêtez à poser le disque sur la surface à poncer. NE pesez PAS à l'excès car vous ralentirez le disque et, surtout, NE mettez PAS l'outil en marche et n'accélérez pas avant de le poser sur la surface; dans un cas comme dans l'autre, vous produirez des tourbillons. Généralement, le ponçage aux hautes vitesses et à pression modérée produit les meilleurs résultats. Vous ne gagnez rien en appliquant PLUS DE PRESSION SUR L'OUTIL. Optez plutôt pour un disque à grain plus gros. Déplacez la ponceuse par de longues courses de balayage, en parallèle au grain du bois, en ayant recours à un certain mouvement latéral en vue de chevaucher les courses dans une proportion allant jusqu'à 75 %. L'action orbitale aléatoire permet de poncer perpendiculairement aux fibres, mais prenez garde de ne pas incliner la ponceuse près des bords pour ne pas les arrondir involontairement.

Si la surface est rugueuse, commencez avec un disque à grain plus gros, puis finissez avec un à grain moyen suivi d'un à grain fin. Étant donné que l'action orbitale aléatoire est si efficace, il est souvent possible de commencer avec un disque de ponçage à grain moyen et passer directement à la finition. Pour éviter de gouger la surface, ne «sautez» pas plus d'une grosseur de grain quand vous passez d'un plus gros

grain à un plus fin; ne vous attardez pas trop longtemps au même endroit non plus. À la fin, relâchez la gâchette et levez délicatement l'outil au même moment.

POLISSAGE : La plupart du temps, le disque d'appui extra souple vous donnera les meilleurs résultats. La ponceuse à orbite aléatoire peut être équipée d'un tampon mousse à polir ou d'une tampon d'applicateur d'éponge (accessoires en option) pour enlever les égratignures des surfaces peintes, des finis, des plastiques et même du verre. Le mode d'emploi est pratiquement le même que celui du ponçage sauf les points suivants:

Pour enlever les égratignures et restaurer les finis altérés par les intempéries, appliquez, sans trop peser, d'un mouvement circulaire, la pâte à l'aide d'un tampon à polir. N'utilisez pas plus de pâte qu'il faut et nettoyez l'éponge fréquemment.

Lorsque le polissage initial est terminé, essuyez l'excès de pâte avec une serviette douce, puis finissez de polir la surface avec la coiffe. Pour de meilleurs résultats, chevauchez délicatement vos courses.

Il importe de noter que la vitesse de l'orbite de la ponceuse à orbite aléatoire n'est pas la même que celle d'une polisseuse d'angle standard. L'action de l'orbite aléatoire se compare favorablement à celle d'un puissant polissage à la main et, en conséquence, se dispense des hautes vitesses à la circonférence du disque qui peuvent brûler la surface. C'est la raison pour laquelle il est possible d'utiliser cette ponceuse à un régime «OPM» supérieur à celui recommandé pour une polisseuse standard. Exercez-vous sur une partie dissimulée ou une surface d'essai jusqu'à ce que vous ayez établi que l'outil convient à votre application de polissage.

Nettoyez les disque et tampon d'applicateur d'éponge avec un détergent doux et de l'eau tiède. N'utilisez PAS de dissolvants.

Entretien

Service

⚠ AVERTISSEMENT Tout entretien préventif effectué par des personnels non autorisés peut résulter en mauvais placement de fils internes ou de pièces, ce qui peut présenter un danger grave. Nous vous conseillons de faire faire tout l'entretien par un centre de service d'usine Bosch ou une station service agréée Bosch.

LUBRIFICATION DE L'OUTIL

Votre outil Bosch a été lubrifié correctement en usine et il est prêt à l'utilisation. Nous vous conseillons de re-graisser les outils qui comportent des engrenages avec un lubrifiant à engrenages spécial à chaque fois que vous changez les balais.



BALAIS OU CHARBONS

Les balais (ou charbons) et le collecteur de votre outil ont été conçus pour apporter de nombreuses heures de fonctionnement fiable. Pour maintenir le rendement du moteur à son maximum, nous vous conseillons de contrôler les balais tous les deux à six mois. Il ne faut utiliser que des balais de rechange Bosch d'origine et conçus pour votre outil.

PALIER

Après environ 300 à 400 heures de fonctionnement ou tous les deux changements de balais, il est conseillé de faire remplacer les paliers par un centre de service d'usine Bosch ou une station service agréée Bosch. Si les paliers commencent à faire du bruit (à cause de surcharges importantes ou du toupillage de matériaux très abrasifs) il faut les faire remplacer immédiatement pour éviter la surchauffe ou une panne de moteur.

Nettoyage

⚠ AVERTISSEMENT

Pour éviter les accidents, il faut toujours débrancher l'outil avant de le nettoyer ou de l'entretenir. Le meilleur moyen de nettoyer l'outil est d'utiliser de l'air comprimé sec. **Il faut toujours porter des lunettes de protection quand on utilise de l'air comprimé.**

Les ouïes de ventilation et les leviers de l'interrupteur doivent rester propres et exempts de corps étrangers. Ne tentez pas de les nettoyer en enfonçant des objets pointus dans les orifices.

⚠ MISE EN GARDE

Certains agents de nettoyages et certains dissolvants abîment les pièces en plastique. Parmi ceux-ci se trouvent: l'essence, le tétrachlorure de carbone, les dissolvants de nettoyage chlorés, l'ammoniaque ainsi que les détergents domestiques qui en contiennent.

Accessoires

⚠ AVERTISSEMENT

Si un cordon de rallonge s'avère nécessaire, vous devez utiliser un cordon avec conducteurs de dimension adéquate pouvant porter le courant nécessaire à votre outil. Ceci préviendra une chute excessive de tension, une perte de courant ou une surchauffe. Les outils mis à la terre doivent utiliser des cordons de rallonge trifilaires pourvus de fiches à trois broches ainsi que des prises à trois broches.

REMARQUE : Plus le calibre est petit, plus le fil est gros.

DIMENSIONS DE RALLONGES RECOMMANDÉES OUTILS 120 VOLTS COURANT ALTERNATIF

Intensité nominale de l'outil	Calibre A.W.G.				Calibre en mm ²			
	Longueur en pieds				Longueur en mètres			
	25	50	100	150	15	30	60	120
3-6	18	16	16	14	0,75	0,75	1,5	2,5
6-8	18	16	14	12	0,75	1,0	2,5	4,0
8-10	18	16	14	12	0,75	1,0	2,5	4,0
10-12	16	16	14	12	1,0	2,5	4,0	—
12-16	14	12	—	—	—	—	—	—

(* = équipement de série)

(** = accessoires optionnels)

- * Clé hexagonale coudée 6mm
- * Poignée auxiliaire
- * Disque de ponçage
- * Disque d'appui souple

- * Tube adaptateur pour tuyau d'aspiration
- ** Adaptateur pour tuyau d'aspiration
- ** Disque d'appui extra souple
- ** Disque d'appui ferme
- ** Tuyaux d'aspiration
- ** Tampon mousse à polir
- ** Tampon d'applicateur d'éponge



Advertencias generales de seguridad para herramientas mecánicas



ADVERTENCIA Lea todas las advertencias de seguridad e instrucciones. Si no se siguen las advertencias e instrucciones, el resultado podría ser sacudidas eléctricas, incendio y/o lesiones graves.

GUARDE TODAS LAS ADVERTENCIAS E INSTRUCCIONES PARA REFERENCIA FUTURA

La expresión “herramienta mecánica” en todas las advertencias se refiere a su herramienta mecánica alimentada por la red eléctrica (herramienta alámbrica) o su herramienta mecánica alimentada por baterías (herramienta inalámbrica).

Seguridad del área de trabajo

Mantenga el área de trabajo limpia y bien iluminada.

Las áreas desordenadas u oscuras invitan a que se produzcan accidentes.

No utilice herramientas mecánicas en atmósferas explosivas, como por ejemplo en presencia de líquidos, gases o polvos inflamables. Las herramientas mecánicas generan chispas que pueden incendiar el polvo o los vapores.

Mantenga alejados a los niños y a las personas que estén presentes mientras esté utilizando una herramienta mecánica. Las distracciones pueden hacerle perder el control de la herramienta.

Seguridad eléctrica

Los enchufes de las herramientas mecánicas deben coincidir con el tomacorriente. No modifique nunca el enchufe de ningún modo. No use enchufes adaptadores con herramientas mecánicas conectadas a tierra (puestas a tierra). Los enchufes no modificados y los tomacorrientes coincidentes reducirán el riesgo de sacudidas eléctricas.

Evite el contacto del cuerpo con las superficies conectadas o puestas a tierra, tales como tuberías, radiadores, estufas y refrigeradores. Hay un aumento del riesgo de sacudidas eléctricas si el cuerpo del operador se conecta o pone a tierra.

No exponga las herramientas mecánicas a la lluvia o a condiciones mojadas. La entrada de agua en una herramienta mecánica aumentará el riesgo de que se produzcan sacudidas eléctricas.

No maltrate el cordón de energía. No use nunca el cordón para transportar la herramienta mecánica, tirar de ella o desenchufarla. Mantenga el cordón alejado del calor, el aceite, los bordes afilados o las piezas móviles. Los cordones dañados o enganchados aumentan el riesgo de que se produzcan sacudidas eléctricas.

Cuando utilice una herramienta mecánica en el exterior, use un cordón de extensión adecuado para uso a la intemperie. La utilización de un cordón adecuado para uso a la intemperie reduce el riesgo de que se produzcan sacudidas eléctricas.

Si es inevitable utilizar una herramienta mecánica en un lugar húmedo, utilice una fuente de energía

protegida por un interruptor de circuito accionado por corriente de pérdida a tierra (GFCI). El uso de un GFCI reduce el riesgo de sacudidas eléctricas.

Seguridad personal

Manténgase alerta, fíjese en lo que está haciendo y use el sentido común cuando esté utilizando una herramienta mecánica. No use una herramienta mecánica cuando esté cansado o bajo la influencia de drogas, alcohol o medicamentos. Un momento de distracción mientras esté utilizando herramientas mecánicas podría causar lesiones corporales graves.

Use equipo de protección personal. Use siempre protección de los ojos. El equipo de protección, como por ejemplo una máscara antipolvo, calzado de seguridad antideslizante, casco o protección de oídos, utilizado para las condiciones apropiadas, reducirá las lesiones corporales.

Evite el arranque accidental. Asegúrese de que el interruptor esté en la posición de apagado antes de conectar la herramienta a la fuente de energía y / o al paquete de batería, levantar la herramienta o transportarla. Transportar herramientas mecánicas con un dedo en el interruptor o encender herramientas mecánicas que tengan el interruptor en la posición de encendido invita a que se produzcan accidentes.

Quite todas las llaves de ajuste o de tuerca antes de encender la herramienta mecánica. Una llave de tuerca o de ajuste que se deje colocada en una pieza giratoria de la herramienta mecánica podría causar lesiones corporales.

No intente alcanzar demasiado lejos. Mantenga un apoyo de los pies y un equilibrio apropiados en todo momento. Esto permite controlar mejor la herramienta mecánica en situaciones inesperadas.

Vístase adecuadamente. No use ropa holgada ni alhajas holgadas. Mantenga el pelo, la ropa y los guantes alejados de las piezas móviles. La ropa holgada, las alhajas holgadas o el pelo largo pueden quedar atrapados en las piezas móviles.

Si se proporcionan dispositivos para la conexión de instalaciones de extracción y recolección de polvo, asegúrese de que dichas instalaciones estén conectadas y se usen correctamente. El uso de dispositivos de recolección de polvo puede reducir los peligros relacionados con el polvo.





Uso y cuidado de las herramientas mecánicas

No fuerce la herramienta mecánica. Use la herramienta mecánica correcta para la aplicación que desee realizar. La herramienta mecánica correcta hará el trabajo mejor y con más seguridad a la capacidad nominal para la que fue diseñada.

No use la herramienta mecánica si el interruptor no la enciende y apaga. Toda herramienta mecánica que no se pueda controlar con el interruptor es peligrosa y debe ser reparada.

Desconecte el enchufe de la fuente de energía y/o el paquete de batería de la herramienta mecánica antes de hacer cualquier ajuste, cambiar accesorios o almacenar herramientas mecánicas. Dichas medidas preventivas de seguridad reducen el riesgo de arrancar accidentalmente la herramienta mecánica.

Guarde las herramientas que no esté usando fuera del alcance de los niños y no deje que personas que no estén familiarizadas con la herramienta mecánica o con estas instrucciones utilicen la herramienta. Las herramientas mecánicas son peligrosas en manos de usuarios que no hayan recibido capacitación.

Mantenga las herramientas mecánicas. Compruebe si hay piezas móviles desalineadas o que se atoran, si

hay piezas rotas y si existe cualquier otra situación que podría afectar el funcionamiento de la herramienta mecánica. Si la herramienta mecánica está dañada, haga que la reparen antes de usarla. Muchos accidentes son causados por herramientas mecánicas mantenidas deficientemente.

Mantenga las herramientas de corte afiladas y limpias. Es menos probable que las herramientas de corte mantenidas apropiadamente, con bordes de corte afilados, se atoren, y dichas herramientas son más fáciles de controlar.

Utilice la herramienta mecánica, los accesorios, las brocas de la herramienta, etc., de acuerdo con estas instrucciones, teniendo en cuenta las condiciones de trabajo y el trabajo que se vaya a realizar. El uso de la herramienta mecánica para operaciones distintas a aquéllas para las que fue diseñada podría causar una situación peligrosa.

Servicio de ajustes y reparaciones

Haga que su herramienta mecánica reciba servicio de un técnico de reparaciones calificado, utilizando únicamente piezas de repuesto idénticas. Esto asegurará que se mantenga la seguridad de la herramienta mecánica.

Advertencias de seguridad adicionales

Un GFCI y los dispositivos de protección personal, como guantes de goma y calzado de goma de electricista, mejorarán más su seguridad personal.

No use herramientas mecánicas con capacidad nominal solamente para CA con una fuente de energía de CC. Aunque pueda parecer que la herramienta funciona correctamente, es probable que los componentes eléctricos de la herramienta con capacidad nominal para CA fallen y creen un peligro para el operador.

Mantenga los mangos secos, limpios y libres de aceite y grasa. Las manos resbalosas no pueden controlar de modo seguro la herramienta mecánica.

Use abrazaderas u otro modo práctico de sujetar y soportar la pieza de trabajo en una plataforma estable. Si se sujeta la pieza de trabajo con la mano o contra el cuerpo, se crea una situación inestable que podría causar pérdida de control.

Desarrolle un programa de mantenimiento periódico de la herramienta. Cuando limpie una herramienta, tenga cuidado de no desmontar ninguna de sus partes, ya que los cables internos podrían reubicarse incorrectamente o pellizcarse, o los resortes de retorno de los protectores de seguridad podrían montarse incorrectamente. Ciertos agentes de

limpieza, tales como gasolina, tetracloruro de carbono, amoníaco, etc., podrían dañar las piezas de plástico.

Riesgo de lesiones para el usuario. El cordón de energía debe recibir servicio de ajustes y reparaciones solamente por un Centro de Servicio de Fábrica Bosch o una Estación de Servicio Bosch Autorizada.

⚠ ADVERTENCIA Cierta polvo generado por el lijado, aserrado, amolado y taladrado mecánicos, y por otras actividades de construcción, contiene agentes químicos que se sabe que causan cáncer, defectos de nacimiento u otros daños sobre la reproducción. Algunos ejemplos de estos agentes químicos son:

- Plomo de pinturas a base de plomo,
- Sílice cristalina de ladrillos y cemento y otros productos de mampostería, y
- Arsénico y cromo de madera tratada químicamente.

Su riesgo por causa de estas exposiciones varía, dependiendo de con cuánta frecuencia realice este tipo de trabajo. Para reducir su exposición a estos agentes químicos: trabaje en un área bien ventilada y trabaje con equipo de seguridad aprobado, como por ejemplo máscaras antipolvo que estén diseñadas especialmente para impedir mediante filtración el paso de partículas microscópicas.





Normas de seguridad para lijadoras de órbita al azar

Desenchufe la lijadora antes de cambiar accesorios. Se pueden producir arranques accidentales si la lijadora está enchufada mientras se cambia un accesorio.

Si su herramienta está equipada con una bolsa para polvo, un recipiente para polvo o un orificio para polvo para manguera de aspiración, vacíe el recipiente para polvo frecuentemente y después de completar la operación de lijado. Sea extremadamente cuidadoso al eliminar el polvo, ya que los materiales en forma de partículas finas pueden ser explosivos. No tire el polvo resultante del lijado a un fuego abierto. Al cabo del tiempo se puede producir una combustión espontánea como consecuencia de la mezcla de aceite o agua con las partículas de polvo.

Use siempre protección para los ojos y una máscara antipolvo para aplicaciones que generen polvo y al lijar en alto. Las partículas resultantes del lijado pueden ser absorbidas por los ojos e inhaladas fácilmente y pueden causar complicaciones de salud.

Use precauciones especiales al lijar madera tratada químicamente a presión, pintura que pueda estar basada en plomo o cualquier otro material que pueda contener carcinógenos. Todas las personas que entren en el área de trabajo deben usar un aparato de respiración adecuado y ropa protectora. El área de

trabajo debe cerrarse con cubiertas colgantes de plástico y debe mantenerse fuera a las personas no protegidas hasta que el área de trabajo haya sido limpiada a fondo.

No lije en mojado con esta lijadora. La entrada de líquidos en la caja del motor constituye un peligro de sacudidas eléctricas.

No utilice la zapata de PSA en lijadoras de órbita al azar cuya velocidad exceda de 12,000 RPM/min. Si se excede la velocidad máxima de funcionamiento de la zapata, ésta puede romperse o salir despedida durante el uso, golpeando al usuario o a las personas que se encuentren presentes.

No use papel de lija diseñado para zapatas de lijar más grandes. El papel de lija más grande sobresaldrá de la zapata de lijar, causando atasco y rasgado del papel o retroceso. El papel extra que sobresalga de la zapata de lijar también puede causar laceraciones graves.

Fije con abrazaderas o asegure la pieza de trabajo al lijar. Al fijar con abrazaderas la pieza de trabajo se evita que ésta salga despedida de debajo de la lijadora y se dejan libres las dos manos para controlar la herramienta.

Mantenga el cordón alejado de la zapata y del papel de lija que giran. El cordón se puede enredar en la zapata.



Símbolos

IMPORTANTE: Es posible que algunos de los símbolos siguientes se usen en su herramienta. Por favor, estúdielos y aprenda su significado. La interpretación adecuada de estos símbolos le permitirá utilizar la herramienta mejor y con más seguridad.

Símbolo	Nombre	Designación/explicación
V	Volt	Tensión (potencial)
A	Ampere	Corriente
Hz	Hertz	Frecuencia (ciclos por segundo)
W	Watt	Potencia
kg	Kilogramo	Peso
min	Minuto	Tiempo
s	Segundo	Tiempo
∅	Diámetro	Tamaño de las brocas taladradoras, muelas, etc
n_0	Velocidad sin carga	Velocidad rotacional sin carga
.../min	Revoluciones o alternación por minuto	Revoluciones, golpes, velocidad de superficie, órbitas, etc., por minuto
0	Posición "off" (apagado)	Velocidad cero, par motor cero...
1, 2, 3, ... I, II, III,	Graduaciones del selector	Graduaciones de velocidad, par motor o posición. Un número más alto significa mayor velocidad
	Selector infinitamente variable con apagado	La velocidad aumenta desde la graduación de 0
	Flecha	Acción en la dirección de la flecha
	Corriente alterna	Tipo o una característica de corriente
	Corriente continua	Tipo o una característica de corriente
	Corriente alterna o continua	Tipo o una característica de corriente
	Construcción de clase II	Designa las herramientas de construcción con aislamiento doble.
	Terminal de toma de tierra	Terminal de conexión a tierra
	Símbolo de advertencia	Alerta al usuario sobre mensajes de advertencia
	Sello RBRC de Li-ion	Designa el programa de reciclaje de baterías de Li-ion



Este símbolo indica que esta herramienta está catalogada por Underwriters Laboratories.



Este símbolo indica que la Canadian Standards Association ha catalogado esta herramienta indicando que cumple con las normas estadounidenses y canadienses.



Este símbolo indica que esta herramienta cumple con la norma mexicana oficial (NOM).



Este símbolo indica que esta herramienta está catalogada por la Canadian Standards Association.



Este símbolo indica que Underwriters Laboratories ha catalogado esta herramienta indicando que cumple con las normas estadounidenses y canadienses.



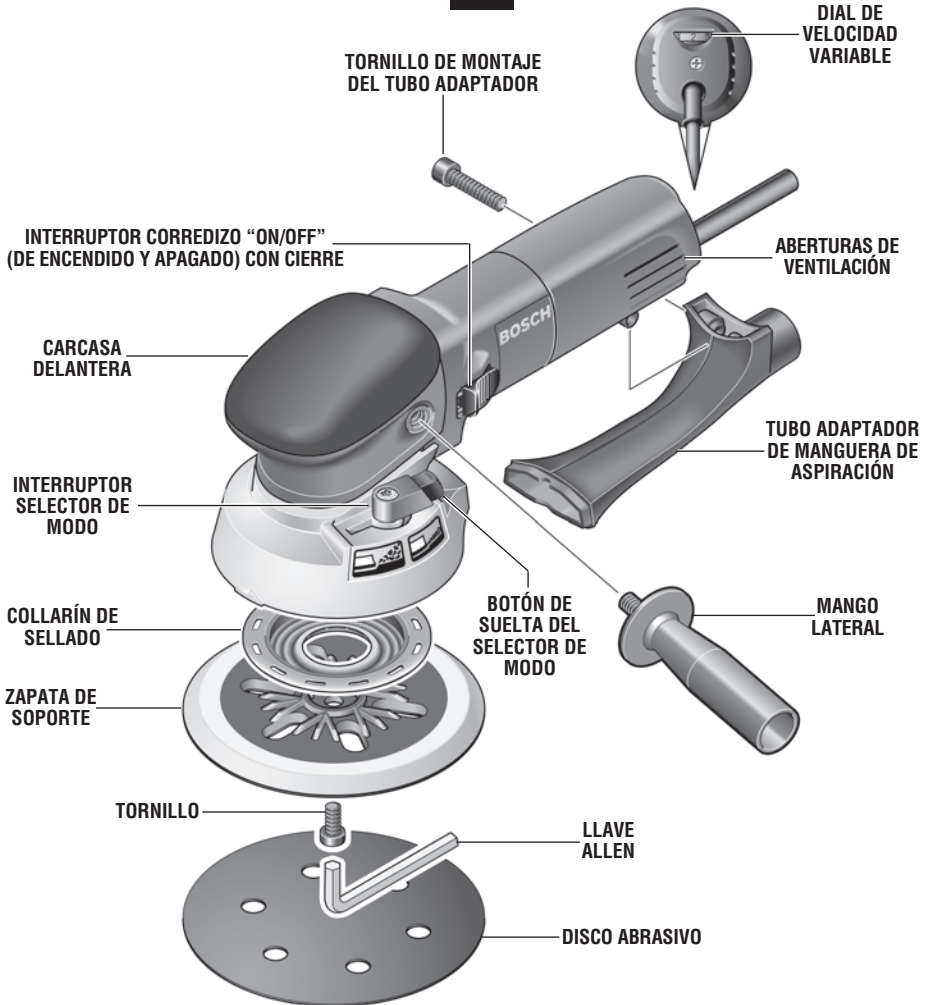
Este símbolo indica que Intertek Testing Services ha catalogado esta herramienta indicando que cumple con las normas estadounidenses y canadienses.

Descripción funcional y especificaciones

ADVERTENCIA Desconecte el enchufe de la fuente de energía antes de realizar cualquier ensamblaje o ajuste, o cambiar accesorios. Estas medidas de seguridad preventivas reducen el riesgo de arrancar la herramienta accidentalmente.

Lijadora/pulidora de órbita al azar

FIG. 1



Número de modelo	1250DEVS	Velocidad sin carga	n_0 3,100-6,650/min
Tensión nominal	120 V ~ 50 - 60Hz	Diámetro de la zapata	(150 mm)
Amperaje nominal	6,5 A	Diámetro del abrasivo	(150 mm)

Ensamblaje

INSTALACION DE LA ZAPATA DE SOPORTE

La lijadora de órbita al azar está equipada con una zapata de soporte de dureza blanda, la cual es adecuada para servicio general. Hay zapatas más duras y más blandas disponibles para otros propósitos y en general se utilizan como se indica a continuación:

Zapata extra blanda - Pulido o lijado de superficies grandes o curvadas.

Zapata blanda - Lijado y pulido generales para todo propósito.

Zapata dura - Lijado fuerte sobre superficies planas, especialmente con abrasivos más gruesos.

Para cambiar la zapata de soporte, sujete la zapata firmemente y gire el tornillo en sentido contrario al de las agujas del reloj con la llave Allen. Quite la zapata vieja y coloque la zapata nueva sobre los pasadores posicionadores del eje motriz. Vuelva a colocar el tornillo y apriételo firmemente en el sentido de las agujas del reloj con la llave Allen. Las zapatas de soporte dañadas o desgastadas se deben cambiar inmediatamente (Fig. 1).

INSTALACION DE ACCESORIOS

La lijadora de órbita al azar utiliza accesorios con soporte de enganche y cierre, los cuales agarran firmemente la zapata cuando se aplican con una presión moderada. Para cambiar el accesorio, simplemente despegue el accesorio viejo, quite el polvo de la zapata si es necesario y presione sobre el accesorio nuevo para colocarlo en su sitio. Asegúrese de alinear los agujeros del disco de lijado con los agujeros de la zapata de soporte para permitir que el sistema de extracción de polvo funcione.

Después de un servicio considerable, la superficie de la zapata se desgastará y la zapata se debe cambiar cuando

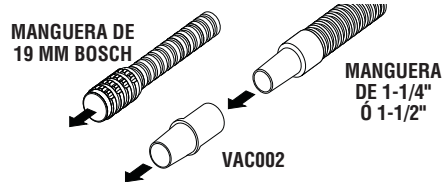
ya no ofrezca un agarre firme. Si se produce un desgaste prematuro del refrentado de la zapata, reduzca la cantidad de presión que usted ejerce durante la utilización de la herramienta.

EXTRACCIÓN DE POLVO

La lijadora está equipada con un tubo adaptador de manguera de aspiración desmontable para la extracción de polvo y virutas. El tubo adaptador de manguera de aspiración sirve de conector a la manguera de aspiración opcional.

Para utilizar esta característica, acople el tubo adaptador de manguera de aspiración a la placa-base con el tornillo provisto (Fig. 1).

Para recoger material con la aspiradora, se puede conectar directamente una manguera de aspiración o adaptateur de manguera de aspiración Air Sweep de Bosch (accesorios opcionales) al tubo adaptador de manguera de aspiración.



MANGO LATERAL

El mango lateral, utilizado para guiar y equilibrar la herramienta, se puede enroscar en la parte delantera de la caja del motor en cualquiera de los dos lados de la herramienta, dependiendo de la preferencia personal y de la comodidad. Utilice el mango lateral para un control seguro y una utilización fácil.

Instrucciones de funcionamiento

INTERRUPTOR CORREDIZO "ON/OFF" (DE ENCENDIDO Y APAGADO) CON CIERRE

La herramienta se enciende con el botón del interruptor ubicado en un lado de la caja del motor. El interruptor se puede fijar en la posición "ON" (encendido), lo cual resulta práctico al realizar operaciones prolongadas de lijado y pulido.

Para encender la herramienta (posición "ON") sin dejarla fija, deslice el botón de interruptor hacia adelante ejerciendo presión ÚNICAMENTE sobre la parte de ATRAS del botón. Al soltar completamente el botón del interruptor, éste volverá a la posición "OFF".

PARA FIJAR EL INTERRUPTOR EN LA POSICION "ON", deslice el botón del interruptor hacia adelante y OPRIMA la parte DELANTERA.

PARA DESBLOQUEAR EL INTERRUPTOR, simplemente oprima y suelte la parte de ATRAS del botón. El interruptor está accionado por resorte y saltará de vuelta automáticamente.

⚠ ADVERTENCIA Agarre la herramienta con las dos manos cuando arranque la herramienta, ya que el par de fuerzas del motor puede hacer que la herramienta se vuelva.

Arranque la herramienta antes de aplicarla a la pieza de trabajo. Levante la herramienta de la pieza de trabajo antes de soltar el interruptor. NO encienda y apague el interruptor mientras la herramienta está sometida a carga; esto acortará enormemente la vida del interruptor.

INTERRUPTOR SELECTOR DE MODO

La herramienta está equipada con un interruptor selector de modo que le permite cambiar la capacidad de remoción de la lijadora.

Para cambiar los modos de funcionamiento, oprima el botón de suelta del selector de modo y gire el interruptor hasta que oiga como se acopla cerca del símbolo de funcionamiento deseado.

ADVERTENCIA Para prevenir lesiones personales, no cambie el interruptor selector de modo mientras la lijadora esté en funcionamiento.



Modo de funcionamiento 1

Este modo de funcionamiento se recomienda para la remoción rápida de material en superficies muy ásperas e insensibles, así como para bruñir.



Modo de funcionamiento 2

Este modo de funcionamiento se recomienda para superficies sensibles, así como para realizar pulido fino.

CIRCUITOS ELECTRONICOS DE RETROALIMENTACION (CER)

El sistema electrónico interno de retroalimentación proporciona un “arranque suave” que reducirá las tensiones que se producen como consecuencia de un arranque de par motor alto. El sistema también ayuda a mantener la velocidad de percusión y la velocidad de rotación prácticamente constantes entre la situación sin carga y la situación con carga.

VELOCIDAD VARIABLE CON AJUSTE DE DIAL

La lijadora también está equipada con un dial de velocidad variable. La velocidad orbital de la zapata de la lijadora se puede prefijar desde cero hasta las OPM máximas indicadas en la placa del fabricante girando el dial que está en la caja protectora. El dial se puede situar en una de seis posiciones o entre cualquiera de ellas (1=baja a 6=alta).

La tabla siguiente se puede utilizar como guía general para la selección del abrasivo y de la zapata de soporte, pero los mejores resultados se obtendrán lijando primero una muestra de prueba de la pieza de trabajo.

Material	Lijado basto	Lijado fino	Posición del interruptor	Zapata de soporte
Maderas:	Tamaño del grano	Tamaño del grano		
Maderas blandas	40/60	240	5-6	extra blanda/blanda
Maderas duras	40/60	180/240	5-6	blanda
Enchapados	240	320/400	5	extra blanda/blanda
Metales:				
Acero	80/180	400	5	dura
Inoxidable	120	240	5	blanda
Aluminio	80	240/400	4-5	blanda
Áreas de herrumbre	40	120	6	blanda
Pintura sintética				
Lijado	180	400	4-5	blanda
Arañazos	120	220	3-4	dura
Desferrado	40/60	80/120	5-6	blanda
Pintura acrílica				
Lijado	180	320/400	4-5	blanda
Arañazos	120	240	4-5	dura
Desferrado	40/60	80/120	2-3	blanda
Plásticos				
PC/poliestireno	120	240	3-5	extra blanda/blanda
Termoplásticos	60	180	1-3	blanda
Plásticos reforzados con fibra de vidrio	80/120	240/400	1-3	blanda/dura
Superficies macizas	120	180/400	4-6	blanda



“Consejos para la herramienta”

LIJADO: los discos de lijar de capa abierta de óxido de aluminio se recomiendan para la mayoría de las aplicaciones de lijado de madera o metal, ya que este material sintético corta rápidamente y resiste bien. Algunas aplicaciones, tales como el lijado de plásticos, vidrio o piedra requieren discos de carburo de silicio, que tienen un borde de corte muy afilado. Para obtener resultados óptimos, utilice accesorios de lijar y pulir Bosch, que son de calidad superior y se seleccionan cuidadosamente para producir resultados de calidad profesional con la lijadora.

Con la pieza de trabajo sujeta firmemente, oprima el interruptor a la vez que aplica la zapata a la superficie de trabajo. NO ejerza una presión excesiva, ya que esto retardará la acción de la zapata y NO arranque la herramienta y deje que alcance toda su velocidad antes de aplicarla a la superficie de trabajo; en ambos casos se producirán marcas de remolino. En general, las velocidades más altas y una presión moderada producirán los mejores resultados. Si se desea una remoción más rápida, NO AUMENTE LA PRESION SOBRE LA HERRAMIENTA; utilice un grado más grueso de abrasivo. Mueva la lijadora en pasadas de barrido largas, paralelas a la veta, utilizando un ligero movimiento lateral para superponer las pasadas hasta en un 75%. La acción de órbita al azar permite el lijado en dirección transversal a la veta, pero tenga cuidado de no inclinar la lijadora cerca de los bordes o se puede producir un redondeo no deseado.

Si la superficie es áspera, comience con granos más gruesos y luego termine el alisamiento con abrasivos medianos y finos. Como la acción de órbita al azar es tan eficaz, a menudo es posible comenzar a lijar con un disco de grano mediano y pasar directamente al acabado fino. Para evitar resultados desiguales, no se salte más de un tamaño de grano cuando pase de más grueso a más fino, y no lije en un área demasiado tiempo. Cuando se haya acabado el trabajo, suelte el interruptor y al mismo tiempo levante suavemente la herramienta de la superficie de trabajo.

PULIDO: para la mayoría de los trabajos de pulido, la zapata de soporte extra blanda producirá los mejores resultados. A la lijadora de órbita al azar se le puede colocar una zapata de pulir de espuma o un aplicador de la esponja para pulir o quitar arañazos de superficies pintadas o acabadas, plásticos e incluso vidrio. La herramienta se utiliza de manera muy parecida a como cuando se lija, pero se deben observar los puntos siguientes:

Aplique la pasta de pulir a la superficie y utilice el aplicador de la esponja con una presión ligera y un movimiento circular para quitar arañazos y restaurar acabados desgastados por la intemperie. Utilice sólo tanta pasta como sea necesario y limpie la esponja frecuentemente durante su utilización.

Cuando se haya terminado el pulido inicial, limpie el exceso de pasta con una toalla suave y luego pula la superficie hasta su acabado final con la zapata de pulir. Realice pasadas suaves y superpuestas para obtener mejores resultados.

Es importante mencionar que la velocidad orbital de la lijadora de órbita al azar no es la misma que las RPM de una pulidora de ángulo recto estándar. La acción de órbita al azar es muy parecida a una poderosa acción de pulido a mano y por lo tanto no tiene al borde de la zapata las altas velocidades que pueden quemar la superficie de trabajo. Por esta razón, es posible seleccionar unas OPM más altas para la lijadora de órbita al azar que las RPM recomendadas para una pulidora estándar. Practique en un área oculta o en una superficie de prueba hasta que haya determinado que la herramienta es adecuada para la aplicación de pulido que desea realizar.

Limpie la zapata de pulir y el aplicador de la esponja con detergentes suaves y agua tibia. NO utilice disolventes.

Mantenimiento

Servicio



ADVERTENCIA El mantenimiento preventivo realizado por personal no autorizado puede dar lugar a la colocación incorrecta de cables y componentes internos que podría constituir un peligro serio. Recomendamos que todo el servicio de las herramientas sea realizado por un Centro de servicio de fábrica Bosch o por una Estación de servicio Bosch autorizada.

LUBRICACION DE LAS HERRAMIENTAS

Su herramienta Bosch ha sido lubricada adecuadamente y está lista para la utilización. Se recomienda que las herramientas con engranajes se vuelvan a engrasar con un lubricante especial para engranajes en cada cambio de escobillas.



ESCOBILLAS DE CARBÓN

Las escobillas y el conmutador de la herramienta han sido diseñados para muchas horas de servicio fiable. Para mantener un rendimiento óptimo del motor, recomendamos que cada dos a seis meses se examinen las escobillas. Sólo se deben usar escobillas de repuesto Bosch genuinas diseñadas específicamente para su herramienta.

RODAMIENTOS

Después de 300-400 horas de funcionamiento, o después de cada segundo cambio de escobillas, los rodamientos deben cambiarse en un Centro de servicio de fábrica Bosch o en una Estación de servicio Bosch autorizada. Los rodamientos que se vuelven ruidosos (debido a la pesada carga o al corte de materiales muy abrasivos) deben ser sustituidos inmediatamente para evitar el sobrecalentamiento o el fallo del motor.

Limpieza

⚠ ADVERTENCIA Para evitar accidentes desconecte siempre la herramienta de la fuente de energía antes de la limpieza o de la realización de cualquier mantenimiento. La herramienta se puede limpiar más eficazmente con aire comprimido seco. Use gafas de seguridad siempre que limpie herramientas con aire comprimido.

Las aberturas de ventilación y las palancas de interruptor deben mantenerse limpias y libres de materias extrañas. No intente limpiar introduciendo objetos puntiagudos a través de las aberturas.

⚠ PRECAUCIÓN Ciertos agentes de limpieza y disolventes dañan las piezas de plástico. Algunos de estos son: gasolina, tetracloruro de carbono, disolventes de limpieza clorados, amoníaco y detergentes domésticos que contienen amoníaco.

Accesorios

⚠ ADVERTENCIA Si es necesario un cordón de extensión, se debe usar un cordón con conductores de tamaño adecuado que sea capaz de transportar la corriente necesaria para la herramienta. Esto evitará caídas de tensión excesivas, pérdida de potencia o recalentamiento. Las herramientas conectadas a tierra deben usar cordones de extensión de 3 hilos que tengan enchufes de 3 terminales y receptáculos para 3 terminales.

NOTA: Cuanto más pequeño es el número de calibre, más grueso es el cordón.

TAMAÑOS RECOMENDADOS DE CORDONES DE EXTENSION HERRAMIENTAS DE 120 V CORRIENTE ALTERNA

Capacidad nominal en amperes de la herramienta	Tamaño del cordón en A.W.G.				Tamaños del cable en mm ²			
	Longitud del cordón en pies				Longitud del cordón en metros			
	25	50	100	150	15	30	60	120
3-6	18	16	16	14	0,75	0,75	1,5	2,5
6-8	18	16	14	12	0,75	1,0	2,5	4,0
8-10	18	16	14	12	0,75	1,0	2,5	4,0
10-12	16	16	14	12	1,0	2,5	4,0	—
12-16	14	12	—	—	—	—	—	—

(* = equipo estándar)

(** = accesorios opcionales)

- * Llave Allen 6mm
- * Mango auxiliar
- * Disco abrasivo
- * Zapata de soporte blanda

* Tubo adaptador de manguera de aspiración

** Adaptateur de manguera de aspiración

** Zapata de soporte extra blanda

** Zapata de soporte dura

** Mangueras de aspiración

** Zapata de pulir de espuma

** Aplicador de la esponja



Notes:





Remarques :





Notas:





LIMITED WARRANTY OF BOSCH PORTABLE AND BENCHTOP POWER TOOLS

Robert Bosch Tool Corporation ("Seller") warrants to the original purchaser only, that all BOSCH portable and benchtop power tools will be free from defects in material or workmanship for a period of one year from date of purchase. SELLER'S SOLE OBLIGATION AND YOUR EXCLUSIVE REMEDY under this Limited Warranty and, to the extent permitted by law, any warranty or condition implied by law, shall be the repair or replacement of parts, without charge, which are defective in material or workmanship and which have not been misused, carelessly handled, or misrepaired by persons other than Seller or Authorized Service Station. To make a claim under this Limited Warranty, you must return the complete portable or benchtop power tool product, transportation prepaid, to any BOSCH Factory Service Center or Authorized Service Station. For Authorized BOSCH Power Tool Service Stations, please refer to your phone directory.

THIS LIMITED WARRANTY DOES NOT APPLY TO ACCESSORY ITEMS SUCH AS CIRCULAR SAW BLADES, DRILL BITS, ROUTER BITS, JIGSAW BLADES, SANDING BELTS, GRINDING WHEELS AND OTHER RELATED ITEMS.

ANY IMPLIED WARRANTIES SHALL BE LIMITED IN DURATION TO ONE YEAR FROM DATE OF PURCHASE. SOME STATES IN THE U.S., SOME CANADIAN PROVINCES DO NOT ALLOW LIMITATIONS ON HOW LONG AN IMPLIED WARRANTY LASTS, SO THE ABOVE LIMITATION MAY NOT APPLY TO YOU.

IN NO EVENT SHALL SELLER BE LIABLE FOR ANY INCIDENTAL OR CONSEQUENTIAL DAMAGES (INCLUDING BUT NOT LIMITED TO LIABILITY FOR LOSS OF PROFITS) ARISING FROM THE SALE OR USE OF THIS PRODUCT. SOME STATES IN THE U.S. AND SOME CANADIAN PROVINCES DO NOT ALLOW THE EXCLUSION OR LIMITATION OF INCIDENTAL OR CONSEQUENTIAL DAMAGES, SO THE ABOVE LIMITATION OR EXCLUSION MAY NOT APPLY TO YOU.

THIS LIMITED WARRANTY GIVES YOU SPECIFIC LEGAL RIGHTS, AND YOU MAY ALSO HAVE OTHER RIGHTS WHICH VARY FROM STATE TO STATE IN THE U.S., PROVINCE TO PROVINCE IN CANADA AND FROM COUNTRY TO COUNTRY.

THIS LIMITED WARRANTY APPLIES ONLY TO PORTABLE AND BENCHTOP ELECTRIC TOOLS SOLD WITHIN THE UNITED STATES OF AMERICA, CANADA AND THE COMMONWEALTH OF PUERTO RICO. FOR WARRANTY COVERAGE WITHIN OTHER COUNTRIES, CONTACT YOUR LOCAL BOSCH DEALER OR IMPORTER.

GARANTIE LIMITÉE DES OUTILS ÉLECTRIQUES PORTATIFS ET D'ÉTABLI BOSCH

Robert Bosch Tool Corporation (le « vendeur ») garantit à l'acheteur initial seulement que tous les outils électriques portatifs et d'établi BOSCH seront exempts de vices de matériaux ou d'exécution pendant une période d'un an depuis la date d'achat. LA SEULE OBLIGATION DU VENDEUR ET LE SEUL RECOURS DE L'ACHETEUR sous la présente garantie limitée, et en autant que la loi le permette sous toute garantie ou condition implicite qui en découlerait, sera l'obligation de remplacer ou réparer gratuitement les pièces défectueuses matériellement ou comme fabrication, pourvu que lesdites défectosités ne soient pas attribuables à un usage abusif ou à quelque réparation bricolée par quelqu'un d'autre que le vendeur ou le personnel d'une station-service agréée. Pour présenter une réclamation en vertu de cette garantie limitée, vous devez renvoyer l'outil électrique portatif ou d'établi complet, port payé, à tout centre de service agréé ou centre de service usine. Veuillez consulter votre annuaire téléphonique pour les adresses.

LA PRÉSENTE GARANTIE NE S'APPLIQUE PAS AUX ACCESSOIRES TELS QUE LAMES DE SCIES CIRCULAIRES, MÊCHES DE PERCEUSES, FERS DE TOUPIES, LAMES DE SCIES SAUTEUSES, COURROIES DE PONÇAGE, MEULES ET AUTRES ARTICLES DU GENRE.

TOUTE GARANTIE IMPLICITE SERA LIMITÉE COMME DURÉE À UN AN À COMPTER DE LA DATE D'ACHAT. CERTAINS ÉTATS AMÉRICAINS, CERTAINES PROVINCES CANADIENNES N'ADMETTANT PAS LE PRINCIPE DE LA LIMITATION DE LA DURÉE DES GARANTIES IMPLICITES, IL EST POSSIBLE QUE LES LIMITATIONS CI-DESSUS NE S'APPLIQUENT PAS À VOTRE CAS.

EN AUCUN CAS LE VENDEUR NE SAURAIT ÊTRE TENU POUR RESPONSABLE DES INCIDENTS OU DOMMAGES INDIRECTES (INCLUANT, MAIS NE SE LIMITANT PAS AUX PERTES DE PROFITS) CONSÉCUTIFS À LA VENTE OU L'USAGE DE CE PRODUIT. CERTAINS ÉTATS AMÉRICAINS ET CERTAINES PROVINCES CANADIENNES N'ADMETTANT PAS LE PRINCIPE DE LA LIMITATION NI L'EXCLUSION DES DOMMAGES INDIRECTES ET CONSÉQUENTIELS, IL EST POSSIBLE QUE LES LIMITATIONS OU EXCLUSIONS CI-DESSUS NE S'APPLIQUENT PAS À VOTRE CAS.

LA PRÉSENTE GARANTIE VOUS ACCORDE DES DROITS BIEN DÉTERMINÉS, Y COMPRIS POSSIBLEMENT CERTAINS DROITS VARIABLES DANS LES DIFFÉRENTS ÉTATS AMÉRICAINS, PROVINCES CANADIENNE ET DE PAYS À PAYS.

CETTE GARANTIE LIMITÉE NE S'APPLIQUE QU'ÀUX OUTILS ÉLECTRIQUES PORTATIFS ET D'ÉTABLI VENDUS AUX ÉTATS-UNIS D'AMÉRIQUE, AU CANADA ET AU COMMONWEALTH DE PORTO RICO. POUR COUVERTURE DE GARANTIE DANS LES AUTRES PAYS, CONTACTEZ VOTRE IMPORTATEUR OU REVENDEUR BOSCH LOCAL.

GARANTIA LIMITADA PARA HERRAMIENTAS MECANICAS PORTATILES Y PARA TABLERO DE BANCO BOSCH

Robert Bosch Tool Corporation ("el Vendedor") garantiza, únicamente al comprador original, que todas las herramientas mecánicas portátiles y para tablero de banco BOSCH estarán libres de defectos de material o de fabricación durante un periodo de un año a partir de la fecha de compra. LA ÚNICA OBLIGACION DEL VENDEADOR Y EL RECURSO EXCLUSIVO QUE USTED TIENE bajo esta Garantía Limitada y, hasta donde la ley lo permita, bajo cualquier garantía o condición implícita por ley, consistirá en la reparación o sustitución sin costo de las piezas que presenten defectos de material o de fabricación y que no hayan sido utilizadas incorrectamente, manejadas descuidadamente o reparadas incorrectamente por personas que no sean el Vendedor o una Estación de servicio autorizada. Para efectuar una reclamación bajo esta Garantía Limitada, usted debe devolver el producto, que consiste en la herramienta mecánica portátil o para tablero de banco completa, con el transporte pagado, a cualquier Centro de servicio de fábrica o Estación de servicio autorizada. Para Estaciones de servicio autorizadas de herramientas mecánicas BOSCH, por favor, consulte el directorio telefónico.

ESTA GARANTIA LIMITADA NO SE APLICA A ARTICULOS ACCESORIOS TALES COMO HOJAS PARA SIERRAS CIRCULARES, BROCAS PARA TALADROS, BROCAS PARA FRESADORAS, HOJAS PARA SIERRAS DE VAIVEN, CORREAS PARA LIJAR, RUEDAS DE AMOLAR Y OTROS ARTICULOS RELACIONADOS.

TODAS LAS GARANTIAS IMPLICITAS TENDRAN UNA DURACION LIMITADA A UN AÑO A PARTIR DE LA FECHA DE COMPRA. ALGUNOS ESTADOS DE LOS EE.UU. Y ALGUNAS PROVINCIAS CANADIENSES NO PERMITEN LIMITACIONES EN CUANTO A LA DURACION DE UNA GARANTIA IMPLICITA, POR LO QUE ES POSIBLE QUE LA LIMITACION ANTERIOR NO SEA APLICABLE EN EL CASO DE USTED.

EL VENDEADOR NO SERA RESPONSABLE EN NINGUN CASO DE NINGUN DAÑO INCIDENTAL O EMERGENTE (INCLUYENDO PERO NO LIMITADO A RESPONSABILIDAD POR PERDIDA DE BENEFICIOS) QUE SE PRODUZCA COMO CONSECUENCIA DE LA VENTA O UTILIZACION DE ESTE PRODUCTO. ALGUNOS ESTADOS DE LOS EE.UU. Y ALGUNAS PROVINCIAS CANADIENSES NO PERMITEN LA EXCLUSION O LIMITACION DE LOS DAÑOS INCIDENTALES O EMERGENTES, POR LO QUE ES POSIBLE QUE LA LIMITACION O EXCLUSION ANTERIOR NO SEA APLICABLE EN EL CASO DE USTED.

ESTA GARANTIA LIMITADA LE CONFIERE A USTED DERECHOS LEGALES ESPECIFICOS Y ES POSIBLE QUE USTED TAMBIEN TENGA OTROS DERECHOS QUE VARIAN DE ESTADO A ESTADO EN LOS EE.UU., DE PROVINCIA A PROVINCIA EN CANADA Y DE UN PAIS A OTRO.

ESTA GARANTIA LIMITADA SE APLICA SOLAMENTE A HERRAMIENTAS ELECTRICAS PORTATILES Y PARA TABLERO DE BANCO VENDIDAS EN LOS ESTADOS UNIDOS DE AMERICA, CANADA Y EL ESTADO LIBRE ASOCIADO DE PUERTO RICO. PARA COBERTURA DE GARANTIA EN OTROS PAISES, PONGASE EN CONTACTO CON SU DISTRIBUIDOR O IMPORTADOR LOCAL DE BOSCH.

© Robert Bosch Tool Corporation 1800 W. Central Road Mt. Prospect, IL 60056-2230

Exportado por: Robert Bosch Tool Corporation Mt. Prospect, IL 60056-2230, E.U.A.

Importado en México por: Robert Bosch, S.A. de C.V., Calle Robert Bosch No. 405, Zona Industrial, Toluca, Edo. de México, C.P. 50070, Tel. (722) 2792300

