

JEWELRY BOX LOCKS

71449-464

71449 - 1-3/4"W x 11/16" H

71456 - 2" W x 15/16"H

71464 - 1-3/4"W x 7/8" H

FEATURES:

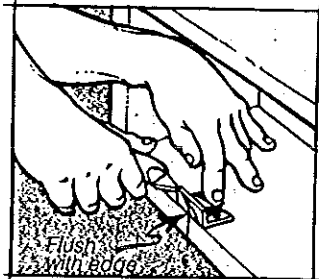
- half mortise design
- smooth operation
- positive action locking
- available in 3 sizes
- strike plate included
- one key included
- made from .035" solid brass w/steel locking mechanism
- made in Europe by Hafele
- screws included
- no escutcheon included

APPLICATION:

These finely crafted small locks are especially suited for use on jewelry and other small boxes.

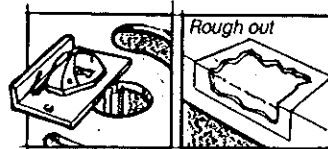
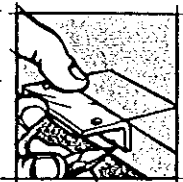
INSTALLATION:

Installing many jewelry box locks requires a two-step mortise – one for the plate and one for the lock mechanism. Here's how to install a lock on assembled boxes.

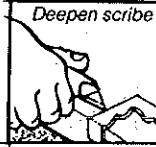


1 Using a pencil, mark a centerline on both the lock plate and top front edge of your jewelry box. Position the lock by aligning the center marks, as shown above. Next scribe around the sides and bottom of the lock with a utility knife. Now set the lock aside and deepen the scribe marks with a utility knife.

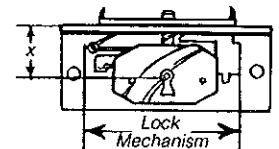
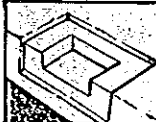
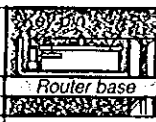
2 Align the lock's top plate with the previously scribed lines to mark out its position. Mark the location of the top plate first with a pencil and then go over those lines with a utility knife.



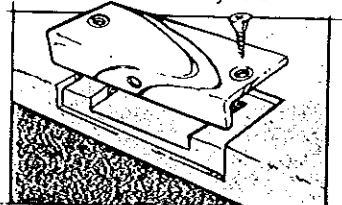
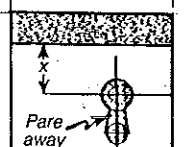
3 Using a router, rough out the waste to the thickness of the top plate – stopping short of the scribed lines. Clean up with a chisel – cutting along the scribe marks to the depth of the plate, and then paring away waste with the back of the chisel flat against the routed surface.



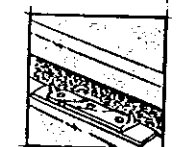
4 Rout the second part of the mortise (which is the distance from the spring pin to lock in an open position) to accommodate the lock mechanism. Set your router slightly deeper than the lock mechanism while still allowing the key pin to protrude. Now place the lock in an open position and mark the location of the lock mechanism. Rout and clean up with a chisel.



5 Measure from the top lip of the lock to the center of the key pin (X). This is the drilling location along the center line for the key hole. Taking measurements from your mechanism plate, drill two holes as shown in the illustration. Then pare away material to form a keyhole.

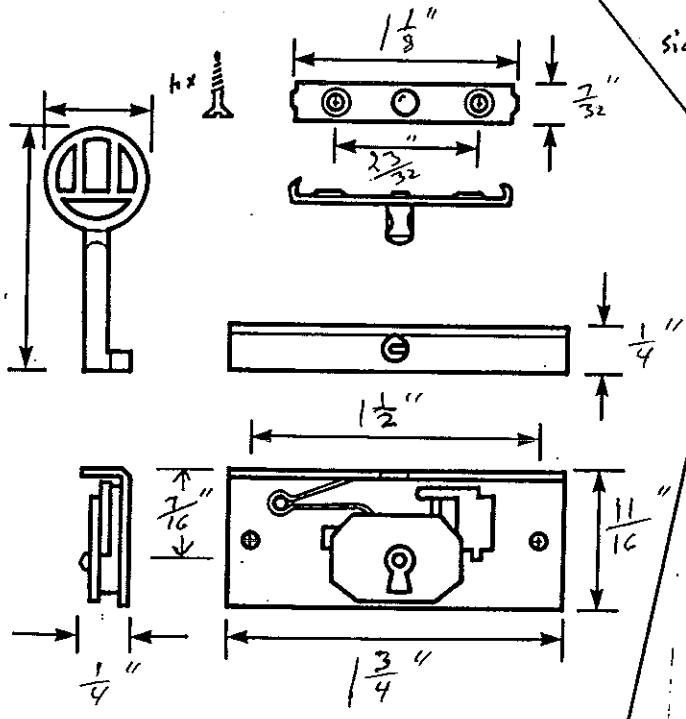
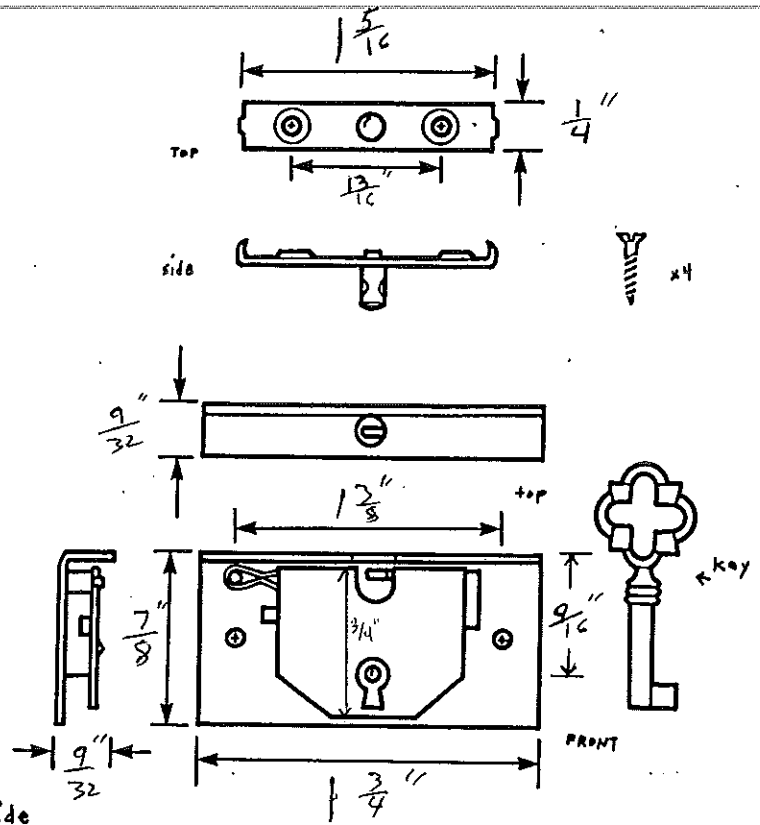


6 Attach the lock with screws and set the catch plate onto the lock. Use the key to set the lock and then close the lid. The points on the catch plate will mark the location. Once again, scribe an outline, mortise and install the plate with screws.

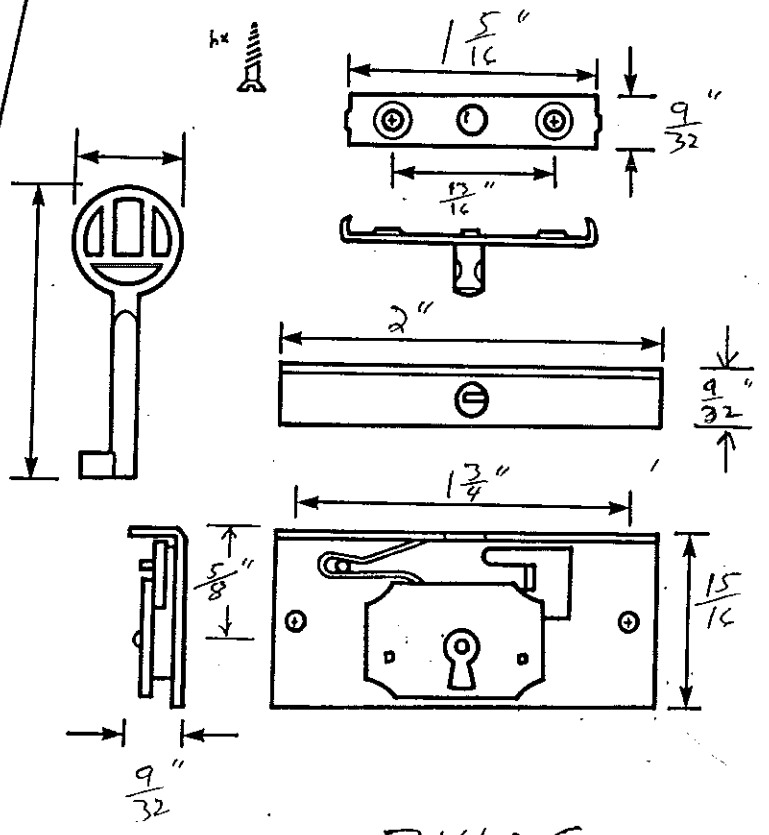


SPECIFICATIONS:

71464



71449



7145C