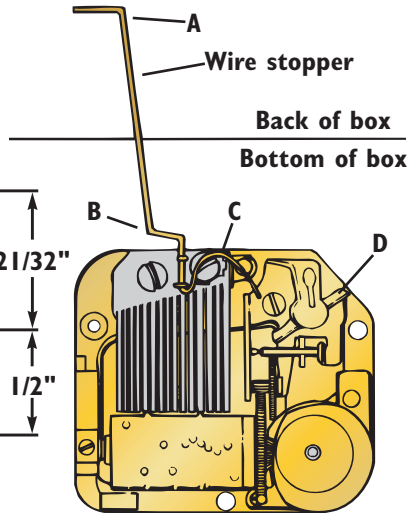
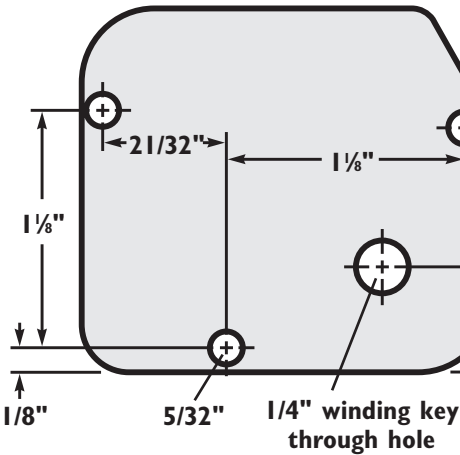




**Hole placement**



**Mounting the movement**

1. Mark and drill mounting holes and a through hole for the winding key in the bottom of your box. **Hole Placement.**
2. Use the included machine screws to attach the movement.

3. Bend the wire stopper at A so that it will not scratch the box.
4. Bend wire stopper at C so it will be able to release and stop the flywheel (D).

**Positioning the stopper**

1. While the wire stopper is attached to the mechanism, bend it to match the shape in the illustration.

**Note:** If bending is difficult, the stopper can be removed to avoid damage to the movement.

**Note:** If you do not want the musical movement to be on automatic, remove the stopper.

2. The distance from A to B should be a little longer than the height of back of the box.

Check Rockler.com for updates. If you have further questions, please contact our Technical Support Department at 1-800-260-9663 or support@rockler.com