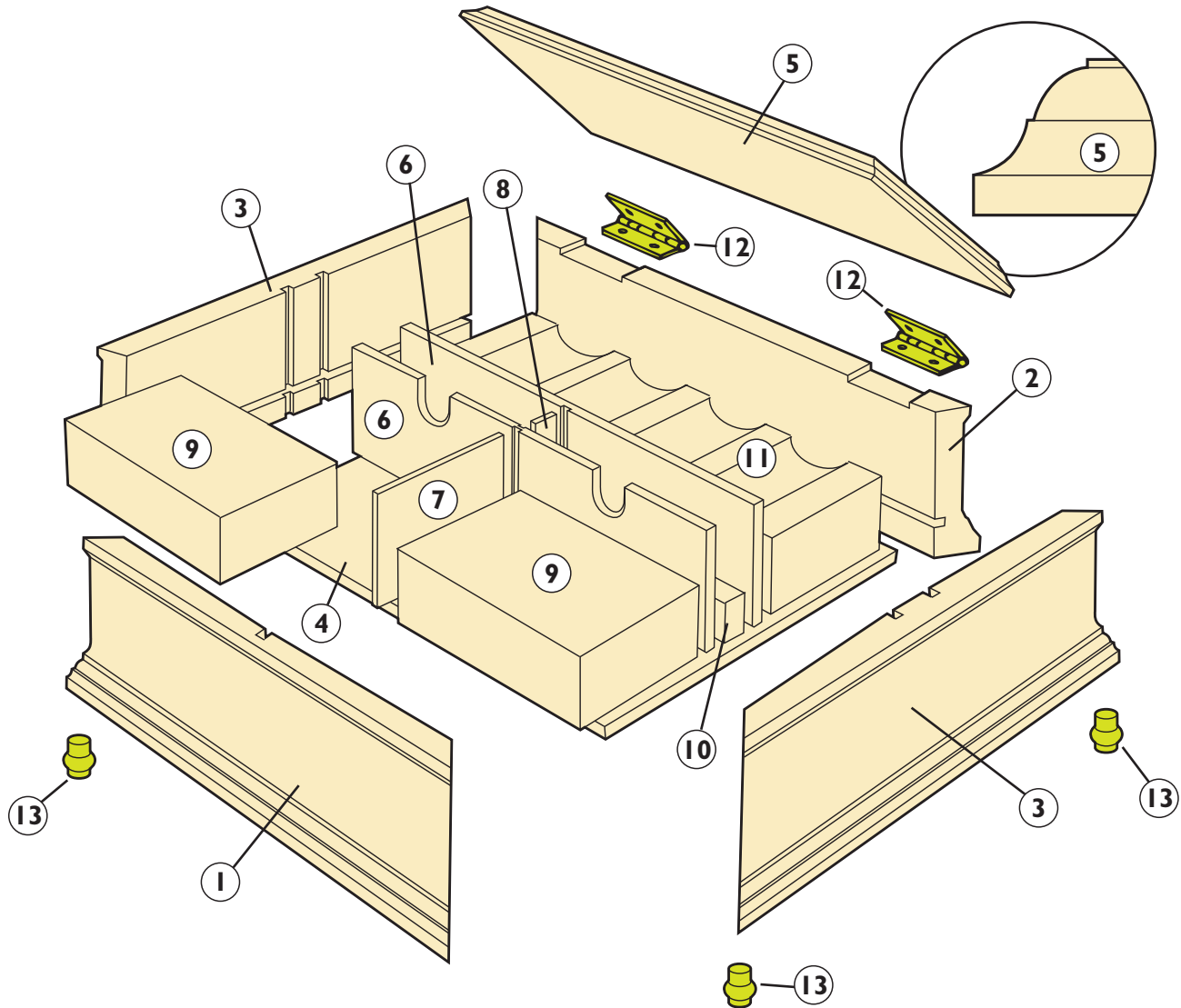


Poker Chip Storage Box



MATERIALS LIST

	T x W x L	Quantity
1 Front	7/8" x 2 ¹³ / ₁₆ " x 9 ³ / ₁₆ "	1
2 Back	7/8" x 2 ¹³ / ₁₆ " x 9 ³ / ₁₆ "	1
3 Sides	7/8" x 2 ¹³ / ₁₆ " x 7 ¹ / ₁₆ "	2
4 Bottom	1/4" x 6 ³ / ₈ " x 7 ⁷ / ₈ "	1
5 Top	3/4" x 7 ⁵ / ₈ " x 9 ¹ / ₄ "	1
6 Long Divider	1/4" x 2 ¹ / ₁₆ " x 7 ³ / ₄ "	2
7 Front Divider	1/4" x 2 ¹ / ₁₆ " x 2 ⁹ / ₁₆ "	1
8 Center Divider	1/4" x 2 ¹ / ₁₆ " x 1 ¹ / ₁₆ "	1
9 Card Block	13/16" x 2 ³ / ₈ " x 3 ⁵ / ₈ "	2
10 Dice Block	11/16" x 15/16" x 3 ⁵ / ₈ "	2
11 Chip Block	11/2" x 2 ³ / ₁₆ " x 7 ⁹ / ₁₆ "	1
12 Box Stop Hinges	(70391)	2
13 Jewelry Box Feet	(71795)	4

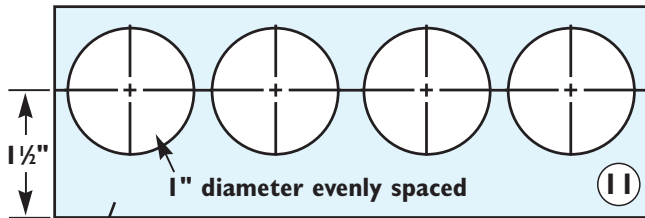
Poker Chip Storage Box

Instructions:

1. Cut the front, back and sides to length.
2. Mortise back for hinges. With the lid cut to size mortise for hinges.
3. Cut dados for holding partitions in the front, sides and long dividers. Note that the dados are cut 1/8" deep in the front and side pieces, and 1/16" deep in the long dividers.
4. Sand internal parts of sides, front, back, partitions and bottom. Test-fit pieces together and hold together with large rubber bands or web clamps. Test-fit blocks and partitions in same manner. Sand grooves as necessary for an easy installation as the partitions will be slid into place after the front, back, sides and bottom are glued together.
5. Apply an even coat of wood glue to mitered ends of the front, sides and back. Assemble these pieces around bottom. (Do not glue bottom as it is better to let it

free-float so that it can adjust to environmental changes.) Clamp box together with web clamps, rubber bands, etc. until glue dries. Remove excess glue with damp rag while glue is still wet.

6. Dividers and blocks can now be inserted into assembled box. These do not need to be glued in but a drop or two of glue can be added to each piece to help keep in place if desired.
7. Sand box and lid smooth, and finish all pieces as desired.
8. Fasten hinges into mortised back piece. Drilling of pilot holes for screws is recommended. Mark and drill pilot holes and attach hinges to top.



Drill 1" diameter holes, then cut the block to its finished size.

