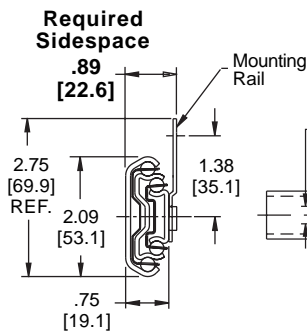
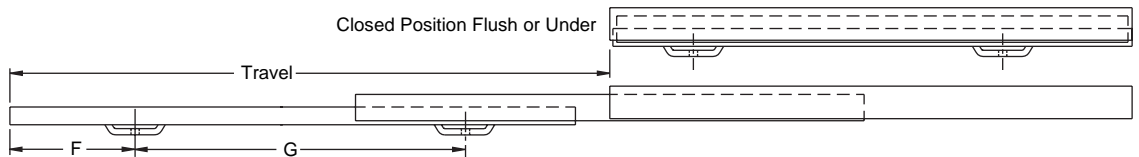
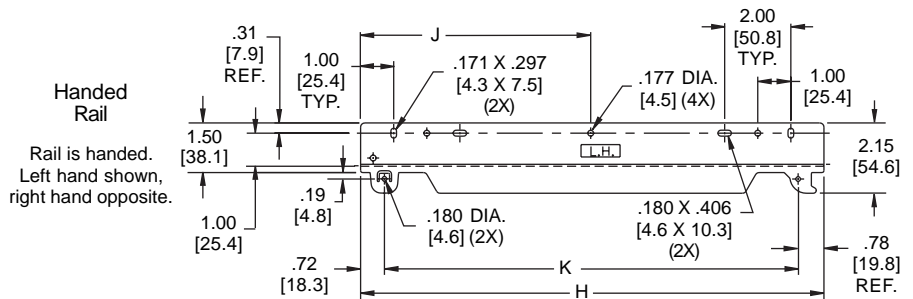
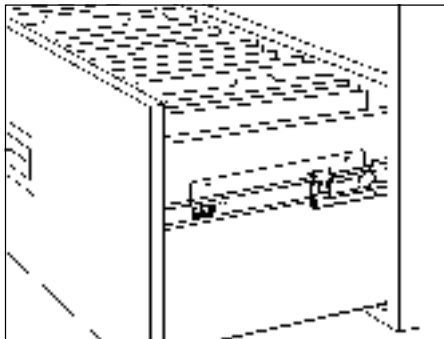




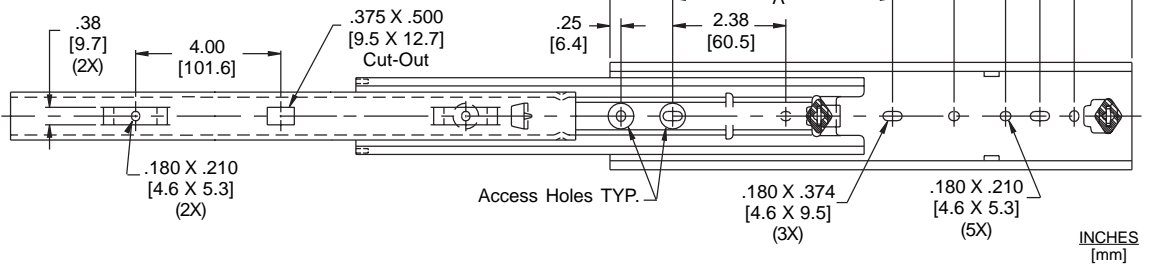
MODEL 3640

APPLICATIONS: Use in large storage drawers, store fixtures, and lateral files up to 42" [1067mm] wide. Model 3640 can be side and under/flat mounted. **This product is covered by U.S. and various foreign patents issued and/or pending.**

Heavy Duty Over Travel Slide
 200 lb. [91 kg.] Capacity Side Mount*
 75 lb. [34 kg.] Capacity Under/Flat Mount**



Slide is unhandled, use for left hand side or right hand side.



- Finish** Bright electro-zinc (C) or black zinc[‡] (CB) plating available
- Length** 12" - 28" [305mm - 711mm]
- Height** Side mount - 2.09" [53.1mm]
Under/flat mount - .89" [22.6mm]
- Travel** Length + 1" [25.4mm] over travel
- Load** Side mount*
200 lbs [91 kg] at 18" [457mm]
Under/flat mount**
75 lbs [34 kg] at 16" [406mm]
- Sidespace** .89" +.030/-0.00 [22.6mm +.8/-0.0]
- Mounting** Handed rail - Side mount --or-- Under/flat mount
- Hardware** #8 pan head screws
- Disconnect** Handed rail lift off
- Features** Sequential movement, silenced open and closed, detent closed, handed mounting rail

[‡] Minimum order quantities may apply
 * Based on an 18" slide on a 42" wide drawer cycled 75,000 times.
 ** Based on a 16" slide on a 24" wide drawer cycled 50,000 times.

Part Number	Slide Length	Slide Travel	A	B	C	D	E	F	G
3640-12	12.00 [305]	13.00 [330]	-	5.33 [135.4]	7.05 [179.1]	8.05 [204.5]	9.05 [229.9]	1.00 [25.4]	8.50 [215.9]
3640-14	14.00 [356]	15.00 [381]	-	7.33 [186.2]	9.05 [229.9]	10.05 [255.3]	11.05 [280.7]	1.00 [25.4]	8.50 [215.9]
3640-16	16.00 [406]	17.00 [432]	-	9.33 [237.0]	11.05 [280.7]	12.05 [306.1]	13.05 [331.5]	1.00 [25.4]	8.50 [215.9]
3640-18	18.00 [457]	19.00 [483]	7.50 [190.5]	11.33 [287.8]	13.05 [331.5]	14.05 [356.9]	15.05 [382.3]	1.50 [38.1]	10.50 [266.7]
3640-20	20.00 [508]	21.00 [533]	8.50 [215.9]	13.33 [338.6]	15.05 [382.3]	16.05 [407.7]	17.05 [433.1]	1.50 [38.1]	10.50 [266.7]
3640-22	22.00 [559]	23.00 [584]	9.50 [241.3]	15.33 [389.4]	17.05 [433.1]	18.05 [458.5]	19.05 [483.9]	2.00 [50.8]	12.50 [317.5]
3640-24	24.00 [610]	25.00 [635]	10.50 [266.7]	17.33 [440.2]	19.05 [483.9]	20.05 [509.3]	21.05 [534.7]	2.00 [50.8]	12.50 [317.5]
3640-26	26.00 [660]	27.00 [686]	11.50 [292.1]	19.33 [491.0]	21.05 [534.7]	22.05 [560.1]	23.05 [585.5]	2.50 [63.5]	15.50 [393.7]
3640-28	28.00 [711]	29.00 [737]	12.50 [317.5]	21.33 [541.8]	23.05 [585.5]	24.05 [610.9]	25.05 [636.3]	2.50 [63.5]	15.50 [393.7]

Slide Length	Rail Part Number	H	J	K
12" - 16"	5430-1216-CL 5430-1216-CR	10.00 [254.0]		8.50 [215.9]
17" - 20"	5430-1720-CL 5430-1720-CR	12.00 [304.8]		10.50 [266.7]
21" - 24"	5430-2124-CL 5430-2124-CR	14.00 [355.6]	7.00 [177.8]	12.50 [317.5]
25" - 28"	5430-2528-CL 5430-2528-CR	17.00 [431.8]	8.50 [215.9]	15.50 [393.7]

Installation Instructions

Side Mount Installation

1. Refer to Figure 1 for cabinet hole locations (overlay drawer). Install cabinet (large) members using #8 screws through horizontal slots. Be sure slides are parallel.
2. Refer to Figure 2 for front and rear mounting rail hole locations and install screws through vertical slots.
3. Extend the slides fully forward. Mount drawer slide by lowering the rear rail tabs through the rear slide pocket. Lower drawer until front rail tabs snap into front pocket. See Figure 3.
4. Close drawer fully to locate horizontal position of slide in cabinet. Open drawer to install remaining screws (minimum 4 per slide*). Secure brackets after adjusting the drawer vertically (minimum of 3 per bracket).

NOTE: To remove, lift drawer up and outward. Drawer can be permanently fixed to the drawer using a screw through the front pocket hole.

***NOTE:** Due to the heavy load capability and limitations of screw retention in wood products, Accuride recommends using the longest #8 screws possible (customer supplied) for the thickness of the cabinet walls.

Under/Flat Mount Installation

1. Locate large slide members on cabinet floor making sure slides are parallel. Secure in place. See Figure 4.
2. Position small slide members under drawer bottom 1/8" from the back of the drawer face (overlay drawer). Install #8 wood screws through slide mounting holes into the bottom of the drawer.

Minimum Screw Length = Drawer Bottom Thickness - 1/16"
(1/2" Drawer Bottom Thickness Minimum)

Slide Ordering Instructions

Complete your slide order for Accuride model 3640 by specifying the following:

100 Pair C 3640 -18 D

Total Slides Required _____
 Slide Finish _____
 Slide Model _____
 Slide Length _____
 Optional Polybag Packaging _____
 (includes one pair slides, rails, screws)

Rails are handed. Order one left hand rail and one right hand rail for each pair of slides ordered. For rail part numbers, refer to the chart on front page.

Order handed rails by specifying the following:

50 each 5430-1720-CL (Left hand)
 50 each 5430-1720-CR (Right hand)

Total Rails Required _____
 Rail Part Number _____

Packaging Information

Distributor (D) Pack: All lengths are packed 5 pair per box.

Polybag packaging includes one pair of slides, mounting rails, and screws. Screws for under/flat mounting **not** included.

Bulk (P) Pack: Lengths 12"-20" are packed 7 pair per box.
 Lengths 22"-28" are packed 5 pair per box.

Slides, rails, and screws are ordered and packaged separately.

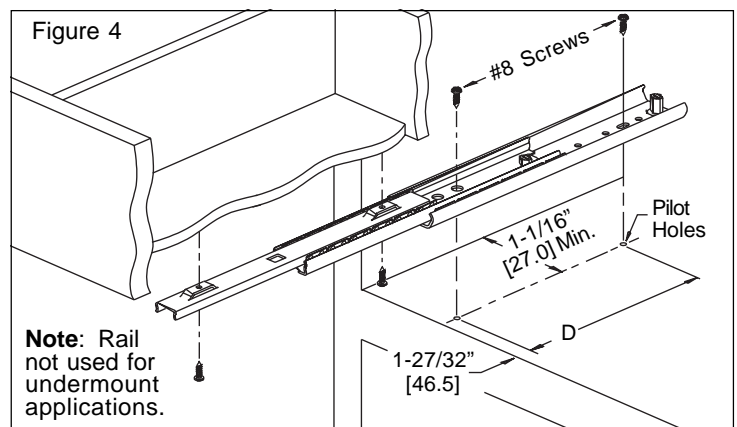
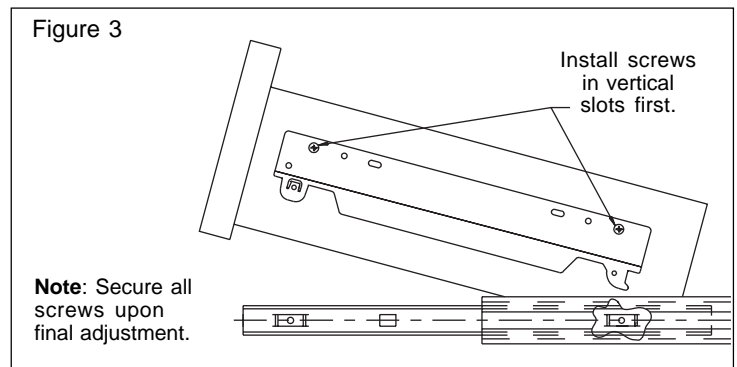
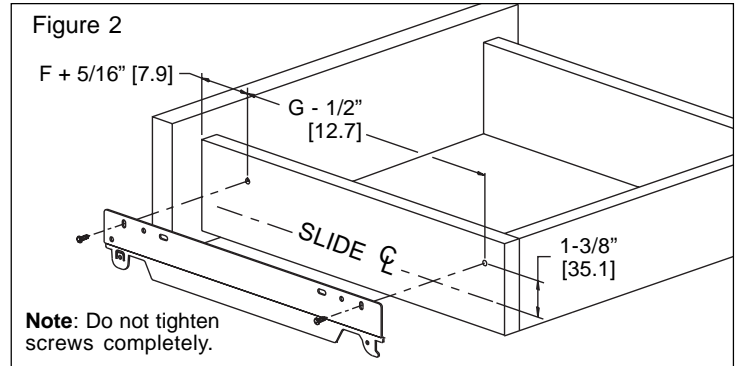
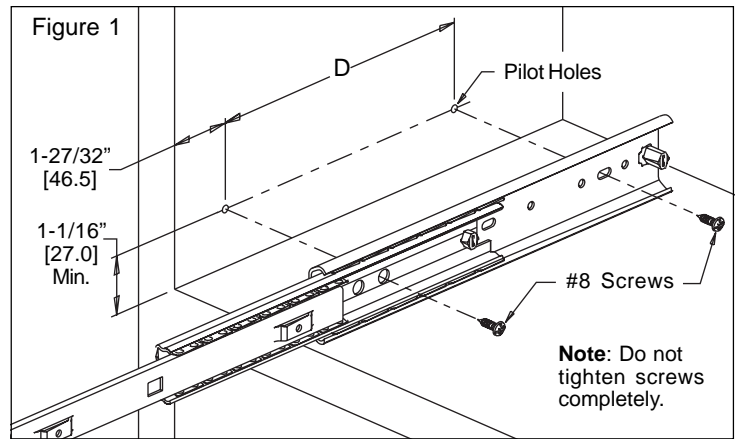
Specifications

Slide members and ball retainers: Cold rolled steel

Ball bearings: Carburized steel

Note: Specifications, materials, prices, terms, and delivery are subject to change without notice.

Copyright © 2002 Accuride International Inc. Printed in U.S.A. 3700-9036(9025)-MK533-R7-0702



Accuride

ACCURIDE INTERNATIONAL INC.

12311 Shoemaker Avenue
 Santa Fe Springs, CA 90670

TEL (562) 903-0200

FAX (562) 903-0208

www accuride.com

Manufacturing, Engineering, and Sales

United States • Germany • Japan • Mexico • United Kingdom

Copyright © 2002 Accuride International Inc. Printed in U.S.A. 3700-9025(9036)-MK034-R7-0702