

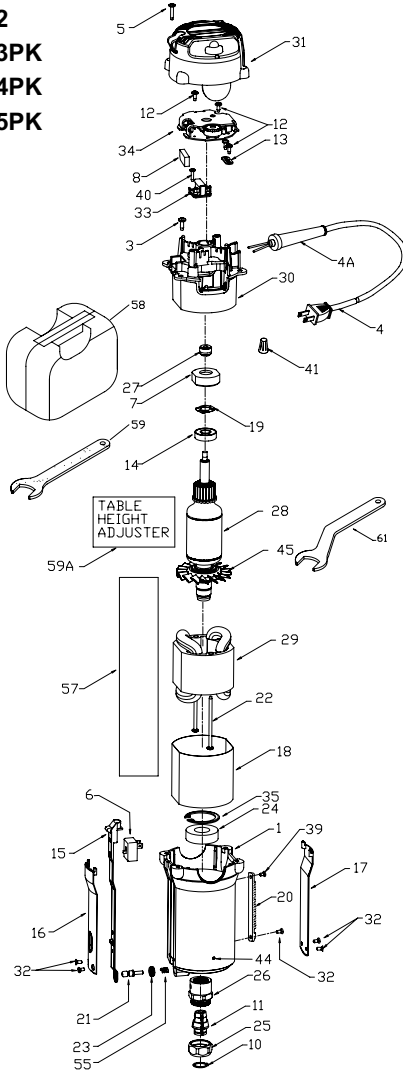
Note: Rockler may not carry all products and/or sizes listed in this vendor's publication

# PORTER-CABLE ROUTER

22311 - 891  
26795 - 892  
24288 - 893PK  
25417 - 894PK  
27168 - 895PK

WARNING: Electrical repairs should only be attempted by trained repairmen. Contact the nearest Porter-Cable Service Center or other competent repair center.

8901  
8902  
8911  
8931



Ref. No.	Part No.	Description
1	903624	MOTOR HOUSING
3	886538	SCREW
4	867853	CORD
4A	843464	STRAIN RELIEVER
5	851776	SCREW
6	908588	SWITCH
7	908697	BUSHING
8	A05003	BRUSH
*	682063	CONNECTOR
10	823030	RETAINING RING
11	876671	1/2 COLLET
	42950	1/2" COLLET ASSY., INCL: REF. 10 & 25
	876669	1/4 COLLET
	42999	1/4" COLLET ASSY., INCL: REF. 10 & 25
12	882185	SCREW
13	861434	CORD CLAMP
14	694147	BEARING
15	908573	SWITCH ACTUATOR
16	908567	COVER
17	908587	COVER
18	912755**	SLEEVE, INCL.: REF. 57
19	912032	WASHER
20	911807	RACK
21	908596	PIN
22	879999	SCREW
23	901287	RETAINER
24	855240	BEARING
25	875893	COLLET NUT
26	903053	CHUCK
27	250403	DISC
28	912753	ARMATURE
29	912752**	FIELD, INCL.: REF. 57
30	912754**	REAR MTR HSG, INCL.: REF. 57
31	908566	CAP
32	803157	SCREW
33	A03069	BRUSH HOLDER
34	912756	SPEED CONTROL
35	861737	RETAINING RING
39	910017	SCREW
40	893792	SCREW
41	912030	WIRE NUT
44	800835	SCREW
45	893728	FAN
55	698709	SPRING, EARLY UNITS ONLY
57	913226**	12" INSULATING TAPE

**ACCESSORIES: (OPTIONAL)**

58	909250	CARRYING CASE
59	874014	WRENCH
59A	75301	HEIGHT ADJUSTER, INCL.: REF 59
61	907007	WRENCH
*	42975	3/8" COLLET ASSY., INCL: REF. 10 & 25
*	44006	6MM COLLET ASSY., INCL: REF. 10 & 25
*	44008	8MM COLLET ASSY., INCL: REF. 10 & 25
*	44010	10MM COLLET ASSY. INCL: REF. 10 & 25
*	44012	12MM COLLET ASSY., INCL: REF. 10 & 25
*	42690	EDGE GUIDE
*		NOT SHOWN
**		SEE SERVICE NOTES

PART NO. 903617- 07-29-05  
Copyright© 2005 Porter-Cable

**PORTER-CABLE**  
PROFESSIONAL POWER TOOLS  
RTD10000196AA



# SERVICE NOTES

**8901**  
**8902**  
**8911**  
**8931**

## SUB BASE & SCREW - REFS. 84 & 139

Early models were manufactured with a Flat Head Screw Ref. 139 and a countersunk hole in the Sub Base Ref. 84. Current units are made with a Binding Screw Ref. 139 and a counterpoored hole in the Sub Base Ref. 84. The part number for the Sub Base Ref. 84 did not change. When replacing Sub Bases Ref. 84 or Screws Ref. 139 check screw hole and select appropriate Screw Ref. 139.

## REF. 57 INSULATING TAPE & REF. 18, REF. 29 AND REF. 30

When servicing Ref. 18, Ref. 29 and/or Ref. 30, you must replace Ref. 57 to maintain double insulating qualities of this unit. Any other servicing of this unit that requires the removal or damage to the tape requires that it be replaced. Install ref. 57 as shown in Fig. 1.

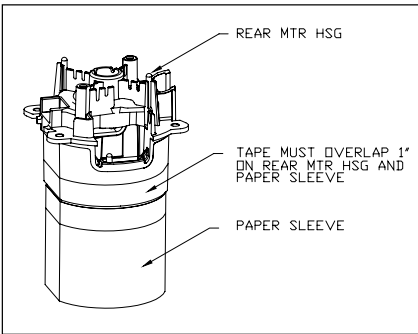


FIG. 1

## WIRING DIAGRAM

Use wiring diagram below to rewire unit.

