

Note: Rockler may not carry all products and/or sizes listed in this vendor's publication

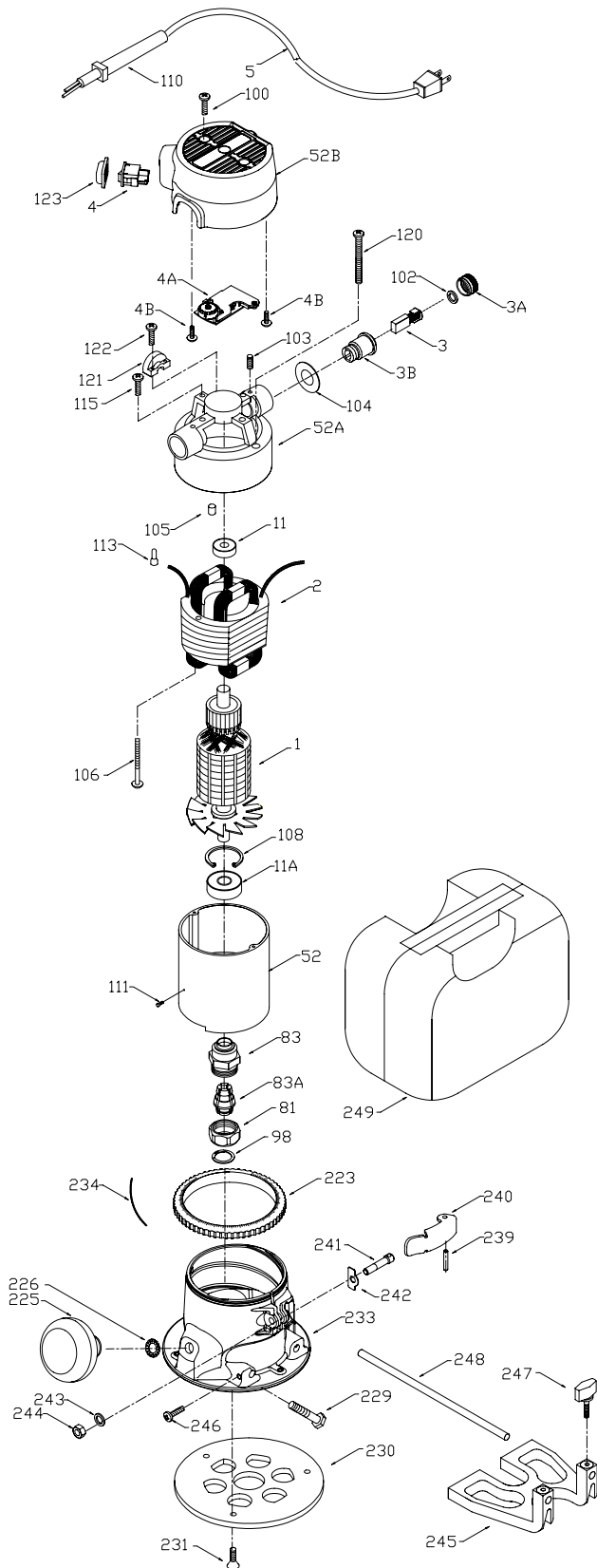
# PORTER-CABLE

## ROUTER

(29205 - 690LR)

**WARNING:** Electrical repairs should only be attempted by trained repairmen. Contact the nearest Porter-Cable Service Center or other competent repair center.

**690LR**  
**690LRVS**  
**1001-T2**  
**6902-T7 & T8**



Ref. No.	Part No.	Description
1	903660	ARMATURE
2	904289	FIELD, 690LRVS
	903659	FIELD, 690LR, 6902
3	824216	BRUSH
3A	803483	BRUSH CAP
3B	873497	BRUSH HOLDER
4	903599**	SWITCH
4A	903426	SPEED CONTROL, 690LRVS
4B	882185	SCREW, 690LRVS
5	839549	CORD
11	855284	COMMUTATOR BEARING
11A	878065	FAN BEARING
52	858457	FRONT HOUSING, ALL EXCEPT 513
	873435	FRONT HOUSING, 513T8
52A	896687	REAR HOUSING
52B	903125	HOUSING CAP, 690LRVS
	903124	HOUSING CAP, 690LR, 6902
81	875893	COLLET NUT
83	872793	CHUCK
83A	42999	1/4" COLLET ASSY., INCL: REF. 81 & 98
	876669	COLLET, 1/4"
	42975	3/8" COLLET ASSY. (OPTIONAL), INCL.: REF. 81, 9
	876670	3/8" COLLET (OPTIONAL)
	42950	1/2" COLLET ASSY., INCL: REF. 81 & 98
	876671	COLLET, 1/2"
98	823030	SNAP-RING
100	n 878389	MOTOR HOUSING CAP SCREW
102	885267**	O-RING
103	803632	SET SCREW
104	803496	WASHER
105	842597	BEARING PLUG, 690LR, 6902
106	838312	SCREW
108	802426	SNAP RING
110	843464	STRAIN RELIEF
111	800835	GUIDE PIN
113	682063	CONNECTOR
115	848754	SCREW
120	838310	FRONT HOUSING SCREW
121	874137	CORD CLAMP
122	878262	SCREW
123	877797	SWITCH SEAL
223	872998	DEPTH ADJUSTING RING
225	800995	KNOB
226	802425	LOCKWASHER
229	802306	KNOB SCREW
230	42186	SUB BASE, 690LR, 1001, INCL.; REF. 231
	42188	SUB BASE, 690LRVS, INCL.; REF. 231
231	688860	SCREW
233	903010	BASE HOUSING
234	800869	DEPTH ADJUSTING RING SPRING
239	903118	PIN
240	903114	BUCKLE
241	903120	SHAFT
242	903119	WEAR PLATE
243	802417	WASHER
244	847267	NUT
*	874299	ARMATURE FAN
*	874014	WRENCH
*	883807**	DIELECTRIC GREASE

**ACCESSORIES: (OPTIONAL)**

245	42160	EDGE GUIDE, INCLS: REF. 246, 247, 248
246	803160	EDGE GUIDE SCREW
247	882810	EDGE GUIDE KNOB
248	824588	EDGE GUIDE ROD
249	903049	CARRING CASE, EXCEPT PK'S
*	902829	CARRYING CASE, ALL PK'S
*		NOT SHOWN
**		SEE SERVICE NOTES

PART NO. 905925 - 05-10-05  
 Copyright© 2005 Porter-Cable

RTD10000200AA

**PORTER-CABLE**  
 PROFESSIONAL POWER TOOLS

# SERVICE NOTES

**690LR**

**690LRVS**

**1001-T2**

**6902-T7 & T8**

## DIELECTRIC GREASE - REF. 4

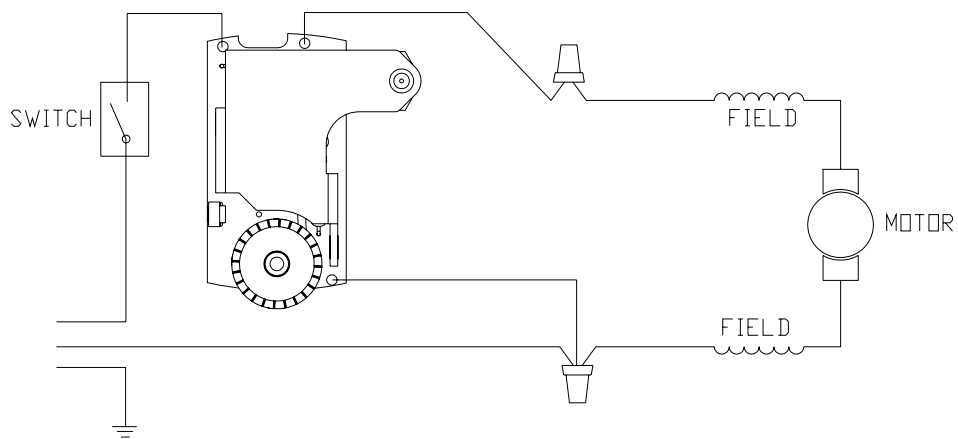
When assembling Switch Ref. 4, apply a bead of Dielectric Grease # 883807 around base of switch to seal switch area and prevent dust from entering cavity.

When connecting switch leads apply Dielectric Grease around bottom of terminal to prevent dust from entering terminal area.

## O-RING - REF. 102

Early units incorporated an O-Ring Ref., 102, to help retain the Brush Cap, Ref. 3A. It has been determined that the O-Ring is not necessary and can be discarded when performing repairs. Insure that the Brush Caps are firmly tightened.

## WIRING DIAGRAM - VARIABLE SPEED UNITS



WIRING DIAGRAM