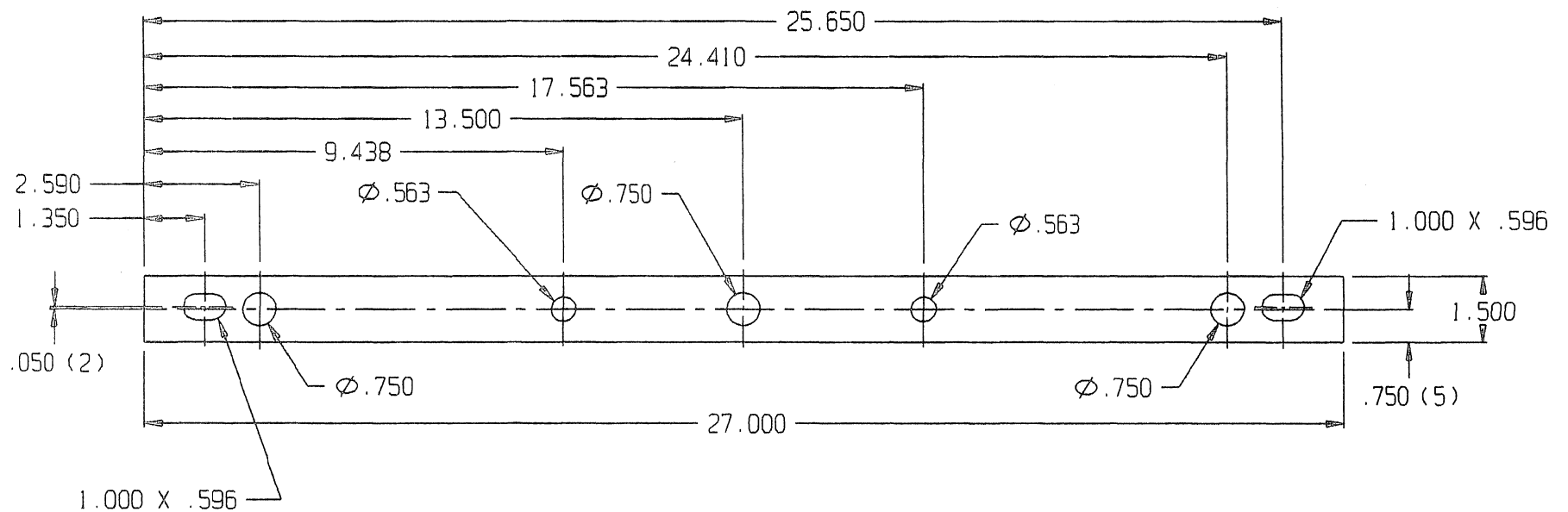




(29459)

ProMAX Mounting Hole Diameters and Locations



Questions? Write to info@benchdog.com or call 800-786-8902.

RTD10000608AA