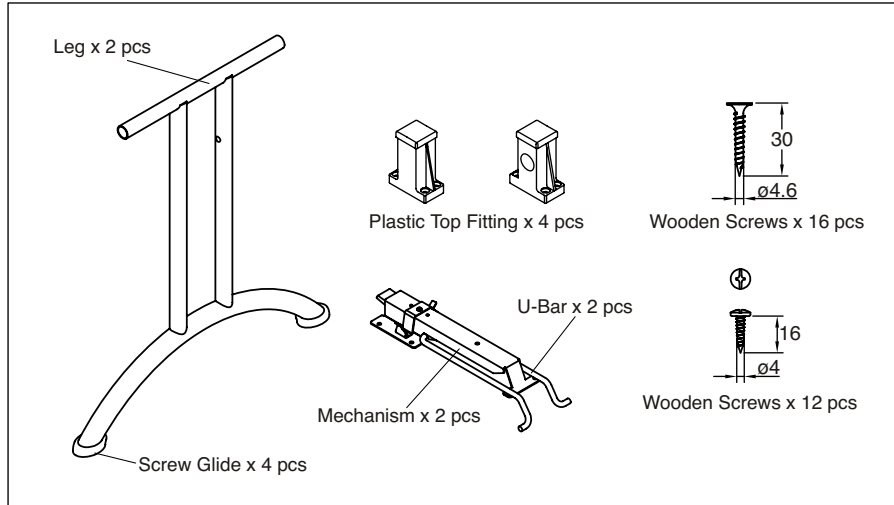
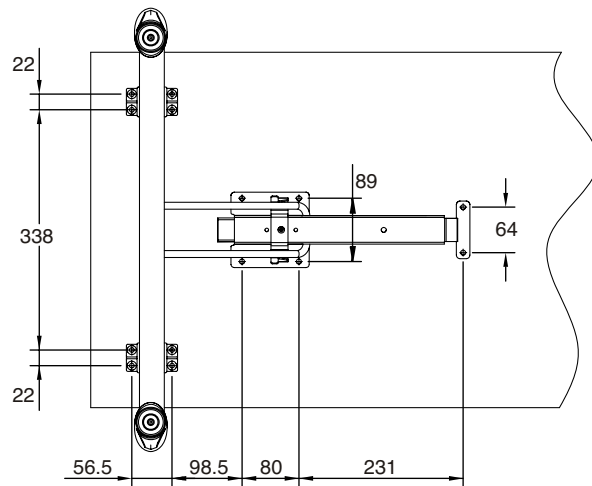


Folding Table Legs

Parts

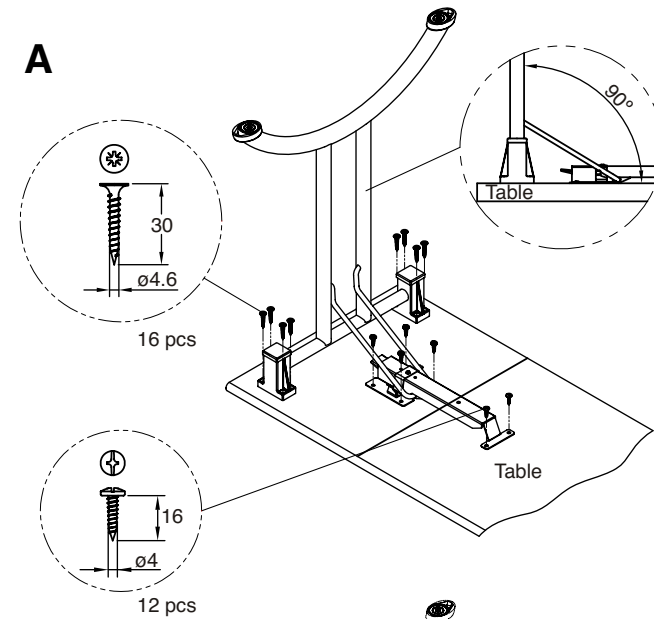


Hole-Pattern



★ Caution: Make sure to push "Lever" before pulling down the U-Bar completely.

A



B

