

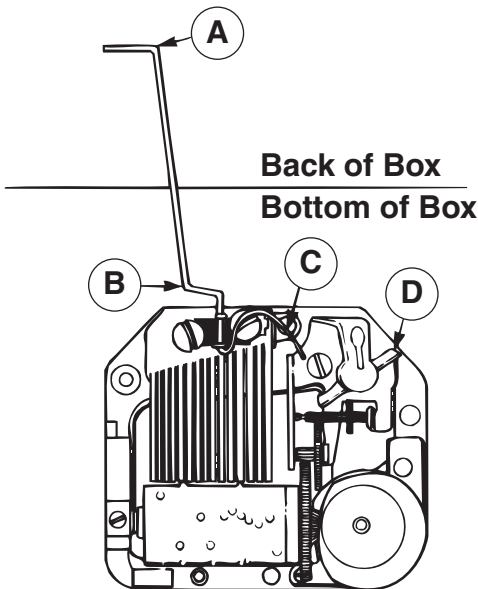
Musical Movement

The movement is attached to the base of your box with screws that are supplied. The movement comes equipped with a wire stopper installed.

Instructions

- 1.) While stopper is screwed to the mechanism, bend wire to shape of wire stopper in illustration. (If bending is difficult remove stopper so as not to damage movement.)
- 2.) The distance from A to B should be a little longer than the height of back of the box.
- 3.) Bend wire at A so that the wire will not scratch the box.
- 4.) Bend wire at C to turn on and off the flywheel D.

Note: If you do not want the musical movement to be on automatic, remove the stopper completely.



ROCKLER[®]
WOODWORKING AND HARDWARE

Create with Confidence™

© Rockler Companies Inc. 2006

RTD10312496AB