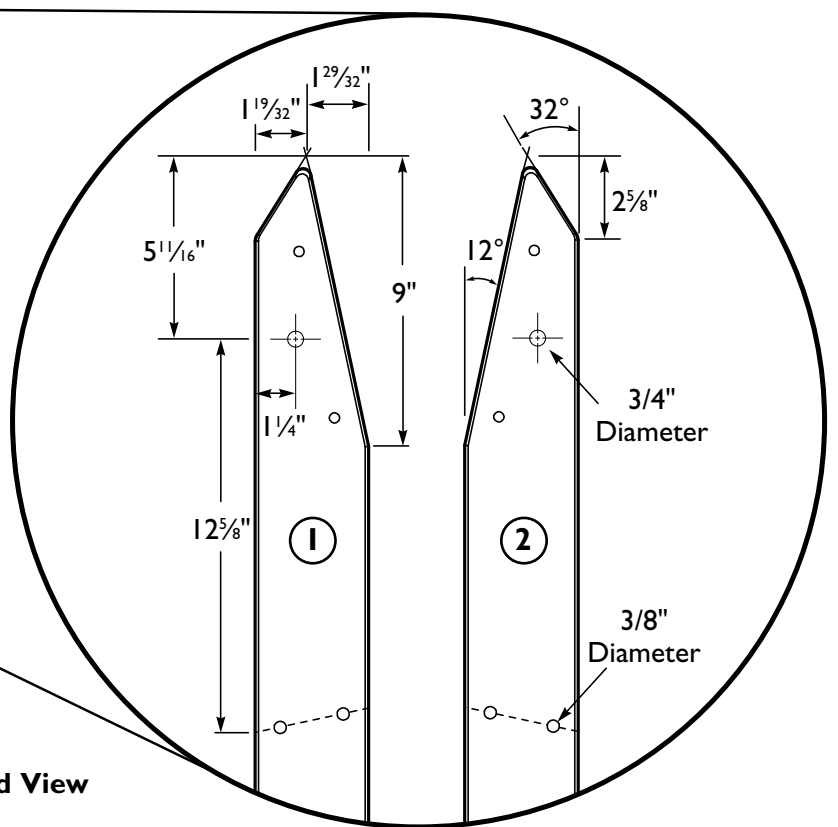
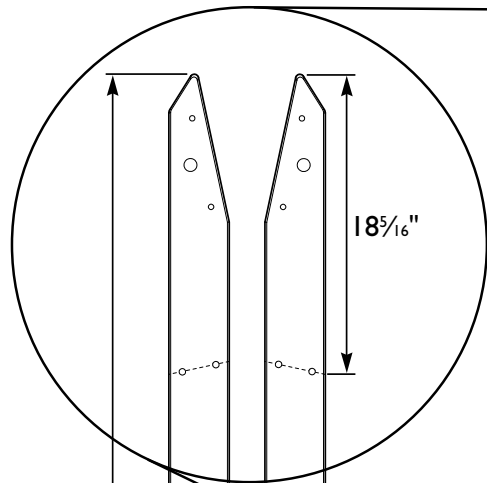


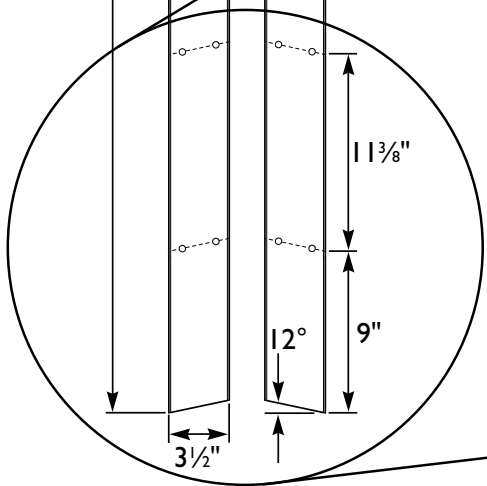
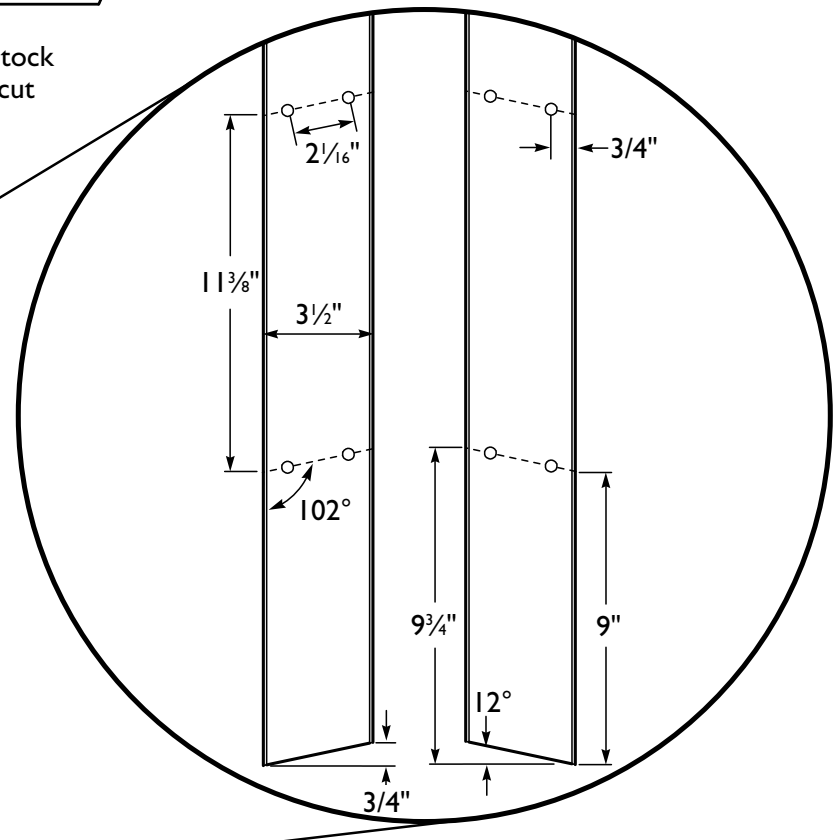
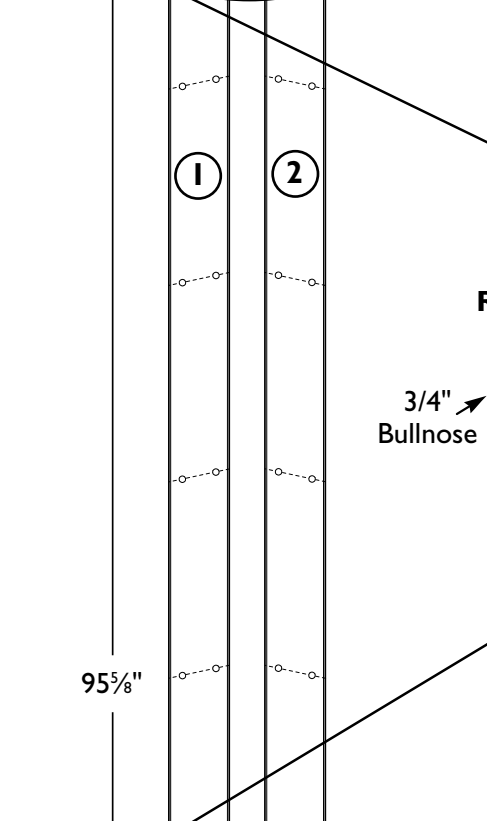
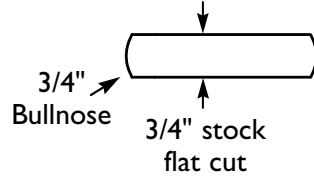
# Utility Ladder Assembly Instructions

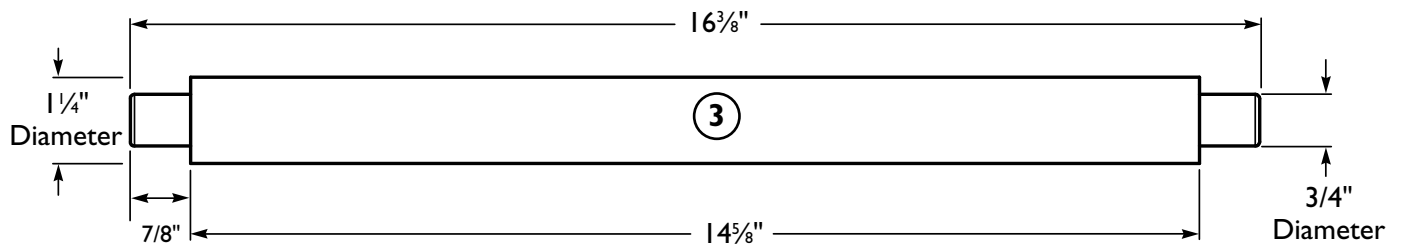


Congratulations on your purchase of the Utility Ladder Hardware Kit! These instructions will guide you through the process of building a 7-step (8 foot) ladder. Familiarity with the instructions will make the process easier to understand and more enjoyable.



**Rail End View**





### 7 Step (8 Foot) Ladder Plan

1. Cut Ladder Rails (1 and 2) to size and shape edges to a 3/4" radius bullnose.
2. Drill 3/8" holes according to plan for mounting the Stamped Steel Steps (4). Drill a 3/4" hole for mounting the Wood Spindle (3).
3. Finish ladder components with stain and three coats of clear finish, sanding between coats.

Reference the Track Height and Ladder Rail Length Diagram on page 3 for taller ladders

### PARTS LIST - 8' UTILITY LADDER

	T x W x L	Quantity
1 Left Ladder Rail - Wood	3/4" x 3 1/2" x 95 5/8"	1
2 Right Ladder Rail - Wood	3/4" x 3 1/2" x 95 5/8"	1
3 Wood Spindle	1 1/4" Diameter x 16 3/8"	1

### PARTS LIST - LADDER HARDWARE

	Quantity		Quantity
4 Stamped Steel Step	7	11 1/4-20 x 35mm Connector Bolt	8
5 Cap Nut (7/8" long barrel)	28	12 Track Bracket*	Variable
6 Roller Bracket Assembly	2	13 Track End Cap*	Variable
7 Heavy-duty Rubber Feet	2	14 Track Union*	Variable
8 Step Rod	14	15 #12 x 1 1/2" Pan Head Screws*	Variable
9 Step Tube	14	16 6' Track* (Not Shown)	Variable
10 1/4-20 Acorn Nut	8		

\* not included in kit



## Ladder Track Installation

1. Mount Track Brackets (12) with Pan Head Screws (15) to a secure fixture (bookcase, cabinet, wall, etc.) Space brackets every **32-36** inches along track. Refer to **Track Height Diagram**.
2. Measure the width of your fixture to determine the amount of 6' tracks (16) needed. Use Track Unions (14) to connect tracks together. Space Track Unions (14) as to not interfere with Track Brackets (12). Track should extend  $1\frac{1}{8}$ " beyond outer Track Brackets (12) for Track End Caps (13) to fit properly. **Fig. 1**.  
**Note:** For applications wider than 6', you will need additional sections of 6' track. In the event you need to shorten any length of track, divide all tracks evenly for best results, e.g., for a 16' run, order three 6' tracks and cut all to 5' $\frac{1}{4}$ ".
3. Assemble Track (16) to Track Brackets (12) and install Track End Caps (13).  
**Note:** The brackets are tight fitting, a rubber mallet and block of wood may be required to attach.

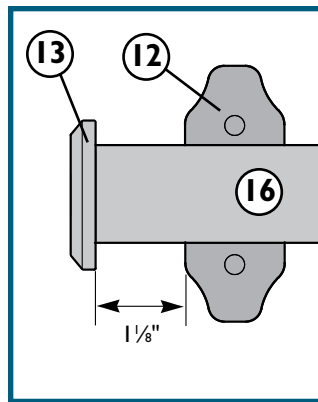


Fig. 1

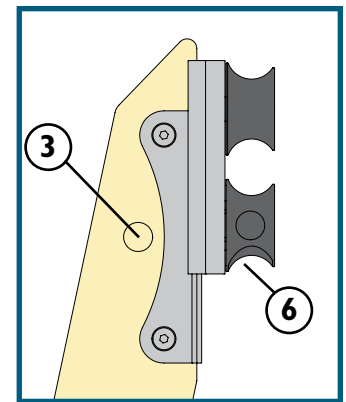


Fig. 2

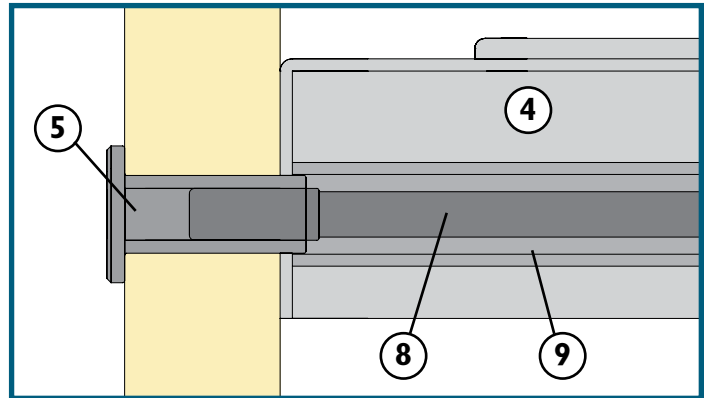


Fig. 3 - Step cross section

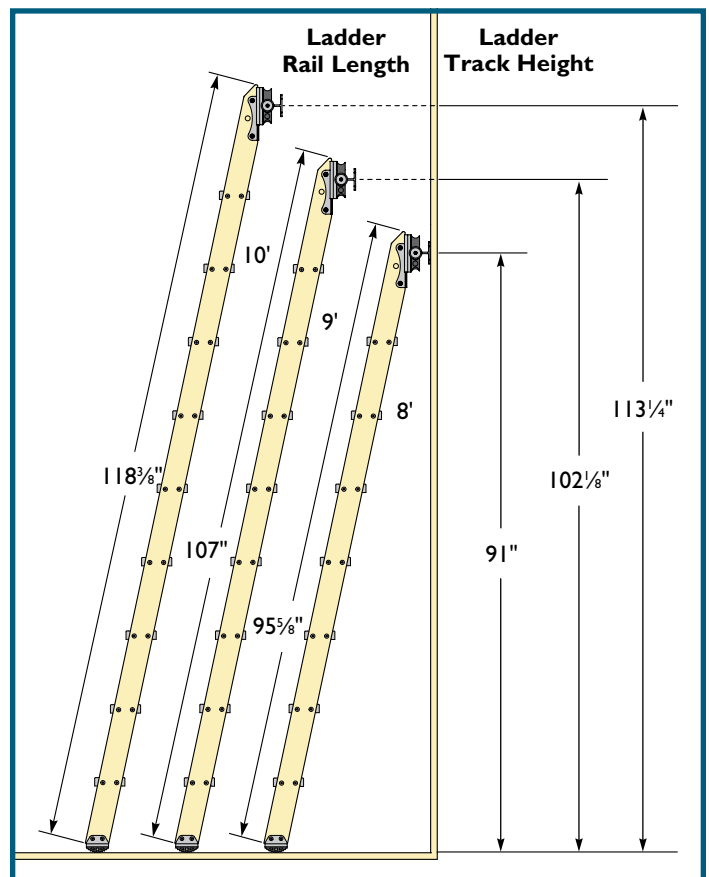
## Ladder Assembly

1. Drill  $\frac{1}{4}$ " holes and install the Roller Bracket Assembly (6) on the Ladder Rails using  $\frac{1}{4}$ -20 x 35mm Connector Bolts (11) and  $\frac{1}{4}$ -20 Acorn Nuts (10). Center the Roller Bracket Assembly (6) on the Wood Spindle (3). **Fig. 2**.
2. Glue Wood Spindle (3) into place. Align two Step Tubes (9) with the mounting holes in the underside of a Stamped Steel Step (4). Position this assembly between the ladder rails, thread a Cap Nut (5) on to one end of the step rod (8) and insert through the outside of the wood rail and through the step tube until you are able attach the other Cap Nut (5) on the opposite side. Do not fully tighten until all steps are installed. **Fig. 3**.
3. Drill holes and mount the Heavy-duty Rubber Feet (7). Attach using the  $\frac{1}{4}$ -20 x 35mm Connector Bolts (11) and  $\frac{1}{4}$ -20 Acorn Nuts (10).

## Making a 9', 10', or Taller Ladder

Good news – it's easy!

Here's how to increase the height of your ladder beyond 8' in one foot increments: Simply add  $11\frac{3}{8}$ " to the length of your ladder rails and build one more step into the ladder structure for each additional foot of height you would like your ladder to reach.



Track Height Diagram - Ladders shown in climbing position

### Attention Rockler Plan User

Before starting, please read the plan completely. Check Rockler.com for updates that may not be included on this copy. If you have further questions, please contact our Technical Support Department, 1-800-260-9663 or support@rockler.com