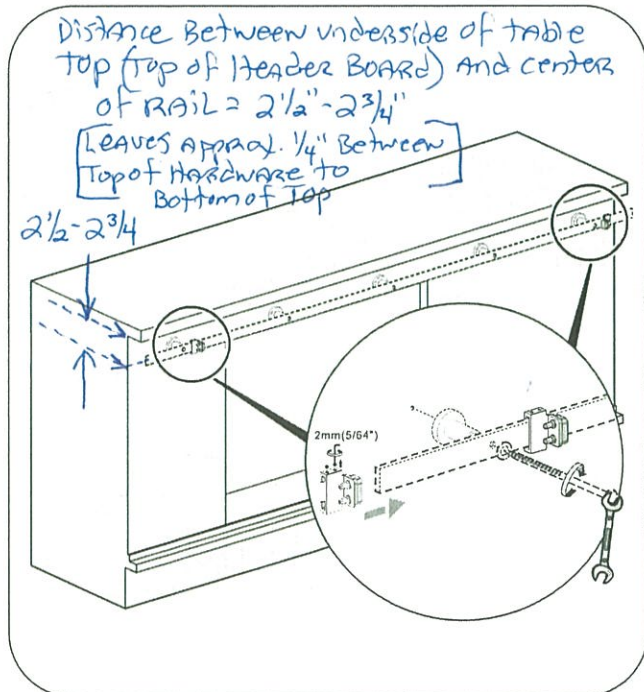
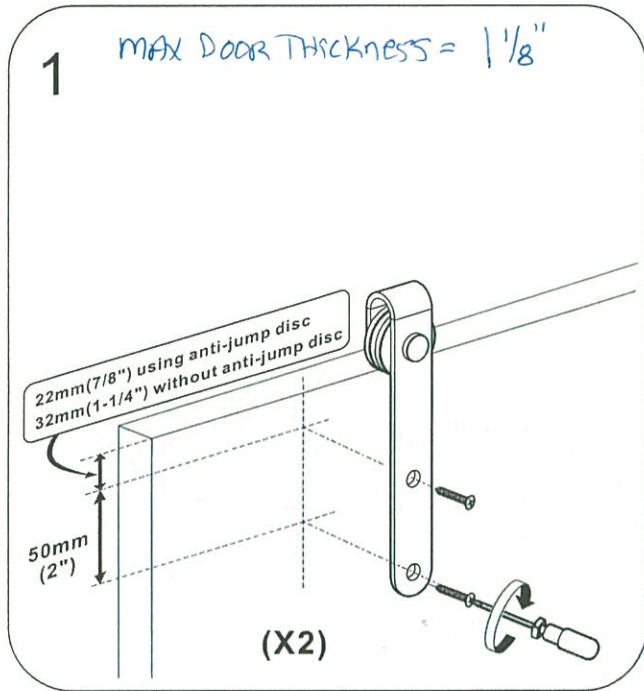
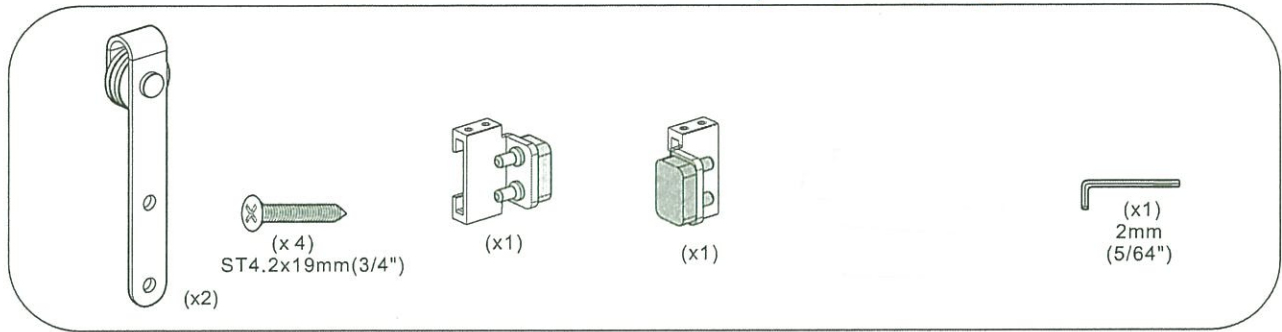
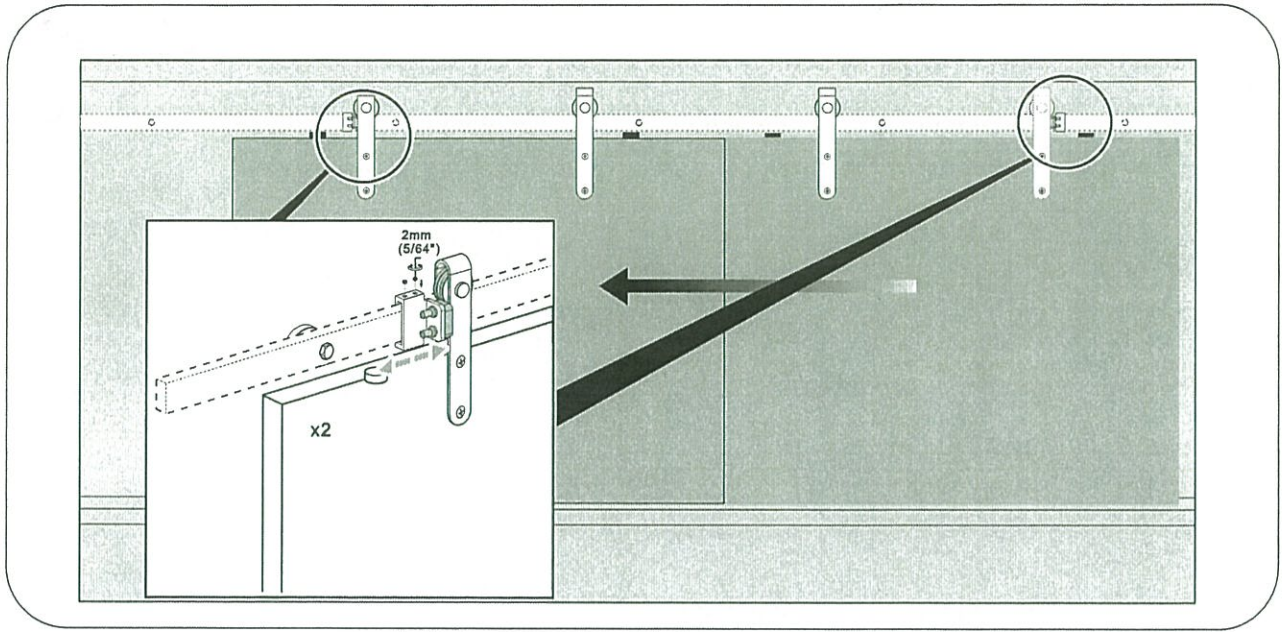


# Installation Manual

NT.1310.01.08 + QG.1410.01.08





RAIL Height = 1"  
 RAIL Thickness = 1/8"  
 RAIL Lengths = 48", 60", 72"

For Front mounted straps

Cabinet Face to Back side of strap = 1/4"  
 calculation of GAP Between cabinet + Back of Door

$$1/4" - \text{Door Thickness} = \text{Gap}$$

Cabinet Face to Front surface of strap (including mounting nut for roller) = 1 5/8" - 2"  
 Cabinet Face to RAIL = 1"

[Depending on the strap style]

