

Designed for use on tables with a 3/32" wide x 5/16" deep slot or saw kerf machined 7/16" down from the top of the apron.

1. Place the tabletop upside down on a flat, non-marring surface.
2. Place the table leg/apron assembly upside down on top of the tabletop. Position the table assembly where you want it to be when attached, making sure that the parts are aligned and that the desired overhang will be achieved.

NOTICE

If your tabletop is made from plywood or other sheet goods that don't expand or contract with seasonal changes, you can install fasteners on all sides.

3. Determine how many Tabletop Fasteners you will need and where you want them. (Typically, they should be spaced 8" - 10" apart.) If your tabletop is solid wood, you need to pay attention to the grain direction; wood expands and contracts across the grain with changes in humidity, but not along the grain. You should install Tabletop Fasteners only on two sides of the table frame, and they should run parallel to the grain. **Fig. 1.** That way, the tabletop is free to expand and contract without binding or cupping.
4. Position the Tabletop Fasteners in the kerf at their desired locations and use the hole in each to mark pilot hole locations.
5. Remove the Tabletop Fasteners and drill 1/8" diameter x 1/2" deep pilot holes at the marked locations. Take care not to drill all the way through the tabletop.

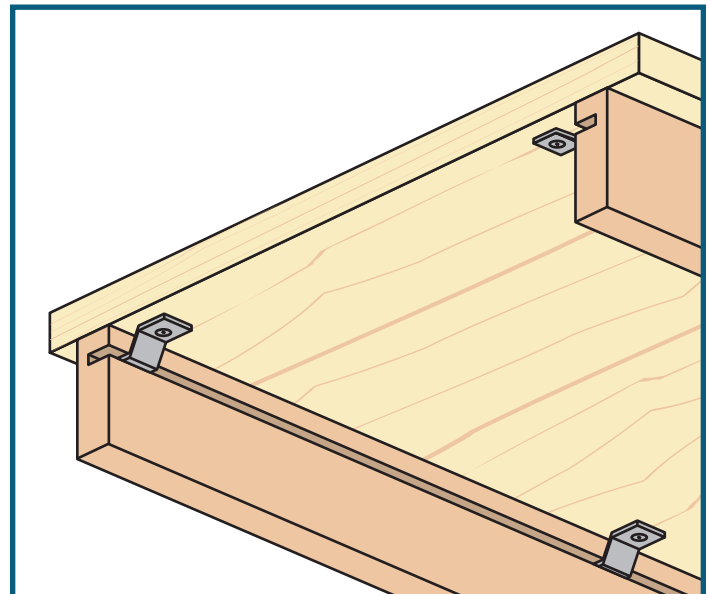


Fig. 1

6. Reposition the Tabletop Fasteners in the kerf and secure them to the tabletop with the included #8 x 5/8" screws.

Check Rockler.com for updates. If you have further questions, please contact our Technical Support Department at 1-800-260-9663 or support@rockler.com

GENERAL SAFETY WARNINGS

This product is designed for specific applications as defined in the instructions and should not be modified and/or used for any other applications. Before using the Tabletop Fasteners, read, understand and follow all instructions and safety information provided. **KEEP THESE INSTRUCTIONS FOR FUTURE REFERENCE.**

- > Always confirm that you are using the most recent version of the Instructions and safety warnings for your product. To find the most recent version, find the product page on Rockler.com and click on the link to the Instructions.
- > For any tool used in conjunction with this product, always read, understand and follow the instructions and safety warnings in the owner's manual for that tool. If you do not have the owner's manual, obtain one from the tool's manufacturer before using it with this product.
- > Before using this product, review and verify that all tools to be used with it have safety equipment installed and are in proper working order as defined by the tools' owner's manuals.
- > Do not use this product until you have read and are confident you understand the instructions.
- > Do not use this product in any manner other than what is described in these instructions. Use only recommended accessories.
- > Do not modify the product in any way unless instructed to by the instructions.
- > Remain alert and use good judgment when using this product. Do not use this product if you are in any way impaired by medications, alcohol, drugs or fatigue.
- > Dress appropriately and remove all jewelry, secure loose clothing and tie up long hair before using this product.
- > It is the sole responsibility of the purchaser of this product to ensure that any third party whom you allow to use this product reads and complies with all the instructions and safety precautions outlined in this manual prior to use.
- > Maintain these instructions and warnings as long as you own the product. Keep this booklet in a place where it will be readily available for reference.
- > The user assumes all risk and responsibility for the proper use of this product and for ensuring product suitability for intended application.
- > Always wear safety glasses in compliance with ANSI safety standards and hearing protection and follow all standard shop safety practices, including:
 - Keep your work area well lit and clean;
 - Unplug all power tools before making any adjustments or changing accessories;
 - Use dust collection tools and dust face masks to reduce exposure to dust;
 - Use accessory safety equipment such as featherboards, push sticks and push blocks whenever appropriate;
 - Do not use power tools in explosive environments (e.g., in the presence of flammable liquids, fumes or dust);
 - Keep children and bystanders away from the tool operating area;
 - Maintain proper footing at all times and do not overreach;
 - Do not force woodworking tools.
- > These warnings and instructions do not represent the total of all information available regarding tool safety, use and technique. Please read the full manual before using this product and always seek out opportunities to learn more and improve your skills and knowledge.

⚠ WARNING: Drilling, sawing, sanding or machining wood products can expose you to wood dust, a substance known of the State of California to cause cancer. Avoid inhaling wood dust or use a dust mask or other safeguards for personal protection. For more information go to www.P65Warnings.ca.gov/wood.

⚠ DANGER

Danger indicates a hazardous situation that, if not avoided, will result in death or serious injury.

⚠ WARNING

Warning indicates a hazardous situation that, if not avoided, could result in death or serious injury.

⚠ CAUTION

Caution indicates a hazardous situation that, if not avoided, may result in minor or moderate injury or property damage.

NOTICE

Notice indicates important or helpful information and/or user tips.