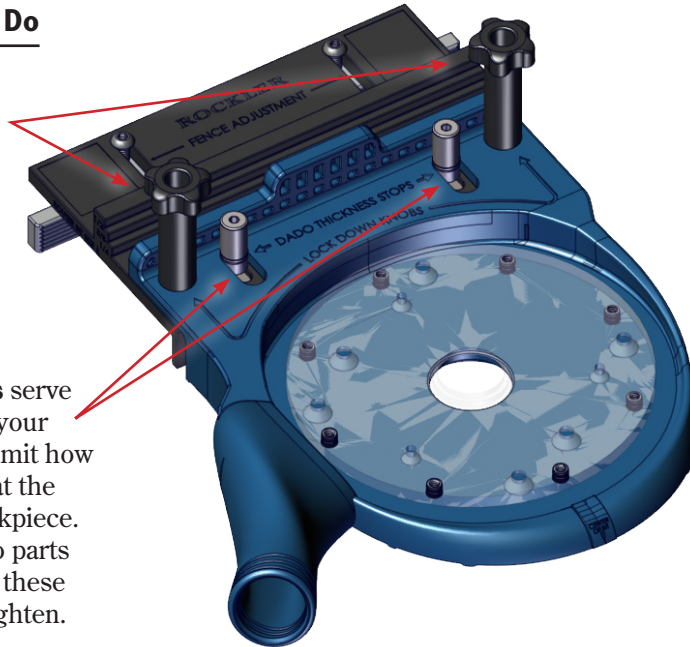


Know What the Knobs Do

The **tall black knobs** lock the blue part of the jig and the black part of the jig together in place both in the “open” and “closed” positions to keep them from shifting or sliding during routing.

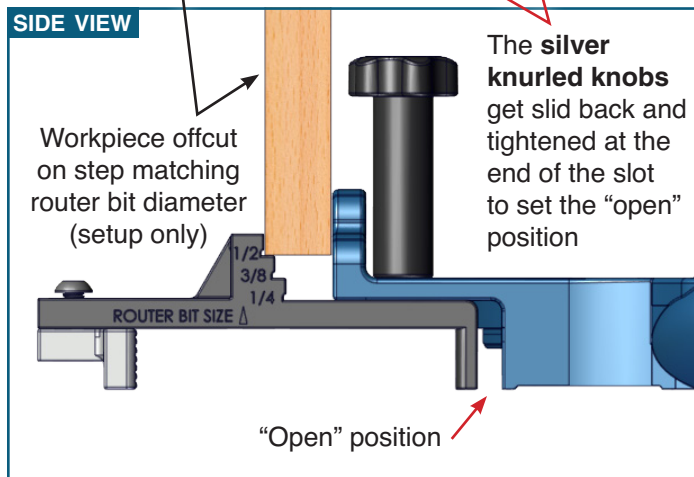
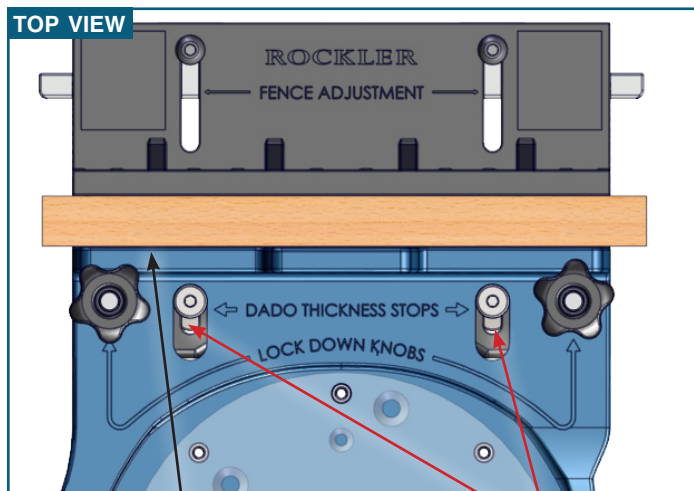
The **silver knurled knobs** serve only as stops. Once set for your material’s thickness, they limit how far the jig can “open” so that the final dado matches the workpiece. They **DO NOT** lock the two parts of the jig together. Tighten these knobs, but **DO NOT** overtighten.



OVERVIEW

Routing a dado with the Perfect Fit Dado Jig involves making two passes – one with the jig in the “closed” position and a second pass with the jig in the “open” position. The first pass in the “closed” position routs a dado equal to the thickness of the router bit you’re using. The second pass, after the jig has been switched to the “open” position, routs the rest of the width for your particular dado. See the **instructions** for step-by-step and safety information.

Setup and “Open” Position (2nd pass)



“Closed” Position (1st pass)

