

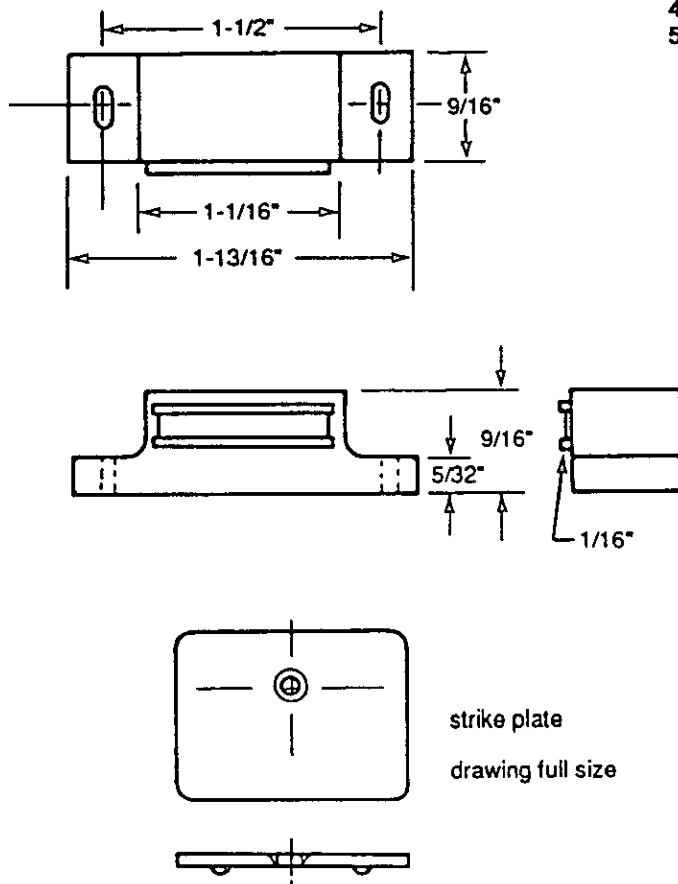
FEATURES:

- magnet is encased in plastic housing (brown)
- housing has slotted hole for adjustment
- double magnet plates have a very strong pull
- supplied with 5/8" X #5 FH Brown and 5/8" x #4 RH solid brass
- intended use is for wood cabinet doors

APPLICATIONS:

A magnetic catch for free swinging hinged doors (single) for the purpose of holding them in the closed position.

SPECIFICATIONS:



strike plate
drawing full size

INSTALLATION:

Introduction: Magnetic catches can be installed on underside of shelf that is the vertical center of door if front edge of shelf meets inner door face when door is closed. When a center shelf does not meet the before mentioned requirements, the best location then for a magnetic catch would be attached to the bottom shelf of cabinet. Figures A & B show examples of how these catches can be mounted with different hinged doors.

Steps of Procedure

- 1 Position magnet with strike plate attached to magnet so that strike plate is in line with inner door surface in closed position.
- 2 Drill pilot holes in shelf and attach the magnet to shelf with screws provided.
- 3 Position strike plate on door to be aligned with magnet. Mark off screw hole center on door.
- 4 Drill strike plate hole and attach strike plate to door.
- 5 Adjust magnet position to obtain correct door closing.

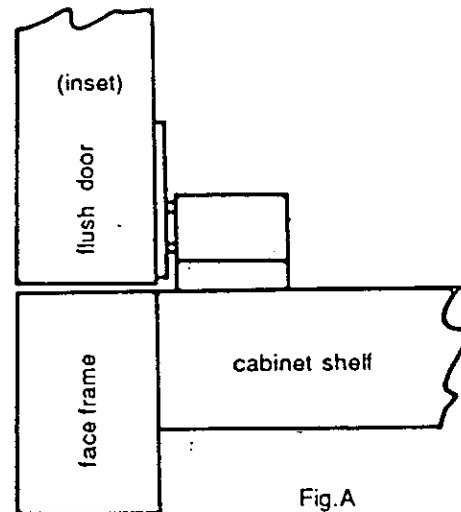


Fig. A