

BRASS BALL CATCH (large)

28662

FEATURES:

- made of solid brass and supplied with brass screws 5/8" x #4 F.H. brass for mounting
- had adjustable tension on the double ball catch
- can be surface or flush mounted
- operates in head-on or sideways position
- strike is attached to door and the catch is attached to the cabinet
- high quality and neat in appearance
- made in China
- for smaller catch see #28613

APPLICATION:

Used for tightly securing cabinet doors in closed position.

SPECIFICATIONS

Length: 1-29/32"

Width: 11/32"

Depth of interlocked parts: 1/2"

INSTALLATION:

Introduction: The above drawings are examples of the many ways this catch can be installed. The nice feature of this catch is its small size. It can be installed in most applications without the need for blocking or shimming. Please note that figures 2 and 3 are examples of strike side entry into catch.

Steps of Procedure - mounting to inside of lower case member (see Fig 3)

1. Interlock strike sideways to catch. Position catch on cabinet with strike base facing toward door. Align strike to meet inside door face in closed position. Mark off screw hole centers of catch in lower case member with pencil. (See Fig. 3)
2. Drill pilot holes and attach catch to lower case member with screws.
3. Take measurements to position strike on inner face of door. Mark off screw holes for strike on door with pencil while holding strike in position to align strike to catch when door is closed.
4. Drill pilot holes in door and attach strike to door with two (2) screws.
5. Adjust spring tension on balls by using a screw driver.

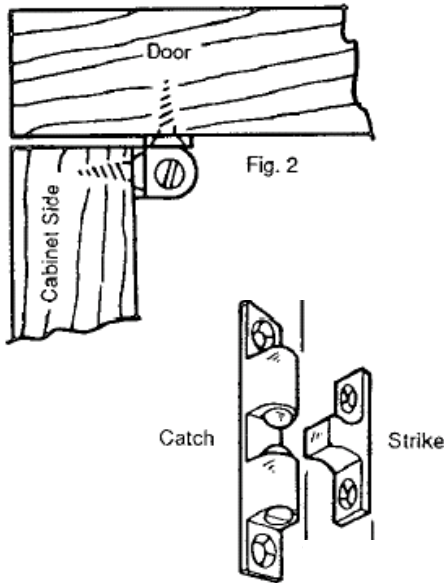


Fig. 1

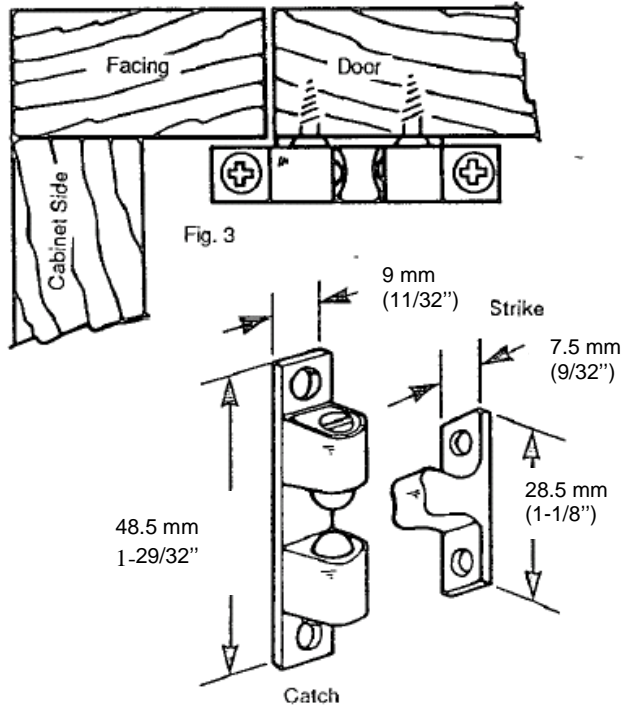


Fig. 3