

EXTENSION TABLE SLIDE(WOOD)

29470-504

(See Chart for
Individual Items #'s)

FEATURES:

- set consists of two (2) units for each table, one left and one right
- made of high grade hardwoods like beech and maple
- sections are approximately 1" thick
- slide will not warp, sag, or bind but will insure a level top and leaves
- mounting screws are not provided

APPLICATIONS:

A quality action, economical, slide that is used in the center of a dividing leg table to provide for level support and to extend smoothly and evenly when adding leaves.

SPECIFICATIONS:

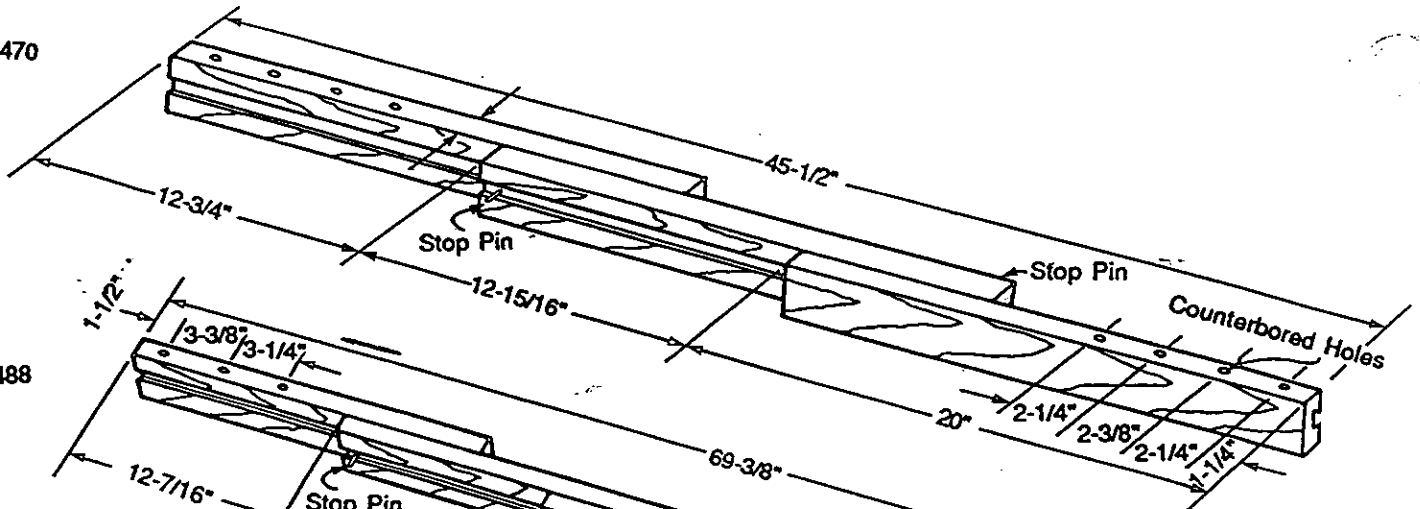
INSTALLATION:

General Information: Place table pins in table top sections (halves) and leaves before installing slides. For table pin installation refer to 21253, 28548.

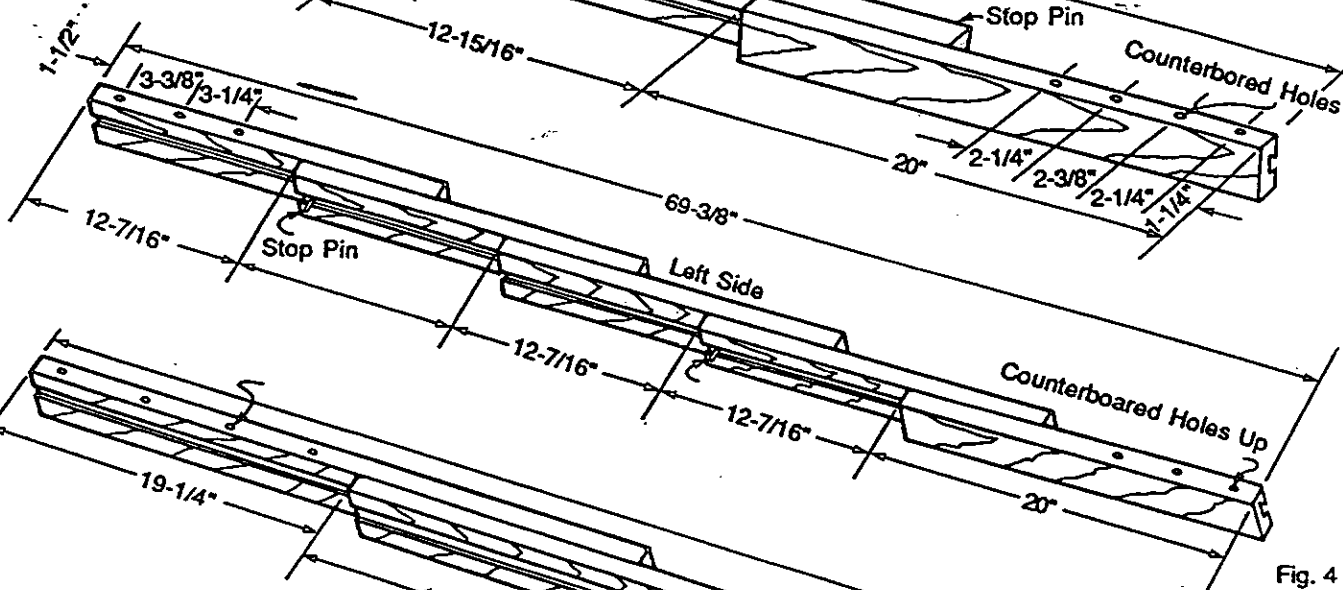
1. Determine the position of the slides on the underside of the dividing leg table.
2. Layout parallel lines on underside of closed table top.
3. Check for 90° alignment of slide lines to table dividing line A. (See Fig. 9)
4. Determine left and right slide - with counterbored holes up. (See Fig. 6)
5. Position closed slide on parallel lines.
6. Center slides on (A) table dividing line.
7. Using a scratch-awl, mark position of anchor holes through shank holes in slide.
8. Put a #12 FHB wood screw into counterbored hole and check the length of the screw thread protruding. (Must not come through more than 9/16" on a 3/4" top.)
9. Install drill stop collar of drill - drill 1/8" anchor hole into underside of table top. Caution: Do not drill any deeper than 9/16" on a 3/4" table top.
10. Replace slides on lines - install #12 FHB wood screws through counterbored holes into the table top.
11. Turn table right side up and open and close the table.
12. Re-adjust and check the table when open, closed and when the leaves are in.
13. Tighten all screws.
14. Install 2-3 table top catches or levelers. (See Fig. 10 &

Item #	Overall length in closed pos.	Total # of sections	Maximum opening	# of 12" Leaves	Slide Height
29470	20"	6	26"	2	2"
29488	20"	10	50"	4	2-3/8"
29496	36"	6	38"	3	2-3/8"
29504	36"	10	62"	5	2-3/8"

29470



29488



29496

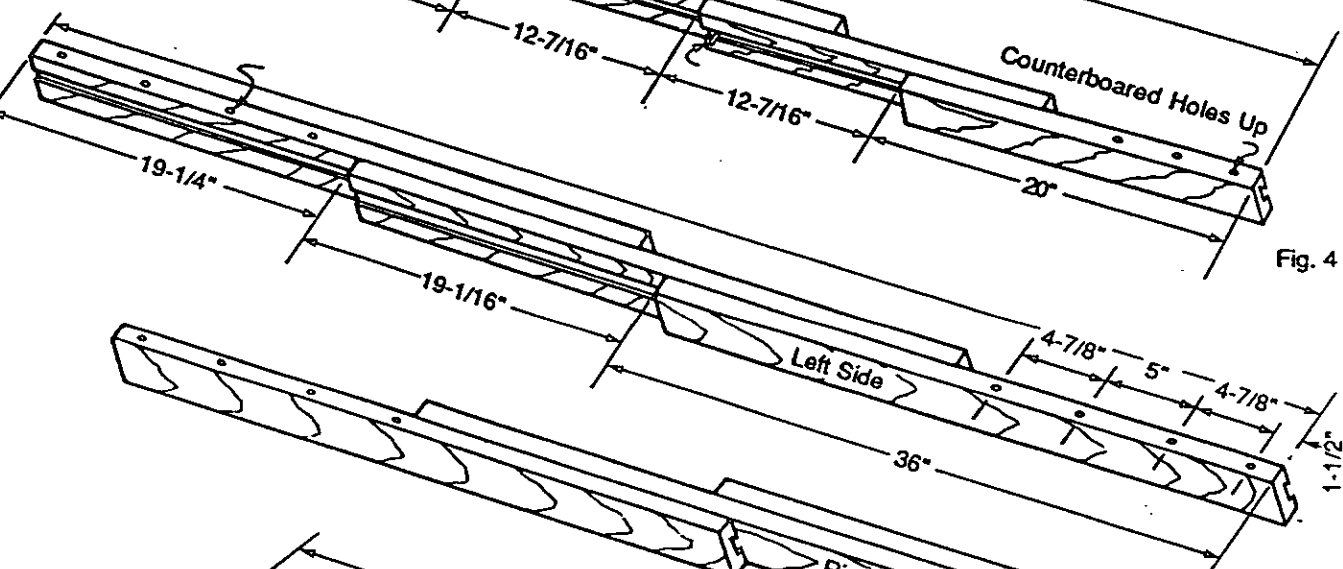


Fig. 4

29504

