

FEATURES:

- wood slides for adding leaves at ends of trestle type tables
- has 14" opening so you can put leaves at each end up to 14" wide
- set consists of four units, two for each end of table
- unit consists of two sections
- overall length of 26" in closed position and 40 " fully extended
- made of high grade hardwood, like beech or maple
- sections are approximately 1" thick and 2" high
- set consists of two left and two right units
- table won't sag at the ends of the table

APPLICATION:

An economically priced slide used in pairs on both ends of a trestle table. The slide provides level support and extends smoothly when adding a leaf.

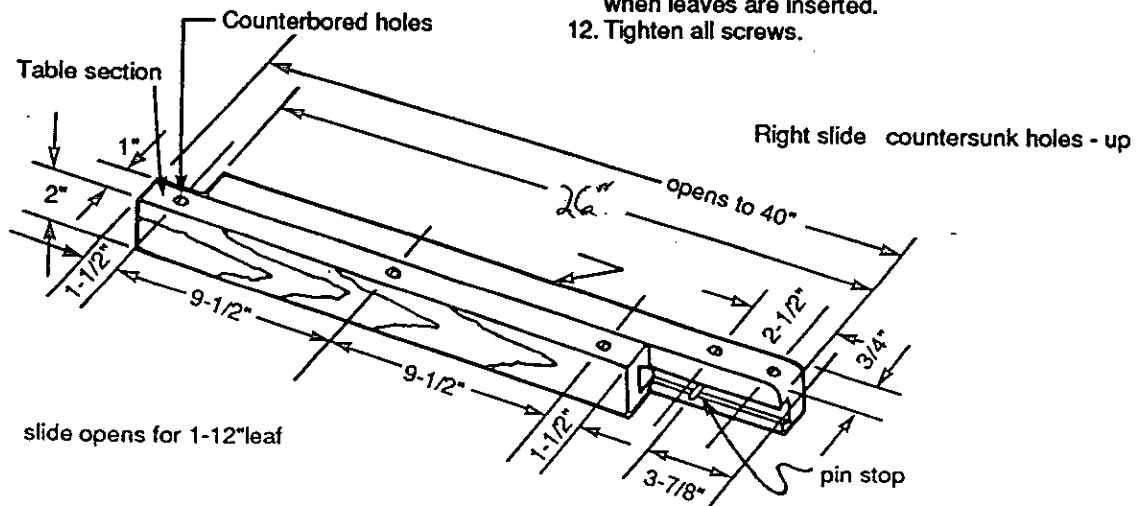
SPECIFICATIONS:

INSTALLATION:

Note: The slides are to be mounted on the underside of the trestle table top. Installation procedures for mounting the twin table slides will require modification for different leg widths and design.

General information: Place table pins in table top sections (halves) and leaves before installing slides. For table pin installation, refer to 21235/28548.

1. Determine position for slides on underside of table. Check to make sure they clear the leg of the trestle table.
2. Layout parallel lines on underside of table top and extension. (B) (See Fig. 3) Check for 90° alignment of slide lines to table dividing line (A).
3. Determine left and right slide, with counterbored holes up. (Fig. 1 is right slide)
4. Position closed slide on parallel lines.
5. Centerline (A) should locate on dividing line on underside of table. (Fig. 4)
6. Using a scratch awl, mark position of anchor holes through shank holes in slide.
7. Put a #12 FHB wood screw into countersunk hole and check the length of the screw thread protruding. Protrusion must not extend more than 9/16"
8. Install stop collar on drill. Drill 1/8" anchor hole into underside of table top and extension top. Caution: do not drill any deeper than 9/16" on a 3/4" table top.
9. Replace slides on lines. Install five #12 FHB wood screws through slide holes into the table top and top end extension.
10. Turn table right side up. Open and close the table extension part.
11. Readjust and check the table when open, closed and when leaves are inserted.
12. Tighten all screws.



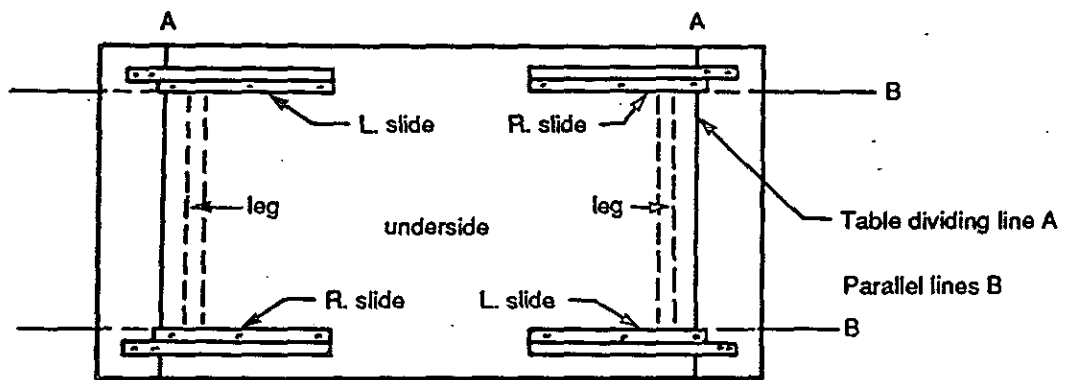
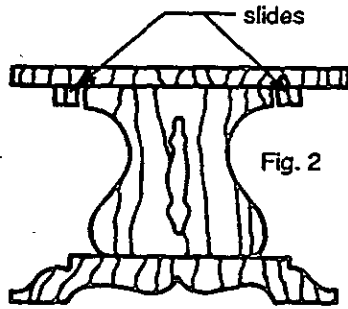


Fig. 3

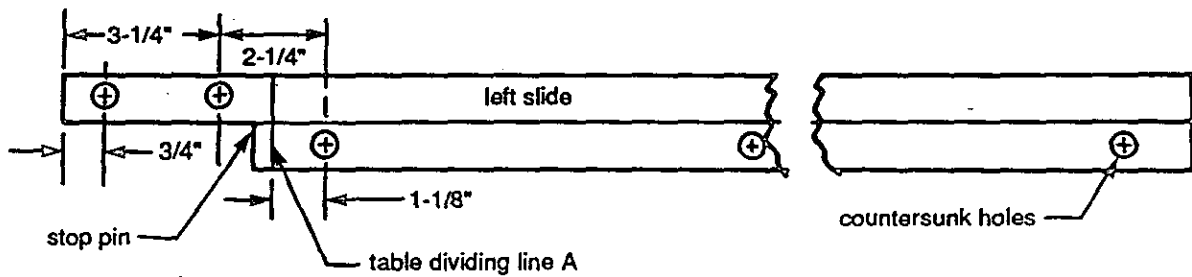


Fig. 4