

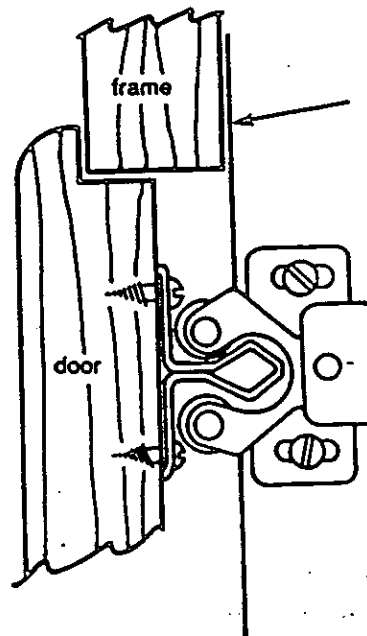
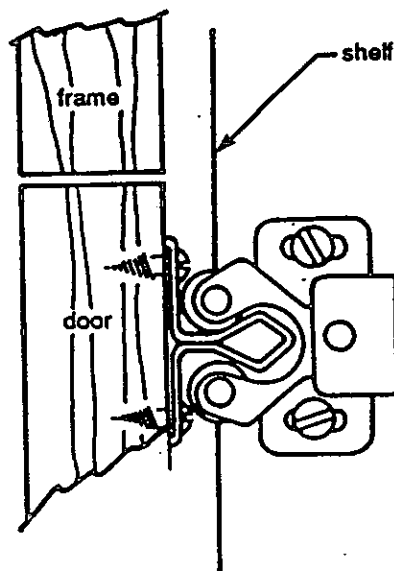
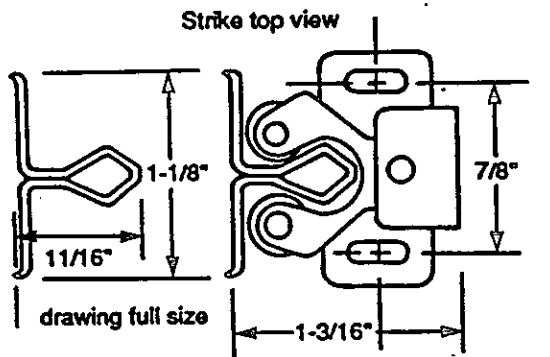
FEATURES:

- made of steel with bronze finish
- smooth plastic rollers with firm grip
- noiseless
- self-adjusting / double rollers
- easily installed
- packed with screws

APPLICATION:

A friction catch for holding cabinet doors in closed position.

SPECIFICATIONS:



INSTALLATION:

1. Assemble strike into double roller. Determine mounting location. Preferred mounting would be to underside of a fixed shelf. Measure vertical dimension of shelf and mark on inside of hung door. Mark a vertical line 1" from door edge for strike location. Mark a point 1/8" down from intersection of horizontal shelf line and vertical strike line. Draw a short horizontal line through this point.
2. Center strike on the short horizontal line. Mark screw holes with pencil.
3. Drill pilot holes and then attach strike
4. Place double roller catch onto strike. Close door and mark double roller screw hole slots onto underside of shelf starting from the back. Drill pilot holes and attach. If necessary, make final adjustments so that door closes correctly.

Note: if it is impossible to reach in from behind the cabinet with a pencil to mark screw holes, measurements will have to be made in two directions and transferred to underside of shelf .