

**FEATURES:**

- heavy duty steel with a chromated finish
- can be used for an adjustable finish
- has 14 positive adjustments
- screws and instructions included
- must be used in combination with a piano hinge

**APPLICATIONS:**

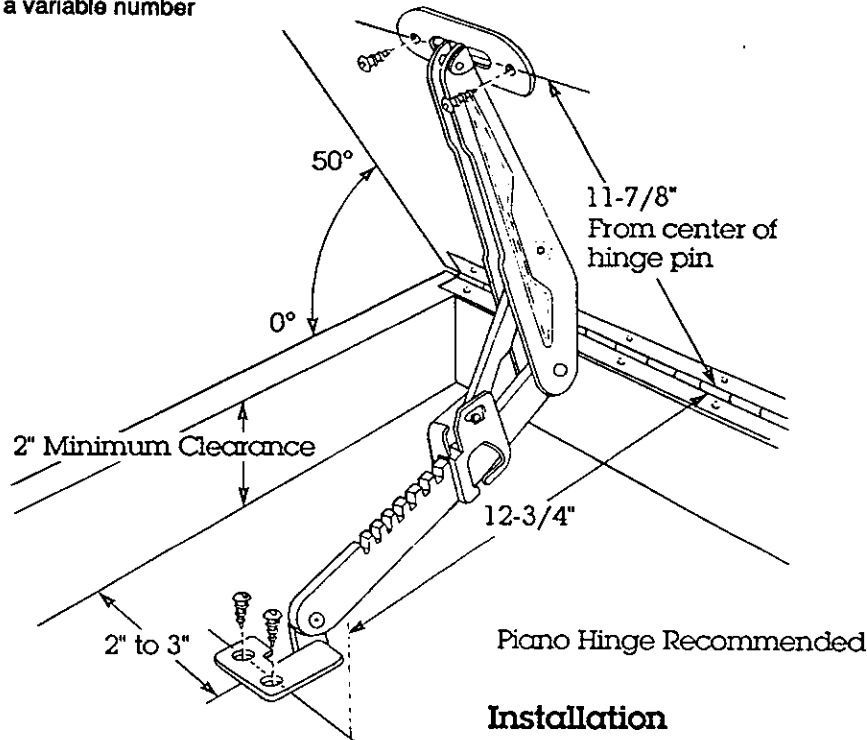
This hardware product is used in combination with a hinge to allow a drafting table top or bed platform to be adjusted from the horizontal position to a 50° in a variable number of increments.

**SPECIFICATIONS:**

**INSTALLATION:**

**Introduction:** To begin, build a box frame with a bottom that has an inside depth of 2". Make a top for this box that is equal to or greater than the outside dimensions of the box. Mount this top to box with a piano hinge.

1. Mark screw hole locations as shown in Fig. 1.
2. Drill pilot holes and attach to inside of box.
3. Attach tilting arms to top underside.
4. Check procedure and make final adjustment.



**Installation**

Drawing depicts the hardware mounted in a position allowing a 0° - 50° range of adjustment in 14 increments. Screw locations other than those shown may cause a different range of adjustments.

