

FEATURES:

- economical
- under drawer mounting slide
- track length is 22-5/8" and may be cut down to desired length
- drawers lift out for easy removal
- recommended for loads up to 50 pounds
- includes an optional rear mounting socket
- requires a minimal side clearance of 1/8" per side
- track has nylon rollers
- made of zinc plated cold rolled steel
- features a positive stop slot so drawer will not fall on floor - approximately 4" from front
- extension is 4" less length of slide

APPLICATIONS:

This slide is designed for center mount installation on drawers for kitchen cabinets or bathroom vanities.

SPECIFICATIONS:

Clearance required: 1/8 each side; 1-1/4" from rear of drawer to cabinet back; drawer to be 3/8" shallower than vertical opening for easy removal.

INSTALLATION:

- A. Drawer**
1. Mark vertical center line (B) on drawer back. (See Fig. 2)
 2. Align vertical scribe on rear roller flange with center line.
 3. Position lower edge of roller flange even with bottom of drawer back and fasten with screws.
- B. Cabinet**
1. Slide back bracket into channel track.
 2. Locate center lines at front and back of cabinet opening with supplied screws. Place screws in adjusting slots only. (See Fig. 3)
 3. Locate side rollers with flange against sides of cabinet opening (or width of drawer sides). (See Fig. 3)
- C. Alignment/Adjustments:**
1. Slightly loosen screw in back bracket seat. (See Fig. 3)
 2. Insert drawer in track.
 3. Laterally adjust back bracket to align drawer front when closed to cabinet front.
 4. Tighten screws in front and back slots.
 5. Install additional screws in front and back of track to hold in final adjustments.

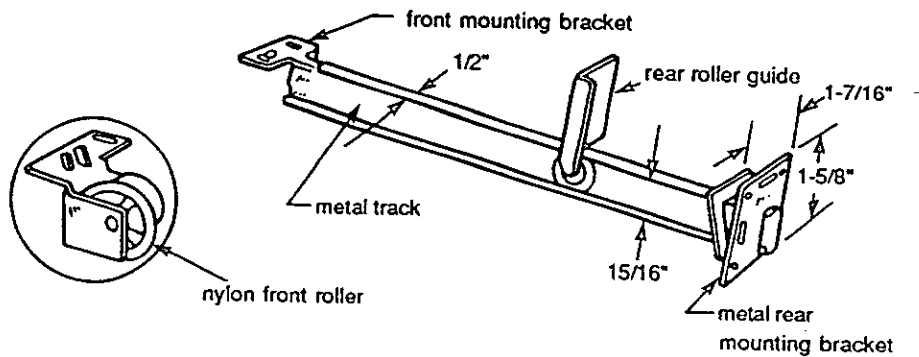


Fig. 2

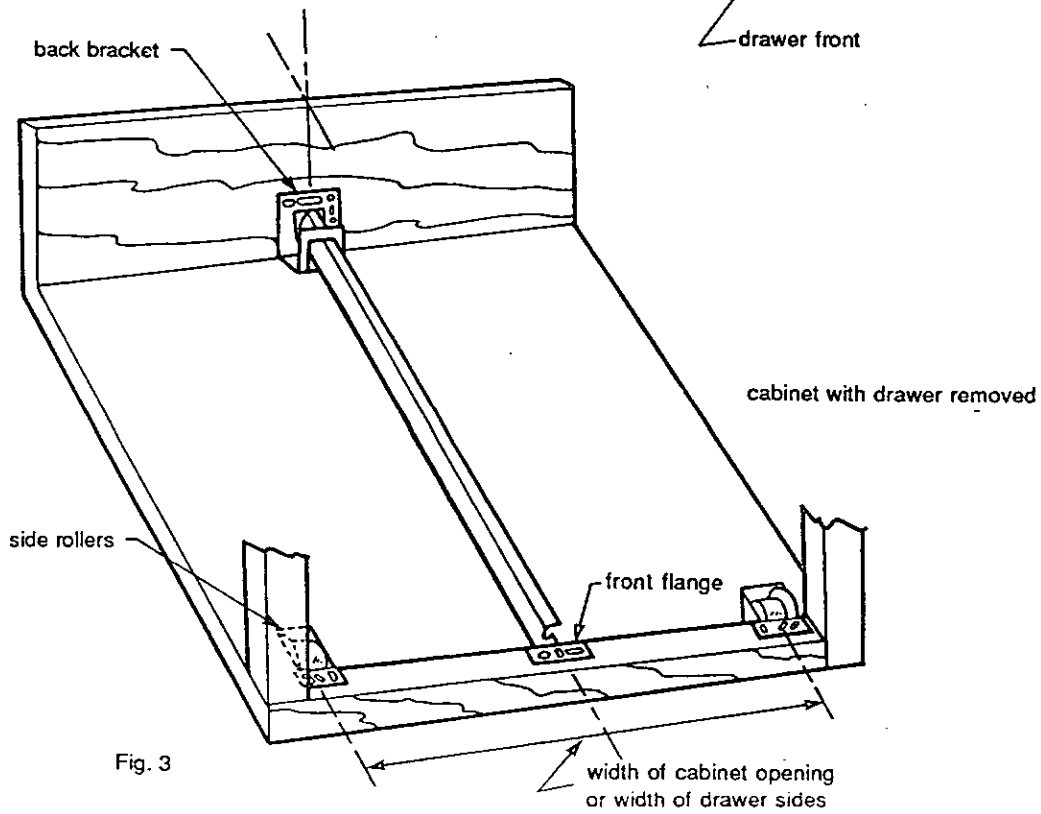
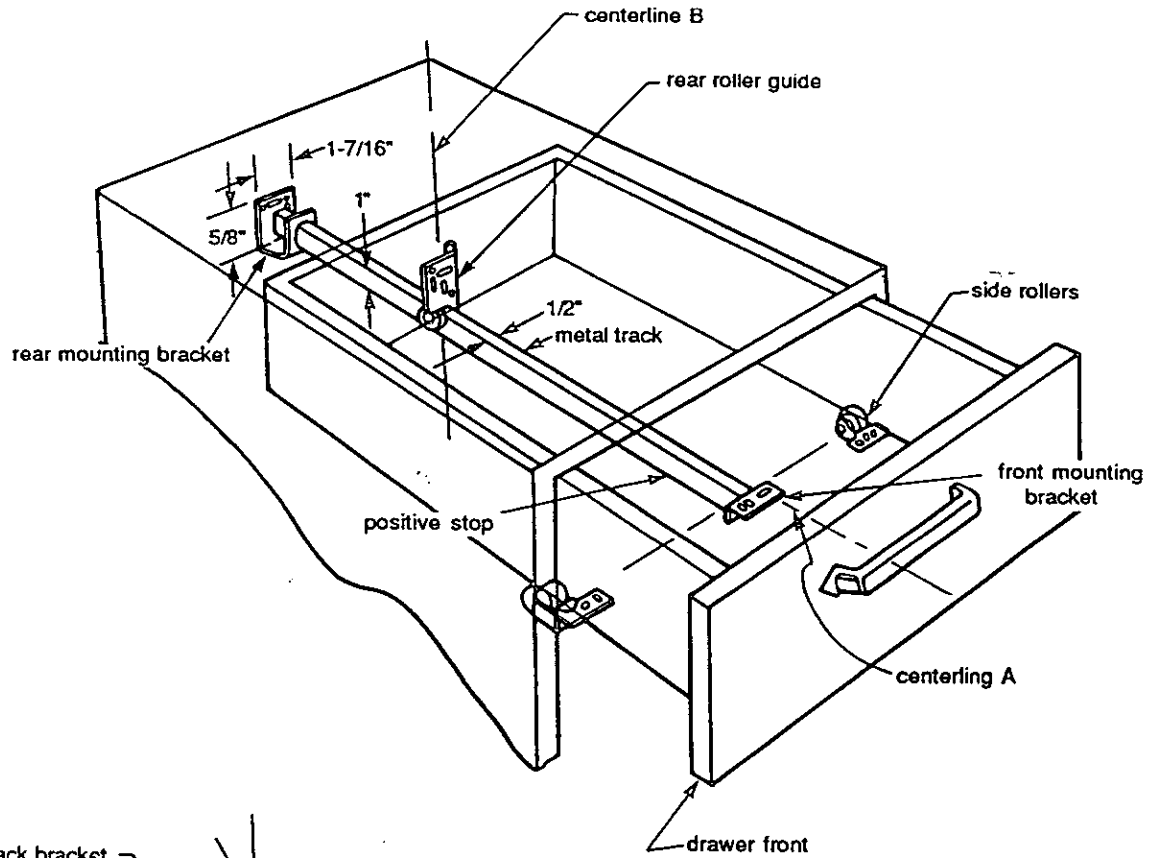


Fig. 3