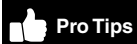


BASIC BOARD TABLE Assembly

MATERIALS AND SUPPLIES:

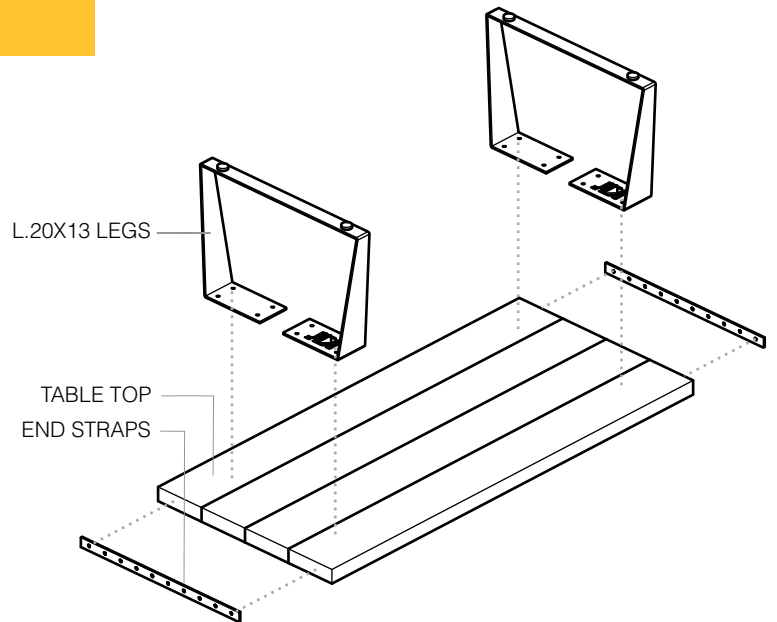
- a) Your table top material (2x6, 2x8, or your choice of other boards)
- b) KIT Hardware and fasteners (screws supplied)
- c) Drill
- d) Drill bit (3/32" is ideal for pilot holes)
- e) Phillips head bit (a long bit or bit holder helps your reach)
- f) Finishing Supplies of your choice: sand paper, polyurethane, stain, paint (whatever YOU choose!)



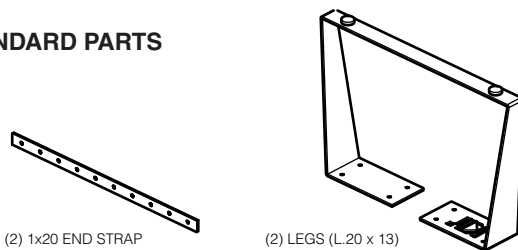
Pro Tips

Pro-tip: Read through the instructions before beginning so you know where you're headed. This will help make the process as successful as possible.

Pro-tip: Check the KIT&Co. website (www.kitn.co) and YouTube channel for support and links to finishing tips, wood suppliers, how-to videos, and references to other builders who can help you customize your KIT project!



STANDARD PARTS



MEASURE



CUTTING



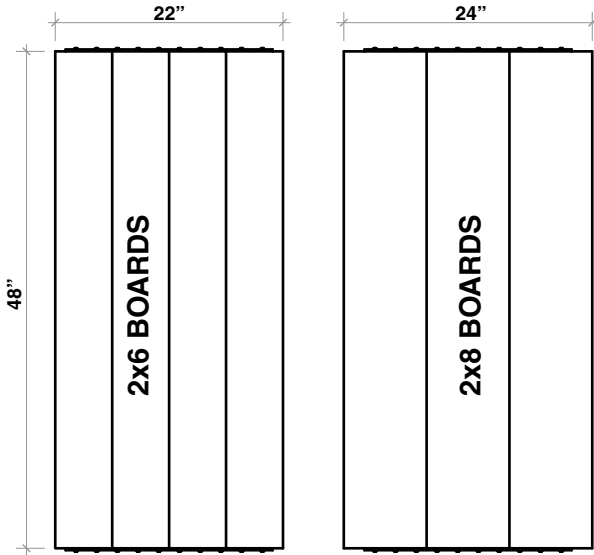
MARK



DRILL

**1) LAYOUT YOUR BOARDS:**

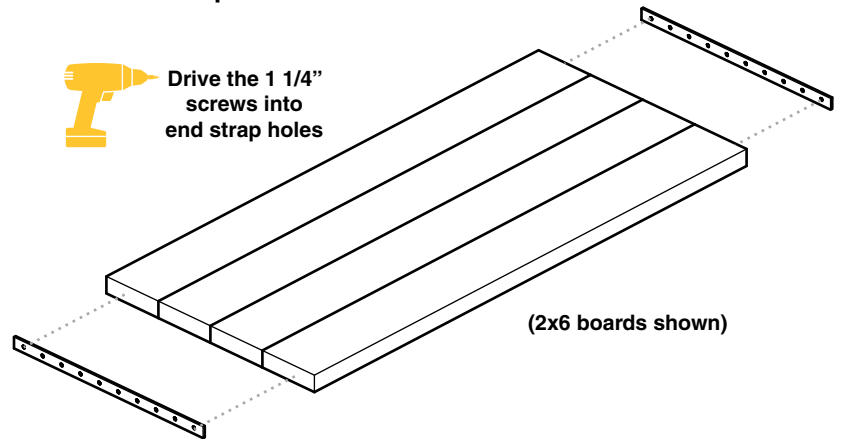
Depending on your board selection, you will want 3 or 4 boards (+/-) to make a table top between 20"-24" wide. We recommend (4) 2x6 boards as the most basic table. The strap should work well with any size boards, either used rough (as is) or planed down to be square. It's up to you how much prep work you want to do.

**2) ATTACH THE END STRAPS:**

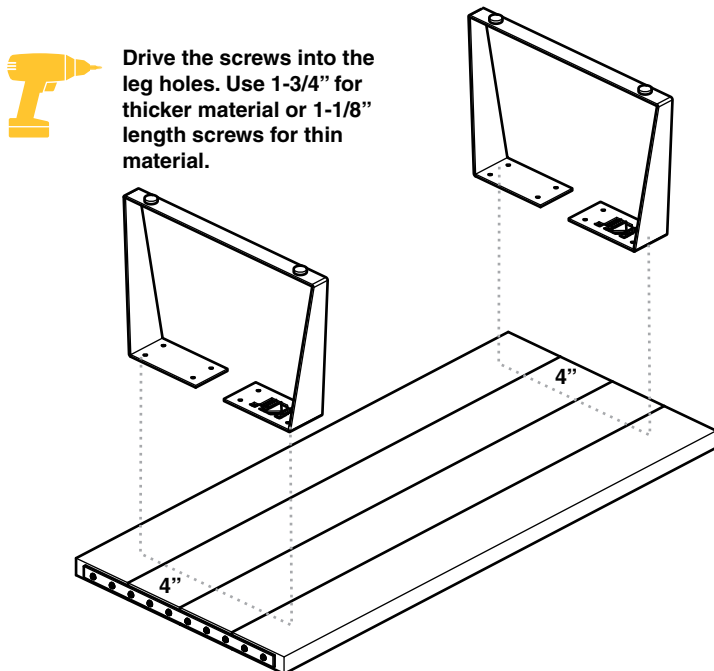
Layout your boards on a clean, flat surface. If you need to pre-sand or pre-fit the pieces, now is the time to make any adjustments before you attach the end straps.

If possible, get a friend or use some clamps to gang the boards together side by side, but if you're moving quickly, you can do it alone by hand (we've built many this way!).

Center the straps on the boards, and use the screws (supplied) to attach. If you have trouble, you can pre-drill the holes to help attach the screws.

**3) ATTACH THE LEGS TO THE BASE:**

The legs can be attached however you like, we suggest 4" inset from the end of the table (centered width-wise), but tweak the location to suit your eye.

**4) FINISH THE TABLE:**

Flip your assembled table and use it as-is, or finish it as you like to make your table into a custom creation!

Check the KIT&Co. website (www.kitn.co) and the KIT YouTube channel for support and links to finishing tips, wood suppliers, how-to videos, and references to other builders who can help you customize your KIT project!

