

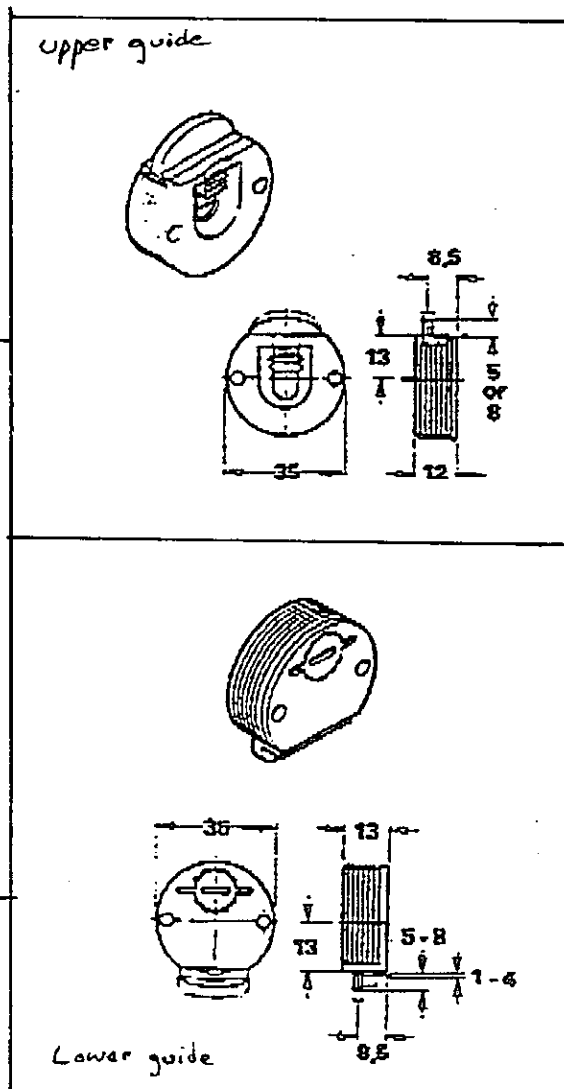
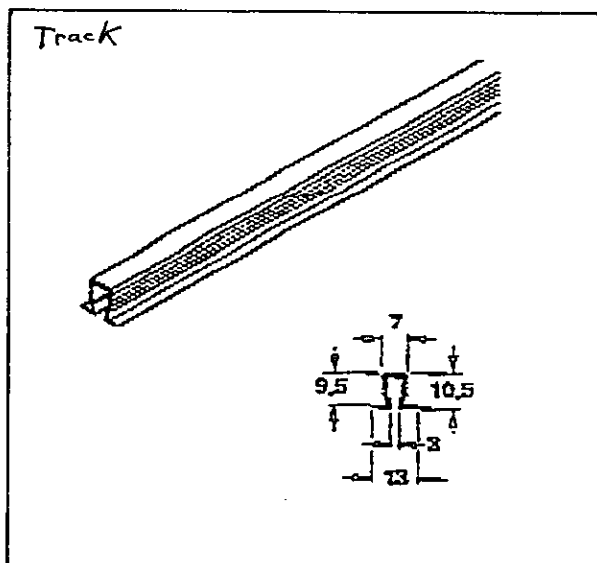
FEATURES:

- each kit contains two 58" tracks, 2 upper guides and 2 lower guides (note Entertainment Center project in Today's Woodworker Issue 24 requires 2 kits)
- tracks are made from plastic extrusion (brown) with side ribbing for press fit into dadoses at top and bottom of cabinet opening
- both upper and lower guides are made from brown molded plastic with ribbing for easy press fit installation
- tracks require mortise 7mm wide and 9mm deep
- both upper and lower guides require drilling of 35mm hole, 12mm deep for installation
- upper guide has adjustable lug, lockable at 5mm and 8mm depths
- lower roller guide has vertically adjustable steel spindle, nylon roller and guide lug
- for door thicknesses of 5/8" or greater
- weight rating of up to 44 lbs. per door panel

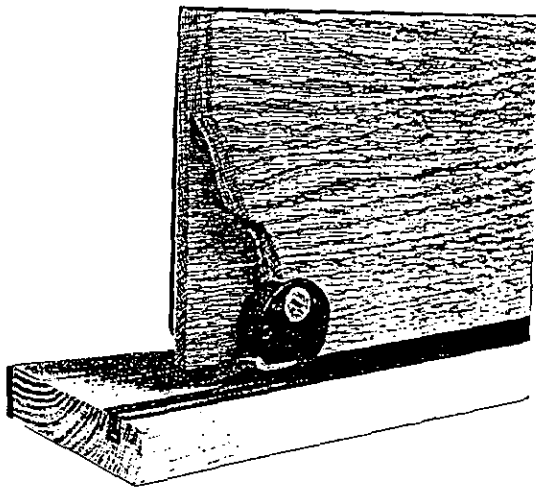
APPLICATION:

These sliding door hardware fittings give sliding doors silent operation and concealed hardware.

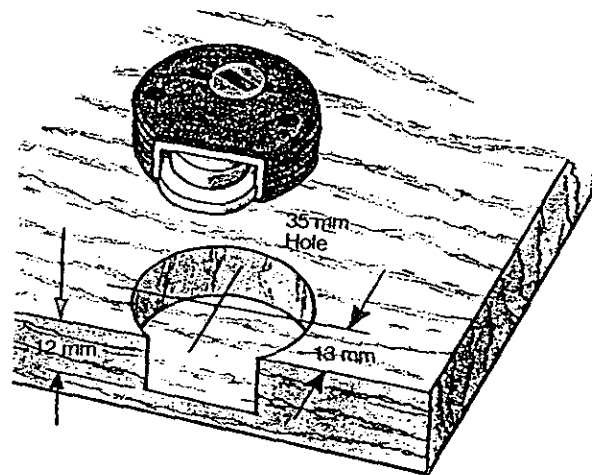
SPECIFICATIONS:



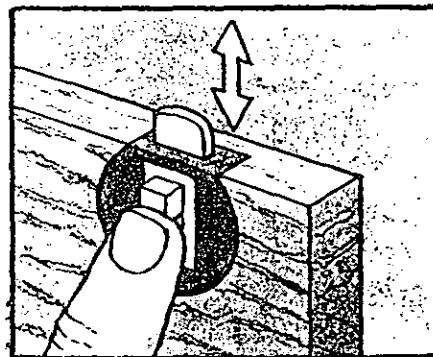
European Door Slides



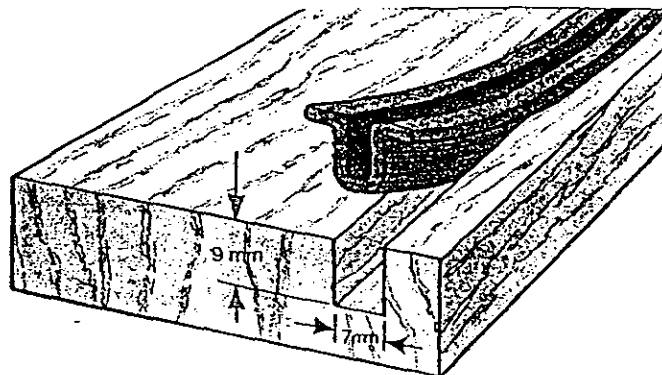
Drill mortises for the guides with a 35mm bit. Once installed, adjust the lower guide rollers by turning a cam dial with a flat tipped screwdriver.



The upper guides have an adjustable lug that slides in and out of the track, allowing for easy removal of the door.



Use a dado blade, or make several passes with a standard blade, to cut the groove for the track. The ribbed sides of the track will hold it firmly in place.



88155

(Each Kit Contains 2-58" tracks, 2 upper guides and 2 lower guides)


The Woodworkers' Store

© The Woodworkers' Store 1992