

INCRA Special Edition Mast-R-Lift II

Manufactured by JessEm

INCRA®

Your new INCRA Mast-R-Lift II is a Special Edition Model manufactured to INCRA's custom specifications by JessEm Tool Company and incorporates INCRA's new 5-ring solid steel MagnaLOCK Ring Insert System in place of the 1-ring Tab-Loc system. The INCRA MagnaLOCK Ring Insert System permits quick and easy size changes and provides a perfectly flush alignment with the surrounding plate. The top plate is sized for a perfect match with any 8-1/4" x 11-3/4" router table opening that will accommodate a 3/8" thick plate.

Please read the instructions below for complete details on how to use all of the special features.

INCRA MagnaLOCK Ring Insert System:

CAUTION: Always keep hands safely clear of the router bit when installing or changing ring inserts.

Step 1. Install INCRA MagnaLOCK Ring Insert

Orient the ring insert relative to the router plate as shown in Figs. 1 & 2, then lower the plate into the plate recess. The (4) rare earth magnets are extremely powerful, and the ring insert will SNAP into place.

TIP: The insert is keyed to fit only one way. If it doesn't align on the first try, flip it over and try again.

Step 2. Adjust Ring Levelers

With the ring insert in place, insert the 3/32" hex key into each of the (4) adjustment holes and adjust as needed to level the insert flush with the top surface of the plate, Fig. 2.

To remove the ring insert, slide the 3/32" hex key under the access hole and lift up, Fig. 3. **DO NOT** push downward on the hex key to remove the insert, because this can mar the surface of the router plate.

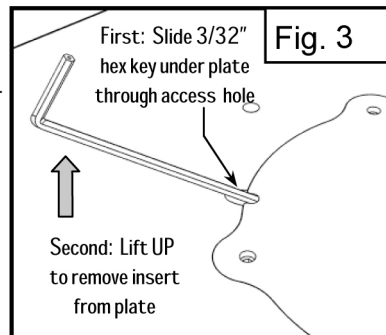


Fig. 1 Install Magna-LOCK ring insert

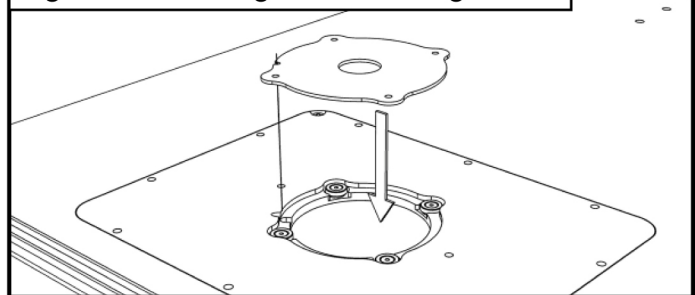
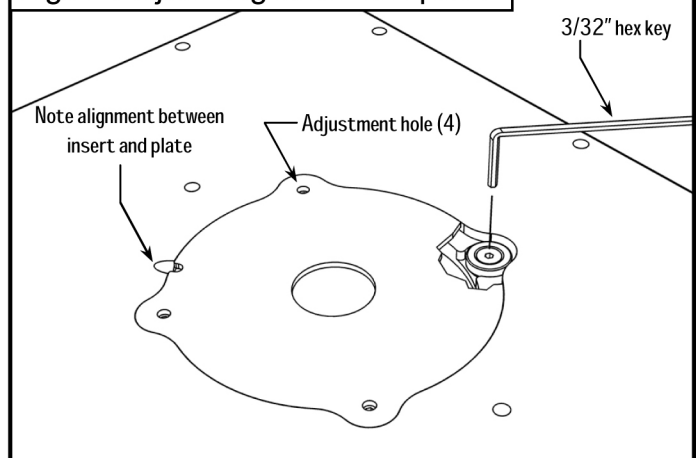


Fig. 2 Adjust ring flush with plate



Alternate Top Plate Leveling:

Your new Mast-R-Lift II is designed to interface perfectly with Rockler Router Tables and allows you to use the under table plate leveling system provided with the table. For these Rockler tables you DO NOT need to use the 1/4-28 set screws provided with the Mast-R-Lift II for leveling. If you choose to use the Mast-R-Lift II in any other table use the fasteners that are provided in the threaded holes around the perimeter of the top plate to level the plate.

Manufactured by:
Taylor Design Group, Inc.
P.O. BOX 810262 Dallas, TX 75381
www.incra.com

INCRA is a Registered Trademark of Taylor Design Group
©2009 Taylor Design Group, Inc.

INCRA Tools are protected by one or more of the following US patents:
#4,793,604, #4,930,221, #5,195,730, #5,275,074, #5,423,360, #5,716,045, #6,237,457,
#6,557,601, #6,672,190. Other patents granted or pending. rev.07.13.11

