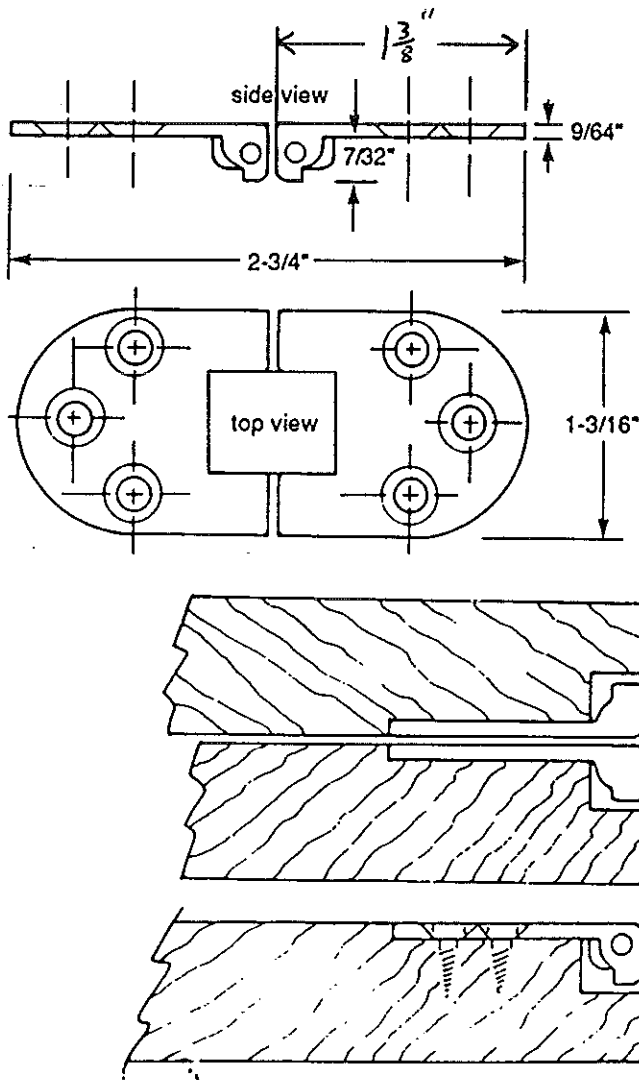


FEATURES:

- made of solid extruded brass with polished finish
- double knuckle/pin that allows fold-in leaf of 180° to rest flat on adjacent table surface
- no knuckle to interface
- supplied with 5/8 x #8 flat head brass screws
- must be recessed flush to surface
- .070" leaf thickness

APPLICATIONS:

A hinge for a fold-in table extension (flush mounted).

SPECIFICATIONS:**INSTALLATION:**

1. Place hinge edges of top and fold-out leaf together with a 1/32" thick spacer shim between them.
2. Place hinge upside down on hinge joint with double knuckle equally straddling the meeting edges. Hinges should be placed inward 2" from sides.
3. With hinge properly located (upside down), use a sharp pencil to mark outline of hinge on both tables while hand pressure is exerted downward to prevent hinge movement.
4. Using wood chisels and a straight gouge, cut out for hinge leaves to a depth equal to the hinge leaf thickness.
5. Now chisel out additional wood for the double knuckle and hinge plate. This should measure 3/8" W x 14" D into each top from meeting edges.
6. Place hinge into recess (gain cut) and check for fit. It should be flush to face of top and fold-out top.
7. When proper fit is achieved, mark and drill screw pilot holes with hinge positioned in recess.
8. Attach hinge to both main top and fold-out.

