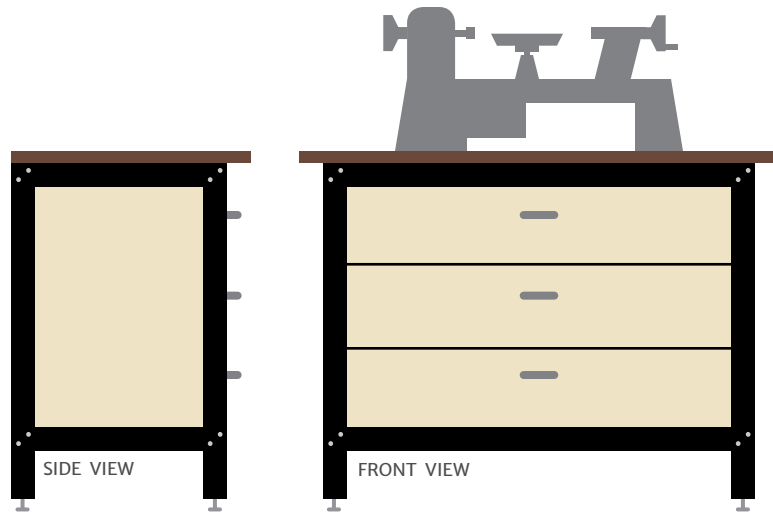


SHOP STAND IDEAS: MINI LATHE STATION

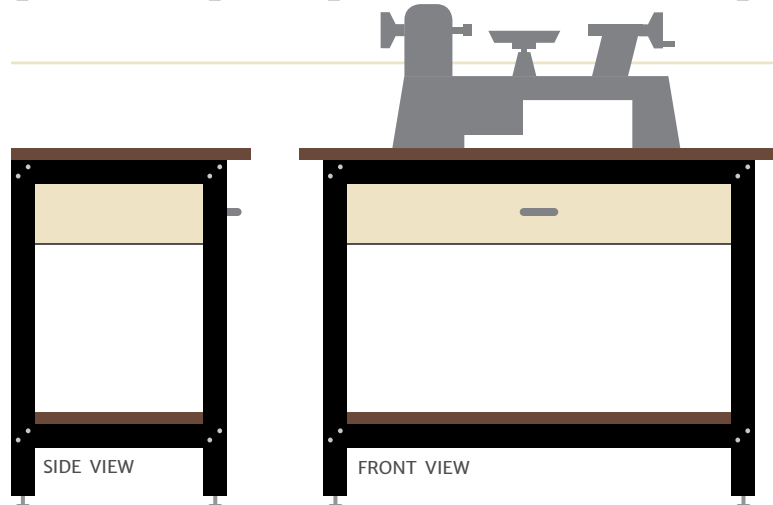
It's important to have your lathe at the right height, both for comfort and safety. For many woodworkers, Rockler's 28" high Shop Stand Legs position the lathe perfectly to provide all the leverage and control needed when turning. If you're a little taller and want the option of moving the station around, add a set of locking casters.



Enclosed cabinet + drawers

One 18"W x 36"L x 28"H Shop Stand.
To add drawers, you'll need to install blocking at the sides.

- (1) 68618 28" Shop Stand Legs
- (1) 60757 18" Shop Stand Stretchers
- (1) 60772 36" Shop Stand Stretchers

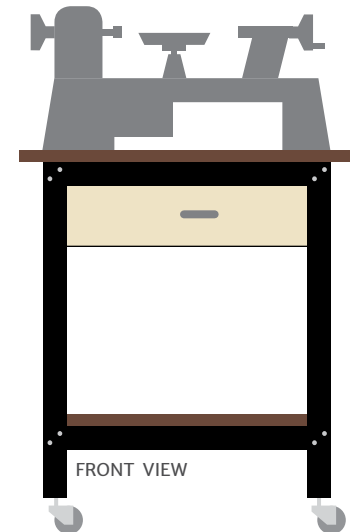


Open storage + single drawer

One 18"W x 36"L x 28"H Shop Stand.
To add the drawer, you'll need to install blocking at the sides. Add a shelf on the bottom stretchers for open storage.

- (1) 68618 28" Shop Stand Legs
- (1) 60757 18" Shop Stand Stretchers
- (1) 60772 36" Shop Stand Stretchers

SMALL SHOP SOLUTION



Open storage + single drawer for tight space

One 18"W x 24"L x 28"H Shop Stand. Blocking required for drawer. Add a bottom shelf for storage and casters for mobility.

- (1) 68618 28" Legs
- (1) 60757 18" Stretchers
- (1) 60764 24" Stretchers
- (1) 47034 Locking Casters, Set of 4

NOTE: Table tops, shelves, drawers, drawer slides, drawer pulls, shelves and hinges are not included. Many options are available at rockler.com.