

Fig. 1

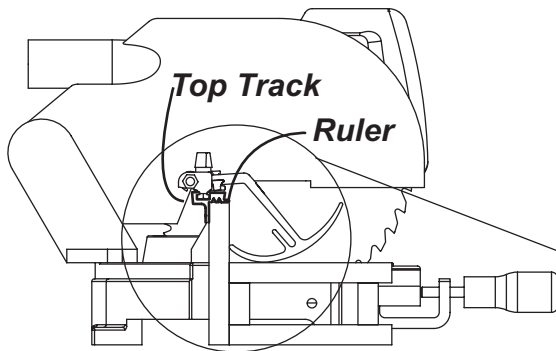


Fig. 3

The top side of the trak is recessed for a 1/2" left-to-right or right-to-left self adhesive measuring tape (see fig. 3) Order rulers separately.

The board supporting the trak should be 2.25" in height as shown in in figure 4.

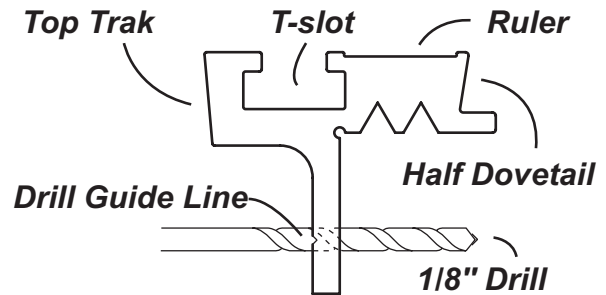


Fig. 2

Our new track and floating stop system lets you cut boards to length without needing to reset your stop. Use it with your existing miter saw or radial arm saw. It can be mounted to either side of the saw. The track and stops can also be used to build jigs and fixtures.

The table design allows you to customize the table height for your saw (see fig. 1).

The trak can easily be cut to length with a hacksaw. A slot in the trak functions as a drill guide. Drill a 1/8" screw hole 1" from each end, then space the remaining screw holes evenly between the outside holes (see fig. 2).

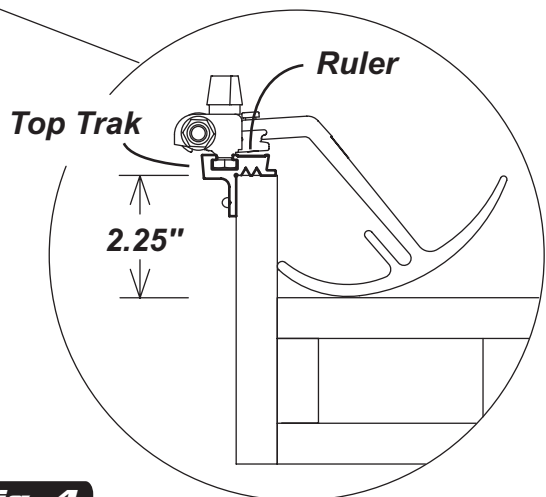
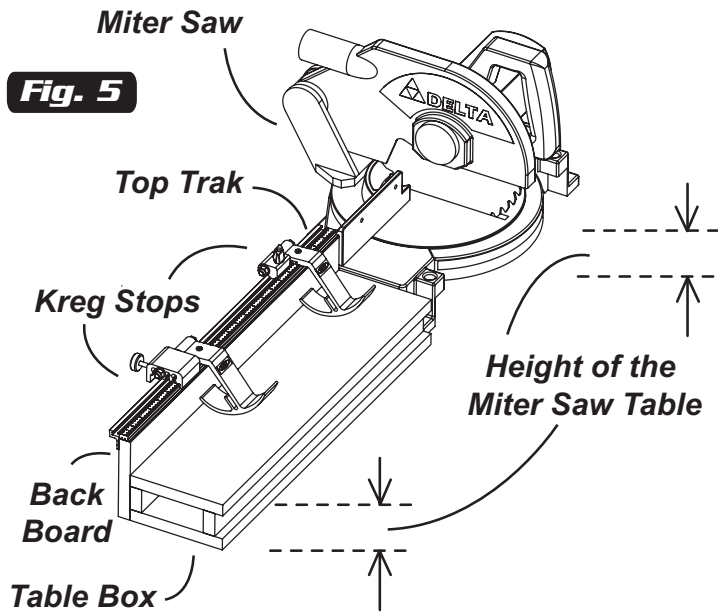


Fig. 4



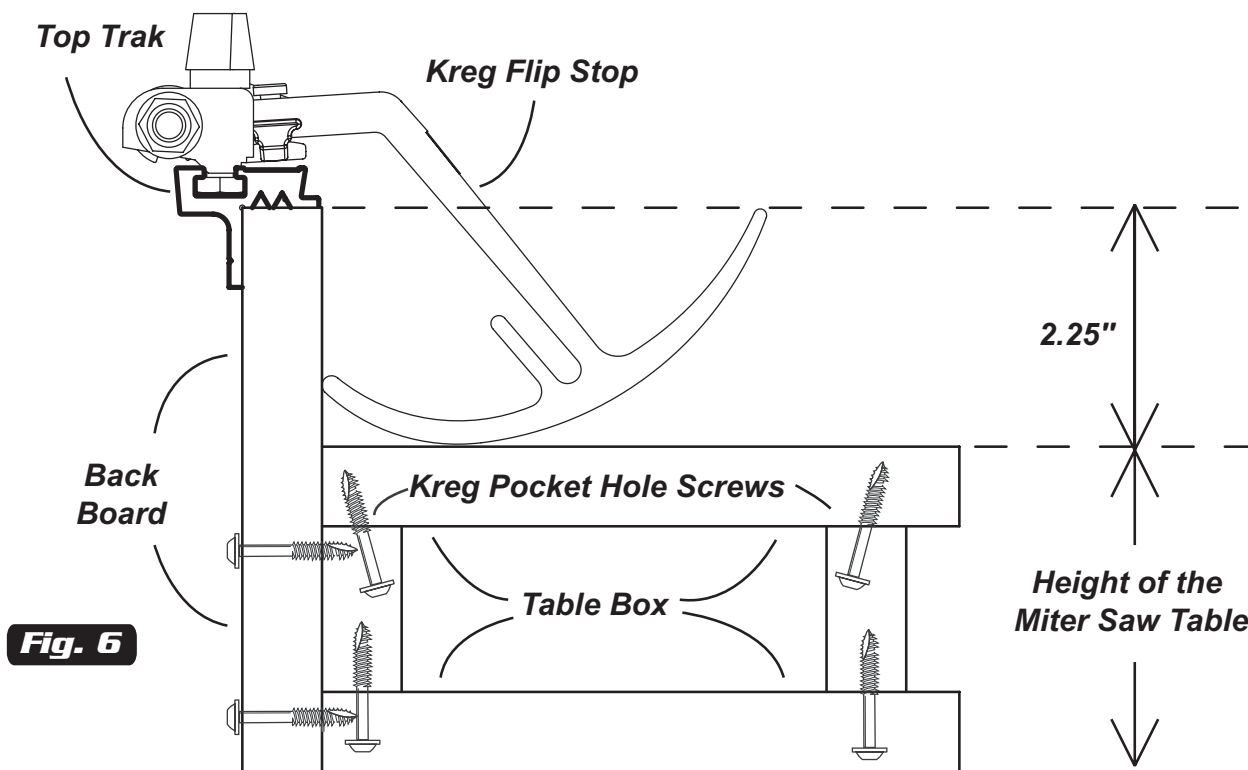
The table design allows you to customize the table height for your saw (see fig. 5). The table box should be the same height as your saw.

The Top Trak is screwed on top of the back board which is secured to the back of the table box with screws.

The height of the back board should be the height of the table box **PLUS 2.25"** (see fig. 6).

Figure 6 shows the top attached to the sides with 15 degree pocket holes. The bottom is also attached with pocket hole screws.

Top Trak can be used for drill press fence, radial saws, cut-off sleds, miter sleds and for jigs and fixtures.



Kreg Trak products are made in the USA and are protected by one or more of the following U.S. Patents: #5,337,641, #5,493,789, #5,617,909, and #5,768,966. Other patent applications are pending or granted.

Kreg™ KREG TOOL COMPANY
201 Campus Drive
Huxley, Iowa 50124

www.kregtool.com

800.447.8638