

SLOTTED PIANO HINGES

APPLICATION:

These continuous hinges are used on doors and lids when a stronger mount is desired than standard butt hinges provide.

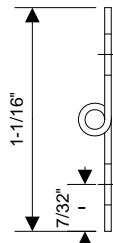
FEATURES:

- Available in Brass plated steel or Antique Brass plated steel
- Available in 1-1/16" or 1-1/2" widths
- Available in 36", 48", 60", or 72" lengths
- Joint length 1/2"
- Leaf thickness .040"
- Pin Diameter .091"
- Drilled for #5 flat head screws (supplied)
- Include elongated holes and standard round holes for easy adjustment during installation
- Holes are spaced 2" on center; end holes are elongated, 1" on center from hinge ends
- Hole patterns:
 72": 36 holes; 1, 9, 18, 27, 36 elongated
 60": 30 holes; 1, 11, 20, 30 elongated
 48": 24 holes; 1, 12, 24 elongated
 36": 18 holes; 1, 18 elongated

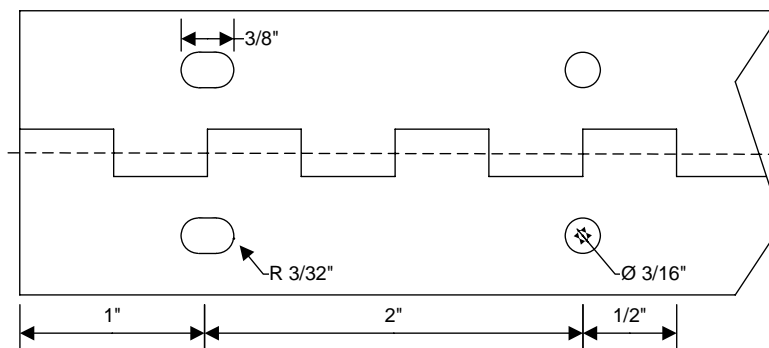
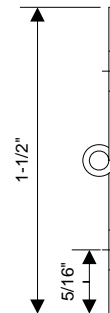
HINGE SELECTION:

Length	Width	Finish	SKU
36"	1-1/16"	Brass	19241
		Antique Brass	29493
		Nickel	37750
	1-1/2"	Brass	19283
		Antique Brass	21464
		Nickel	30085
Antique Copper		22050	
48"	1-1/16"	Brass	19259
		Antique Brass	20667
	1-1/2"	Brass	19291
		Antique Brass	24317
60"	1-1/2"	Brass	19308
		Antique Brass	20548
72"	1-1/16"	Nickel	33305
		Antique Copper	29316
	1-1/2"	Brass	19316
		Antique Brass	25310
		Nickel	39170
		Antique Copper	25949
	Charcoal Gray	32592	

1-1/16" Wide Hinges



1-1/2" Wide Hinges



Drawings not to scale

