

(25724)

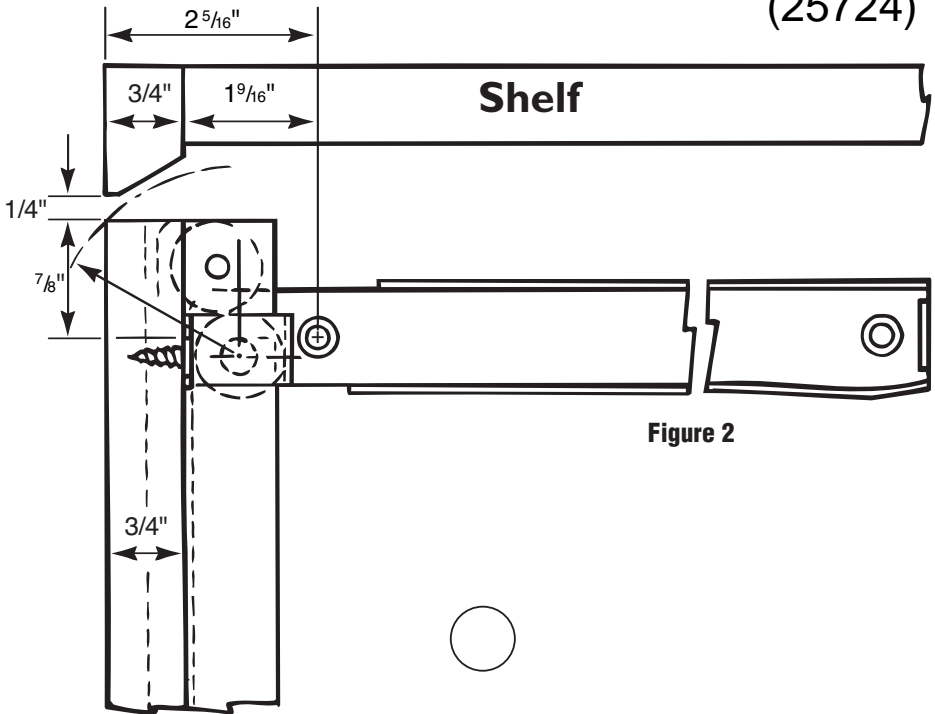


Figure 2

How to install:

1. Cut 1/2" wide x 5/16" deep rabbets on the back side of the left and right door edge.
2. Attach the door members to the back of each edge as shown in **Figure 1**. The end of the door member should be flush with the top of the door.
3. Mount the cabinet member to the cabinet wall using the positions indicated in **Figure 2**.
4. To install door, feed it onto the cabinet member rollers bottom edge first. (reverse removal instructions on front cover)

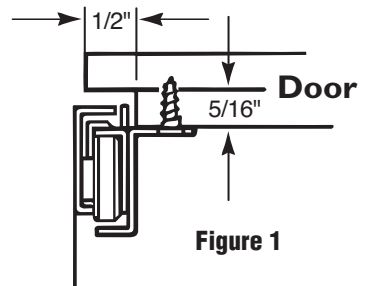


Figure 1

IMPORTANT NOTES:

- For inset doors only.
- Requires a removeable catch or stop block.
- These measurements are for 3/4" thick doors. Thicker doors will require different drawer runner placement.