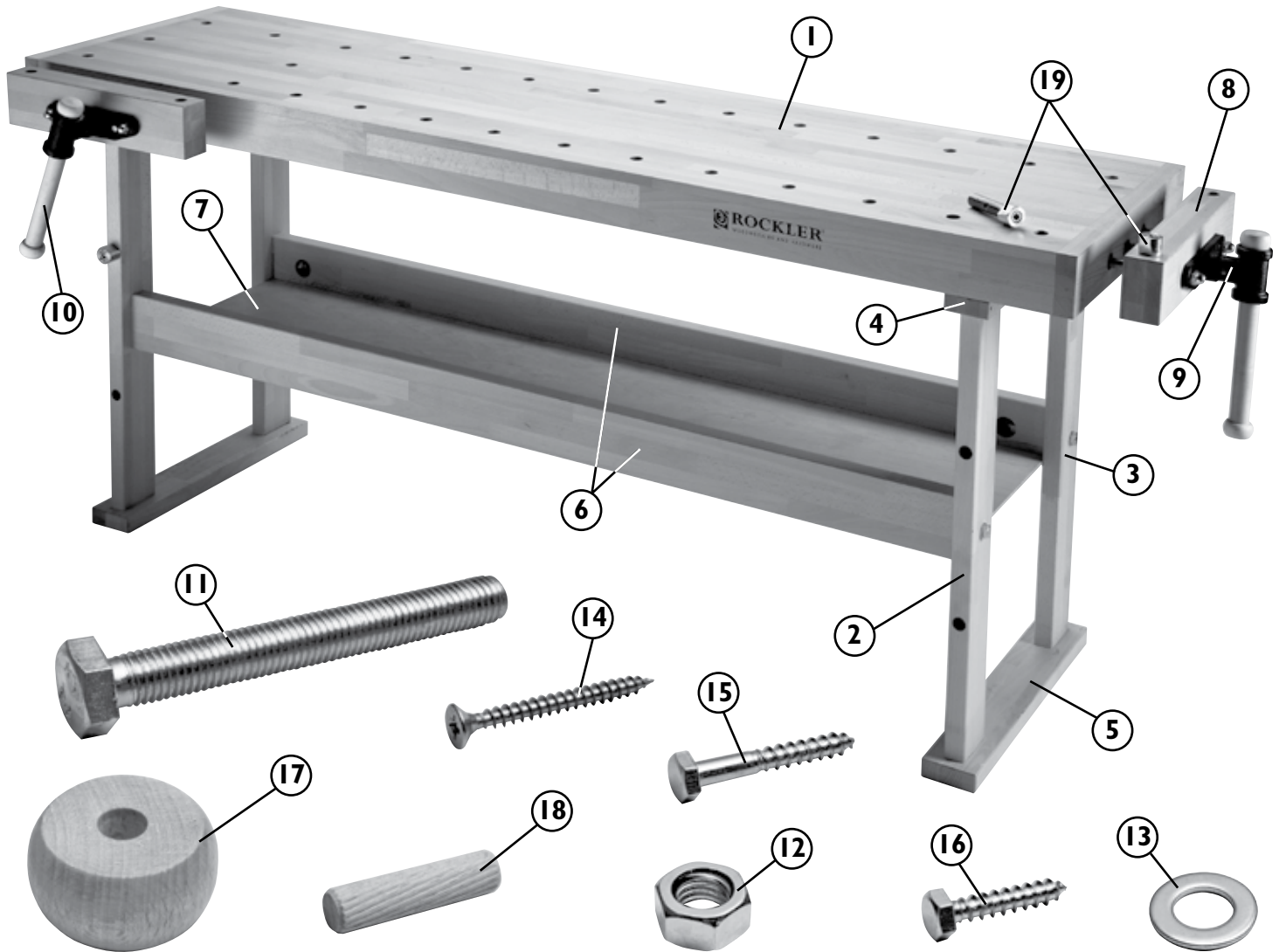


Beech Workbench Assembly Instructions



Parts list

Parts list	Quantity
1 Bench Top	1
2 Front Leg with Bench Dog Storage Holes	2
3 Back Leg	2
4 Top Rail Support	2
5 Base	2
6 Middle Stretchers	2
7 Center Shelf	1
8 Vise Face	2
9 Vise Assembly	2
10 Vise Handle	2

Hardware list

Hardware list	Quantity
11 M-12 x 100 Hex Bolt	4
12 M-12 Nut	4
13 Washer	4
14 5 x 50mm Wood Screw	4
15 Hex Head 6 x 40mm Bolt	4
16 Hex Head 6 x 30mm Bolt	8
17 Handle Ends	4
18 Dowels	28
19 Bench Dog	4
20 Glue (not shown)	1

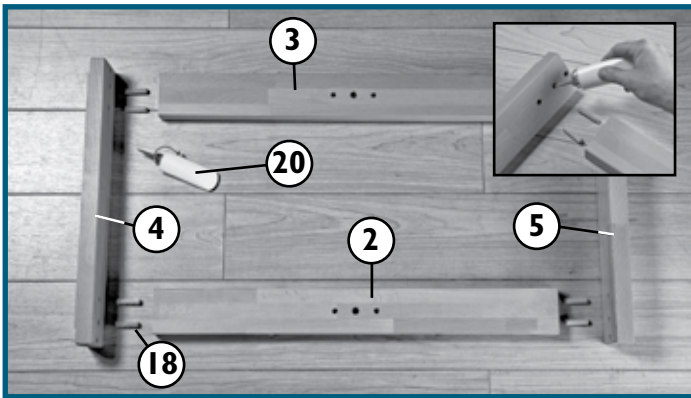


Fig. 1

Assembly Instructions:

1. Place Base (5), Top Rail Support (4), Back Leg (3) and Front Leg with Bench Dog Storage Holes (2) with dowel holes facing inward as shown (Fig. 1). Attach the Base and Top Rail Support to the Front Leg with Bench Dog Holes (2) and Back Leg (3) using four Dowels (18) and Glue (20) for each (see Fig. 1 inset photo). Use the inner holes. The outer hole on each side of the Top Rail Support (4) will later be used to attach the Bench Top (1). Repeat this process for the other leg assembly.
2. Slide the Center Shelf (7) into the grooves of both Middle Stretchers (6) as shown in Fig. 2.
3. Use two Dowels (18), an M-12 x 100 Hex Bolt (11), a Washer (13) and an M-12 Nut (12) to attach each Middle Stretcher (6) to the leg assembly (Fig. 3). The Middle Stretcher assembly can be mounted with the Center Shelf (7) on the top (as in Fig. 3) or bottom (as in Fig. 3 inset photo). Make sure the bench dog holes in the legs are all facing forward. Repeat this process for the other leg assembly.
4. Slide the Vise Assembly (9) through holes in the Vise Face (8) and Bench Top (1). Secure Vise Assembly (9) to the Bench Top (1) with four Hex Head 6 x 30mm Bolts (16) and to the Vise Face (8) with two 5 x 50mm Wood Screws (14). Feed the Vise Handle (10) through the Vise Assembly (9) and attach Handle Ends (17) with Dowels (18) (Fig. 4). Repeat this process to attach the other Vise Assembly to the front of the Bench Top.
5. Place the Bench Top (1) so it rests in place on the two leg assemblies. Attach to the Top Rail Supports (4) with four Hex Head 6 x 40mm Bolts (15), one in each corner (Fig. 5).

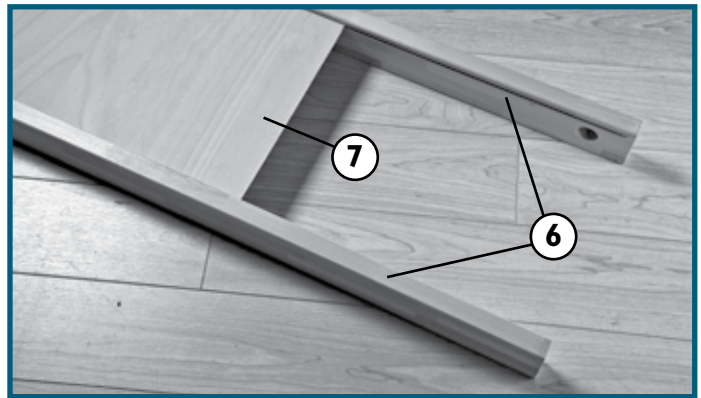


Fig. 2

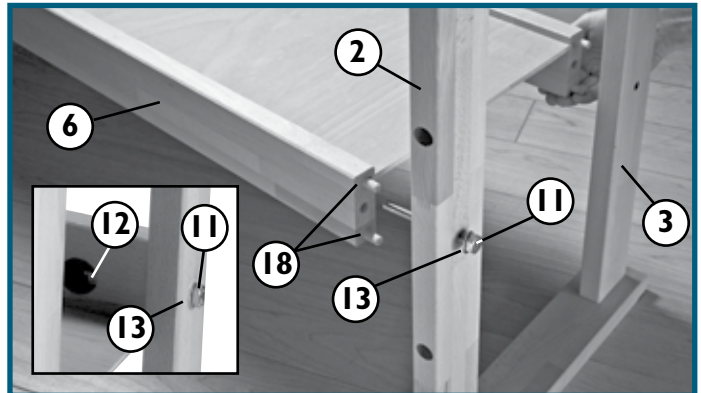


Fig. 3

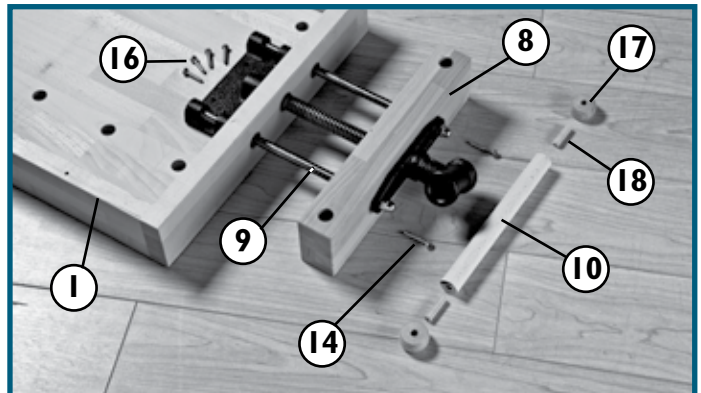


Fig. 4

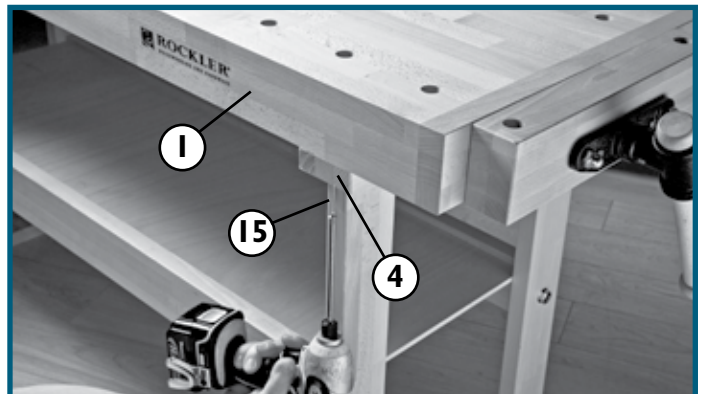


Fig. 5