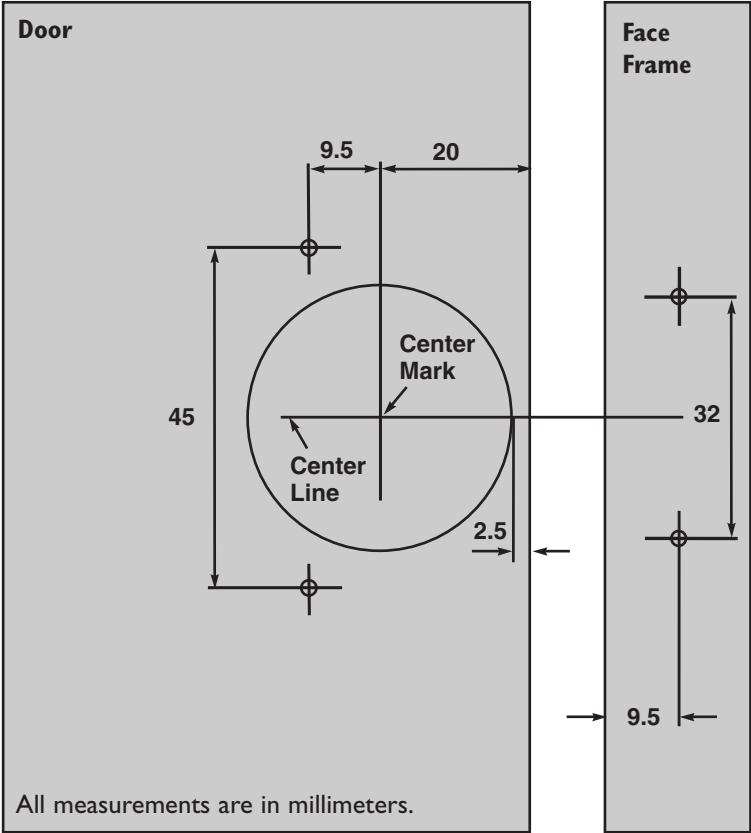
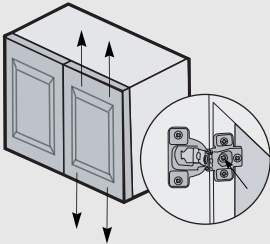


Excen-Three® Self-Closing Overlay Face Frame Hinges Drilling Template and Adjustments

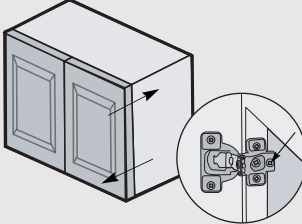


Height Adjustment.



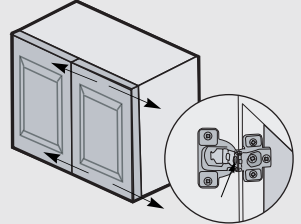
Turning this screw clockwise adjusts the door down; counterclockwise, up.

Depth Adjustment.



Turning this screw clockwise adjusts the door inward; counterclockwise, outward.

Lateral Adjustment.



Turning this screw clockwise adjusts the door to the right; counterclockwise, to the left.

33370 36647 35137
38012 32932 33216
33957

ROCKLER®
WOODWORKING AND HARDWARE

Create with Confidence™

© Rockler Companies Inc. 2008
RTD10314476AC

314476

Excen-Three® Self-Closing Overlay Face Frame Hinges Installation Instructions

1. Select the desired hinge location relative to the top and bottom of the door. Using the template, mark the center point for the hinge cup boring (20mm from edge) using an awl. Proceed to mark the location for additional hinges.

Fig. 1.

2. Using the center mark as a guide, drill the hinge cup hole to a depth of 11mm with a 35mm brad-point boring bit.

Important: The cup drilling depth must be a minimum of 11 mm or the hinge will not operate correctly.

3. Insert the Excen-three® hinge into the cup hole. Be sure that the hinge is perpendicular to the door edge. **Fig. 2.** Fasten using two of the included #6 x 5/8" wood screws. Repeat this procedure for each hinge.
4. Use the template to determine the location of the frame fixing screws. Drill two 1/8" pilot holes at this location for each hinge.
5. Align the hinges with the pre-bored pilot holes on the face frame. Fasten the hinge mounting plate to cabinet side using two of the included #6 x 5/8" wood screws. Repeat this procedure for each hinge.
6. See illustrations on back side for instructions on hinge adjustment. Adjust as needed.

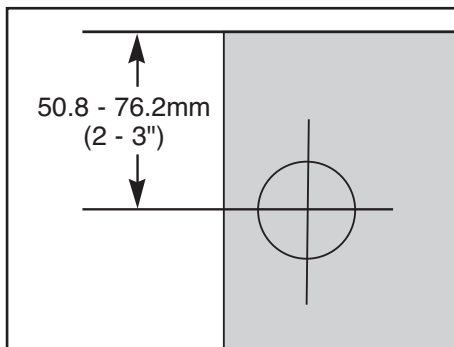


Fig. 1 - For best results, install hinge 2-3" from top of door.

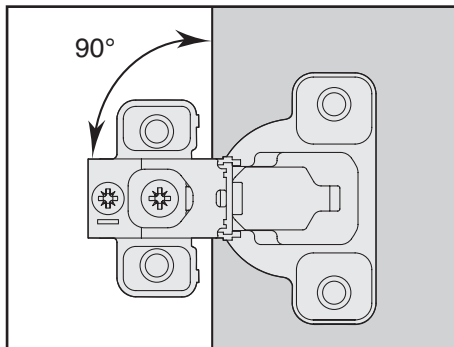


Fig. 2 - Hinge should be at a 90° angle to the door edge.

33370 36647
35137 38012
32932 33216
33957
Rev 07/09

ROCKLER®
WOODWORKING AND HARDWARE
Create with Confidence™

© Rockler Companies Inc. 2008

314476