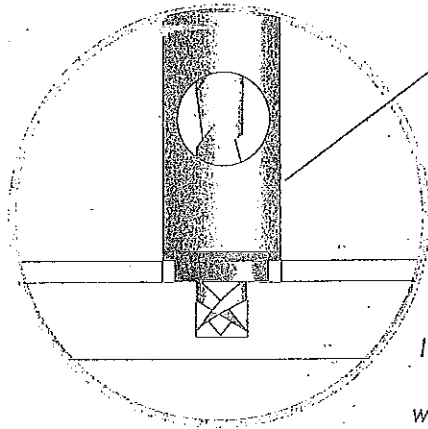


JIG IT! Template and Rockler Multi-Pos self-centering bits deliver perfectly spaced and centered shelf pins holes—every time.

Guaranteed accuracy and speed for all your shelving projects. This jig precisely spaces shelf pin holes either $1\frac{7}{16}$ " (37mm) or $2\frac{1}{2}$ " (64mm) from the edge and $1\frac{1}{4}$ " (32mm) apart. Extend the range to any length (see instructions below). Designed for both face frame and frameless applications. Use with $1/4$ " and 5mm self-centering bits for shelf pins, and our new $7/32$ " and $9/32$ " for pin sleeves.

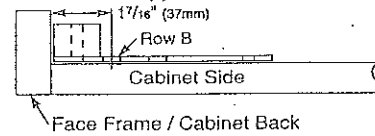


Self-centering bit designed specifically for Rockler Shelf Pin Drilling Template

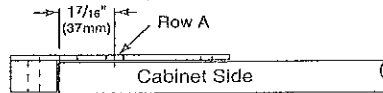
Unique design can be used to drill $1/4$ ", 5mm, $7/32$ " or $9/32$ " holes with this same jig!

$1\frac{7}{16}$ " (37mm) Setback Applications

Face Frame Application



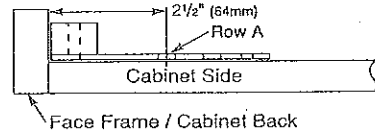
Frameless Application



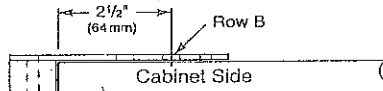
Drilling template works equally well for Face-Frame or Frameless construction — on new or existing cabinetry.

$2\frac{1}{2}$ " (64mm) Setback Applications

Face Frame Application



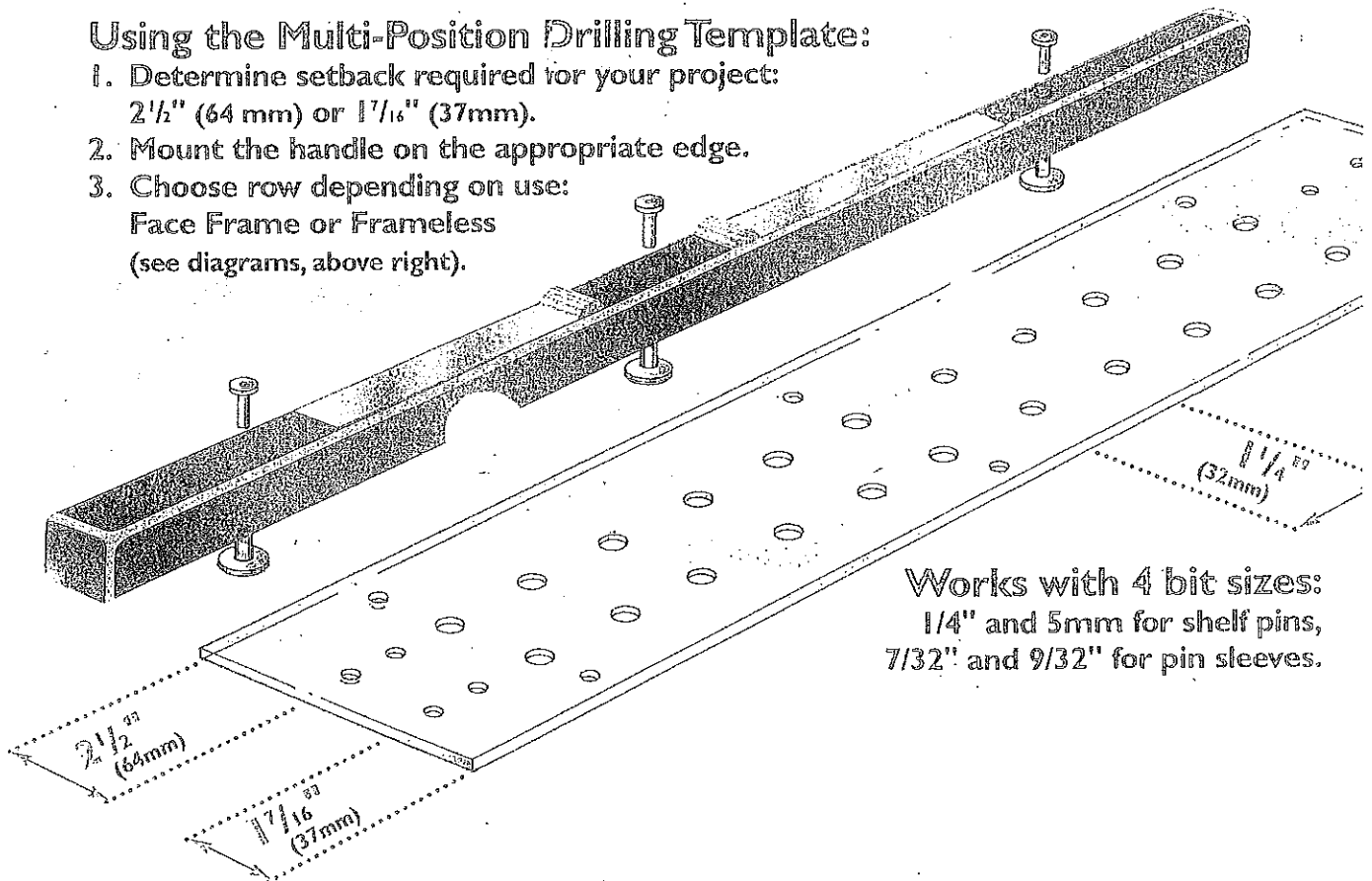
Frameless Application



Quickly and easily adjust handle to either standard drilling setback — $1\frac{7}{16}$ " or $2\frac{1}{2}$ ".

Using the Multi-Position Drilling Template:

1. Determine setback required for your project:
 $2\frac{1}{2}$ " (64 mm) or $1\frac{7}{16}$ " (37mm).
2. Mount the handle on the appropriate edge.
3. Choose row depending on use:
Face Frame or Frameless
(see diagrams, above right).



Works with 4 bit sizes:
 $1/4$ " and 5mm for shelf pins,
 $7/32$ " and $9/32$ " for pin sleeves.