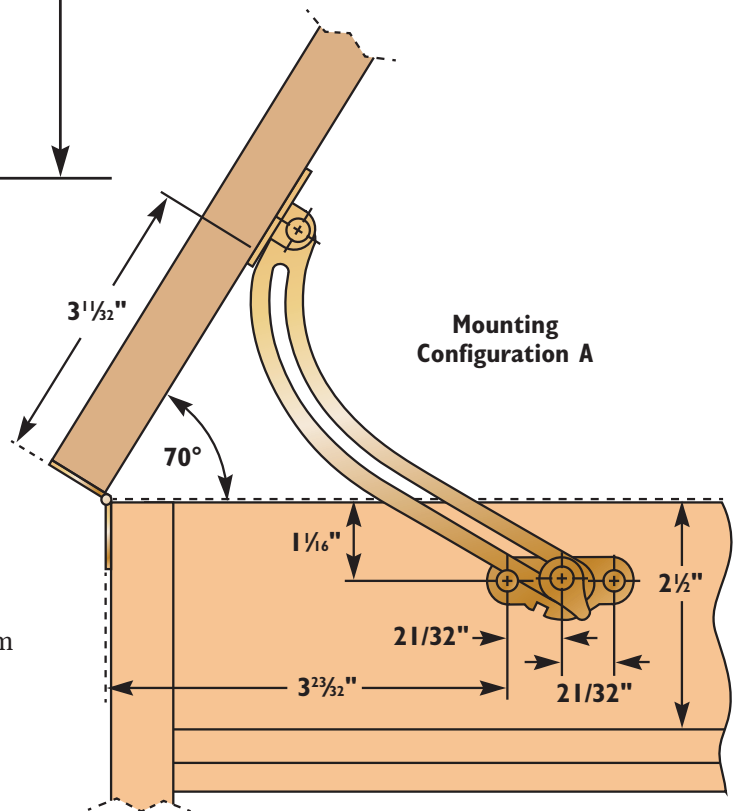


Hinges must be mounted to both box and lid before attempting to mount the Lid Support. All measurements for mounting bracket locations are from the center of the hinge barrel, not from the edge of the box lid or side.

1. Prop open the lid and mark a short layout line $3\frac{11}{32}$ " up from the center of the hinge barrel.
2. **Mounting Configuration A:** On the inside face of the box side, make a mark $1\frac{1}{16}$ " down and $3\frac{23}{32}$ " in from the center of the hinge barrel. Then make a second mark $1\frac{1}{16}$ " down and $5\frac{1}{2}$ " in from the center of the hinge barrel. These are the screw locations for the sliding mounting bracket.



Mounting Configuration B: On the inside face of the box side, make a mark 1" down and 2⁷/₈" in from the center of the hinge barrel. Then make a second mark 1/2" down and 4" in from the center of the hinge barrel. These are the screw locations for the sliding mounting bracket.

Mounting Configuration C: On the inside face of the box side, make a mark 1³/₈" down and 2⁷/₈" in from the center of the hinge barrel. Then make a second mark 9/16" down and 3³/₁₆" in from the center of the hinge barrel. These are the screw locations for the sliding mounting bracket.

3. Drill pilot holes for the included #5 x 5/8" brass screws at the locations you marked in Step 2.

4. Attach the sliding mounting bracket to the box side with the included #5 x 5/8" brass screws.
5. Moving to the lid, position the other mounting bracket so that its bottom screw hole is centered on the line you marked in Step 1. Mark that location, as well as the location for the top screw.
6. Drill pilot holes at those locations and attach the mounting bracket to the lid with the included #5 x 5/8" brass screws.

Check Rockler.com for updates. If you have further questions, please contact our Technical Support Department at 1-800-260-9663 or support@rockler.com

