

# Dust RIGHT<sup>®</sup>

## Vacuum Harness Assembly Instructions

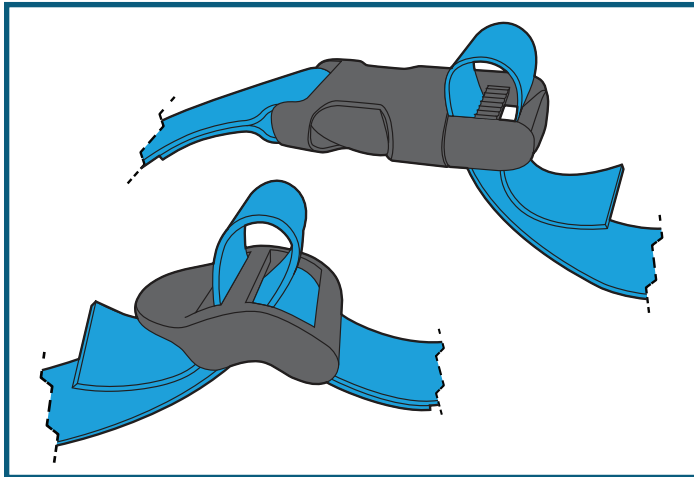


Fig. 1

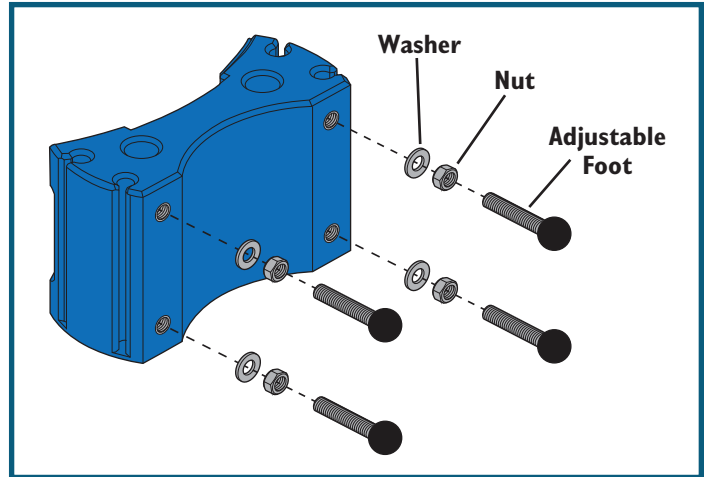


Fig. 2

1. Assemble the Straps as shown in Fig. 1.
2. Thread a Nut and Washer onto the post of each Adjustable Foot and thread each Adjustable Foot into the Body. Fig. 2. You will finalize the position of these and tighten them later.
3. Buckle and lay out the Straps so that the strap adjusters will face out when the Straps are installed.
4. Insert a Strap Pin in the loop at one end of one of the Straps and then insert the Strap Pin in the round slot in the Body, again making sure that the Strap Adjusters will face out when the Straps are installed. Feed the Strap into the slot and push down on the Strap Pin until it snaps into place. Fig. 3.
5. Insert a Strap Pin in the loop at the other end of the Strap and then insert the Strap Pin in the round slot at the other end on the same side of the Body and snap it into place. Fig. 3.
6. Repeat Steps 4 and 5 for the other Strap on the other side of the Body.
7. Unbuckle the Strap on the side opposite the Adjustable Feet and fit the Strap around your Dust Right<sup>®</sup> Separator (45556, sold separately). Buckle and adjust the Strap to achieve a snug fit. The Straps can be adjusted up and down along the Strap Pins if needed.
8. Unbuckle the other Strap and position your shop vacuum against the Adjustable Feet. Thread the Adjustable Feet in or out as needed to provide stable contact with your shop vacuum. Tighten the Nuts.

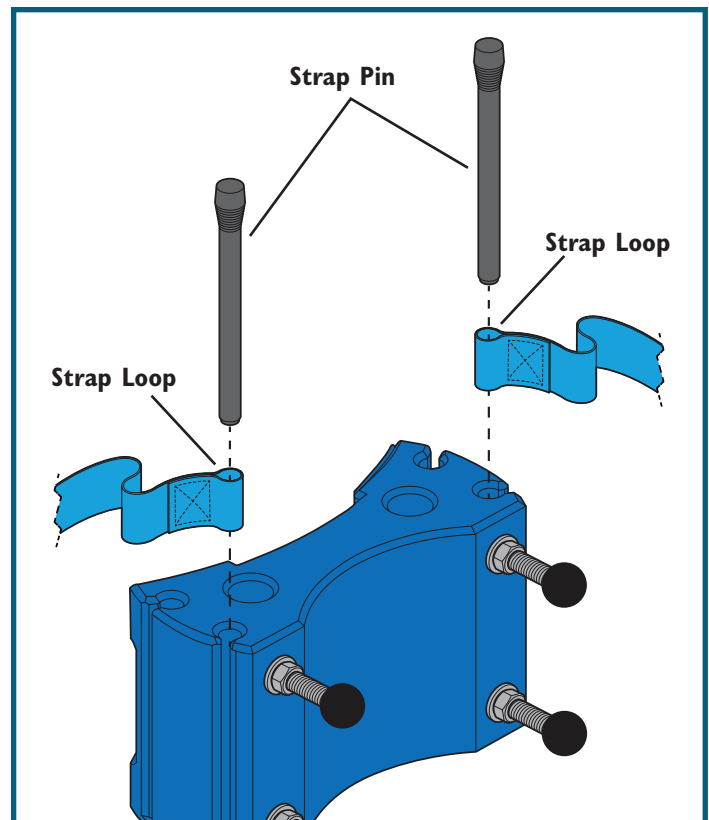


Fig. 3

9. Buckle and adjust the Strap around your shop vacuum to achieve a snug fit.

Check Rockler.com for updates. If you have further questions, please contact our Technical Support Department at 1-800-260-9663 or support@rockler.com

PLEASE SEE OTHER SIDE FOR IMPORTANT SAFETY WARNINGS

## GENERAL SAFETY WARNINGS

This product is designed for specific applications as defined in the instructions and should not be modified and/or used for any other applications. Before using the Vacuum Harness, read, understand and follow all instructions and safety information provided. **KEEP THESE INSTRUCTIONS FOR FUTURE REFERENCE.**

- > Always confirm that you are using the most recent version of the Instructions and safety warnings for your product. To find the most recent version, find the product page on Rockler.com and click on the link to the Instructions.
- > For any tool used in conjunction with this product, always read, understand and follow the instructions and safety warnings in the owner's manual for that tool. If you do not have the owner's manual, obtain one from the tool's manufacturer before using it with this product.
- > Before using this product, review and verify that all tools to be used with it have safety equipment installed and are in proper working order as defined by the tools' owner's manuals.
- > Do not use this product until you have read and are confident you understand the instructions.
- > Do not use this product in any manner other than what is described in these instructions. Use only recommended accessories.
- > Remain alert and use good judgment when using this tool. Do not use this tool if you are in any way impaired by medications, alcohol, drugs or fatigue.
- > Dress appropriately and remove all jewelry, secure loose clothing and tie up long hair before using this tool.
- > It is the sole responsibility of the purchaser of this product to ensure that any third party whom you allow to use this product reads and complies with all the instructions and safety precautions outlined in this manual prior to use.
- > Maintain these instructions and warnings as long as you own the product. Keep this booklet in a place where it will be readily available for reference.
- > The user assumes all risk and responsibility for the proper use of this product and for ensuring product suitability for intended application.
- > Always wear safety glasses in compliance with ANSI safety standards and hearing protection and follow all standard shop safety practices, including:
  - Keep your work area well lit and clean;
  - Unplug all power tools before making any adjustments or changing accessories;
  - Use dust collection tools and dust face masks to reduce exposure to dust;
  - Use accessory safety equipment such as featherboards, push sticks and push blocks whenever appropriate;
  - Do not use power tools in explosive environments (e.g., in the presence of flammable liquids, fumes or dust);
  - Keep children and bystanders away from the tool operating area;
  - Maintain proper footing at all times and do not overreach;
  - Do not force the tool.
- > These warnings and instructions do not represent the total of all information available regarding tool safety, use and technique. Please read the full manual before using this product and always seek out opportunities to learn more and improve your skills and knowledge.

**⚠ WARNING:** Drilling, sawing, sanding or machining wood products can expose you to wood dust, a substance known to the State of California to cause cancer. Avoid inhaling wood dust or use a dust mask or other safeguards for personal protection. For more information go to [www.P65Warnings.ca.gov/wood](http://www.P65Warnings.ca.gov/wood).

**⚠ DANGER** Danger indicates a hazardous situation that, if not avoided, will result in death or serious injury.

**⚠ WARNING** Warning indicates a hazardous situation that, if not avoided, could result in death or serious injury.

**⚠ CAUTION** Caution indicates a hazardous situation that, if not avoided, may result in minor or moderate injury or property damage.

**NOTICE** Notice indicates important or helpful information and/or user tips.

BP0617